

OCR640e Desktop

Full-Page Document Imager and eMRTD Reader



READS MRZ AND SIMULTANEOUSLY PROCESSES RFID

The OCR640e Desktop is a full-page, multi-illumination ePassport reader. It captures ultraviolet and infrared images as well as the full page of a passport in color. In a simultaneous single action, the reader also decodes the machine readable zone (MRZ) and processes RFID data – including the holder's image – from the chip.

FAST AND ACCURATE DOCUMENT READING

The OCR640e automatically detects when a document with machine readable data has been presented. Additionally, it is able to compensate for out-of-position MRZ data, so that the advanced recognition engine reliably provides highly accurate and very fast document reading capability, allowing large volumes of documents and smart cards to be processed quickly and efficiently.

USER FEEDBACK FOR INTUITIVE OPERATION

The unit features blue, amber, green and red LEDs to inform the user of status: ready to scan, processing, successful scan, or to indicate an issue with the document. The unit can be programmed to provide audible feedback to confirm a successful read, signal premature removal of a document and flag a variety of data details. The OCR640e has a compact, robust design and is designed for years of heavy-duty, frontline use.

APPLICATIONS

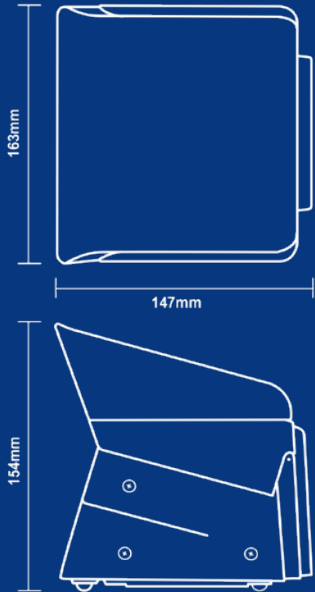
- Border control, immigration and law enforcement
- Banking & mobile network operators (KYC & AML)
- Gaming and liquor stores (age verification)
- Document & visa issuance
- Tax refunds and money exchange (data capture)
- Hotel, airport and car rental check-In



FEATURES:

- **Image Capture** - Captures high-resolution images in multiple wavelengths – Visible, IR and UV
- **Contactless Capability** - ISO 14443 contactless RFID reader/writer supports ICAO LDS standards including BAC, PA, AA, EAC and SAC
- **Space Saving** - Designed to fit on a desktop for ultimate flexibility, OEM version also available
- **Reads From Any Media** - 1D/2D barcodes read from smartphones, tablets, smart watches and paper documents
- **MRZ Reading** - Reads from ICAO 9303 compliant documents including e-Passports, ID cards & visas as well as ISO 18013 compliant driving licenses

OCR640e Desktop



FEATURES

Connection Types

USB

Image Capture

- Visible
- Ultraviolet*
- Infrared

Technology

- NFC / RFID
- QR/Barcode*
- ABC OCR

[Learn more >>](#)

[Contact sales >>](#)

OCR640e Desktop

READING CAPABILITIES	
OCR (Optical Character Recognition)	Standard OCR fonts: OCR-B Machine readable passports (MRP): 2 lines of 44 characters to ICAO 9303 Machine readable visas (MRV): 2 lines of 44 characters, 2 lines of 36 characters to ICAO 9303 Travel documents: 2 lines of 36 characters, 3 lines of 30 characters
Imaging	Active scan area: 132mm x 88mm Illumination source: Near IR B900, UV LED's Resolution: 400 DPI Image Capture: (Half-page) JPG, BMP, TIFF, PNG
Barcode Reading (Option)	Linear (1D): EAN / UPC, Code 2 of 5, Interleaved 2 of 5, IATA 2 of 5, Code 39, Code 128 * 2D: IATA resolution 792, PDF417, Aztec, DataMatrix and QR codes * * Full list of supported barcodes available upon request
Contactless RFID Reading (option)	Interoperability: ICAO DOC 9303, LDS1.7, ISO18013 (Driving Licence), PA, AA, BAC, EAC v1.11 (CA, TA), EAC v2.0x (PACE v2, ICAO SAC, CA v2, TA v2) Operating frequency: 13.56 MHz Supported documents: ISO 14443 type A & B auto-detecting; secure and high-speed data transmission; Mifare memory card support (Mifare ultralight, 1K, 4K cards) App. interface: PC/SC compliant device
Contact Smart Card Reading (option)	Number of ID-1 (smart card) slots: 1 Number of ID-000 (SAM) slots: 2 Compliance: ISO 7816, T=0, T=1 App. interface: PC/SC compliant device
ELECTRONIC	
Power Supply	Input voltage: +24VDC via DC jack Cable: Detachable host cable
Communications & Host	Communication: USB 2.0 high speed Host: Windows 7 and above, Win 32/64 bit; Pentium-4 3GHz and 2GB RAM min
PHYSICAL	
Dimensions	6 x 6 x 6 in (163 x 147 x 154 mm)
Body	Dark Grey ABS
Glass Platen	4mm Toughened Conturan - BS EN60068-2-75 & IEC 62262:2002, rated to 6.375J impact
Weight	2 lbs. (850g)
Security	Kensington® security slot
THERMAL (AIR)	
Temperature	Operating 32°F to 122°F (0°C to 50°C)
Storage	32°F to 140°F (0°C to 60°C)
Humidity	0-95% non-condensing
APPROVALS	
FCC 47CFR Part 15 Subpart B Class A, EN 55022 Class B, EN 55024, FCC 47CFR Part 15 Subpart C, ETSI EN 302 291, EN 60950-1	



hidglobal.com

North America: +1 512 776 9000 | Toll Free: 1 800 237 7769
Europe, Middle East, Africa: +44 1440 714 850
Asia Pacific: +852 3160 9800 | Latin America: +52 (55) 9171-1108
For more global phone numbers click here

© 2025 HID Global Corporation/ASSA ABLOY AB. All rights reserved.
2025-10-03-bio-ocr640e-reader-ds-en PLT-06280
Part of ASSA ABLOY