



Newland

SCANNING MADE SIMPLE



EM3396

OEM scan engine
integration guide

Disclaimer

© 2016-2018 Fujian Newland Auto-ID Tech. Co., Ltd. All rights reserved.

Please read through the manual carefully before using the product and operate it according to the manual. It is advised that you should keep this manual for future reference.

Do not disassemble the device or remove the seal label from the device, doing so will void the product warranty provided by Fujian Newland Auto-ID Tech. Co., Ltd.

All pictures in this manual are for reference only and actual product may differ. Regarding to the product modification and update, Fujian Newland Auto-ID Tech. Co., Ltd. Reserves the right to make changes to any software or hardware to improve reliability, function, or design at any time without notice. The information contained herein is subject to change without prior notice.

The products depicted in this manual may include software copyrighted by Fujian Newland Auto-ID Tech. Co., Ltd or third party. The user, corporation or individual, shall not duplicate, in whole or in part, distribute, modify, decompile, disassemble, decode, reverse engineer, rent, transfer or sublicense such software without prior written consent from the copyright holders.

This manual is copyrighted. No part of this publication may be reproduced, distributed or used in any form without written permission from Newland.

Fujian Newland Auto-ID Tech. Co., Ltd. Reserves the right to make final interpretation of the statement above.

Fujian Newland Auto-ID Tech. Co., Ltd.

3F, Building A, No.1, Rujiang West Rd., Mawei, Fuzhou, Fujian, China 350015

<http://www.newlandaidc.com>

Revision History

Version	Description	Date
V1.0.0	Initial release.	July 27, 2016
V1.0.1	1. Deleted the “Ambient Environment” section in Chapter 2. 2. Modified the “Operating Voltage” and “Operating Current” sections in Chapter 3.	October 26, 2016
V1.0.2	Updated the front, side and bottom views in Chapter 2.	June 28, 2018
V1.0.3	1. Updated the “Window Size” section in Chapter 2. 2. Added the “Timing Sequence” section in Chapter 3.	August 8, 2018
V1.0.4	Updated the “DC Characteristics” section in Chapter 3.	November 19, 2018

Table of Contents

Chapter 1 Introduction.....	1
Overview	1
Illumination	1
Aimer	1
Chapter 2 Installation.....	2
General Requirements.....	2
ESD.....	2
Dust and Dirt.....	2
Ambient Environment	3
Thermal Considerations.....	3
Installation Orientation.....	3
Optics	4
Window Placement.....	4
Window Material and Color	4
Scratch Resistance and Coating	5
Window Size	5
Ambient Light.....	6
Eye Safety.....	6
Mounting (unit: mm)	7
Front View.....	7
Side View	7
Bottom View.....	8
Chapter 3 Electrical Specifications	9
Power Supply	9
Ripple Noise.....	9
DC Characteristics	10
Operating Voltage / Current.....	10

I/O Voltage	10
Timing Sequence	11
Chapter 4 Interfaces.....	12
Host Interface Connector	12
Dimensions of the Host Interface Connector (unit: mm)	13
FFC Cable (unit: mm)	14
Communication Interfaces	15
Control Interface.....	16
Reset.....	16
Trigger.....	16
Beeper	17
Good Read LED	18
Chapter 5 Development Tools	19
EVK	19

Chapter 1 Introduction

Overview

The NLS-EM3396 OEM scan engine (hereinafter referred to as “**the EM3396**” or “**the engine**”), armed with the Newland patented **UIMG**, a computerized image recognition system, brings about a new era of 2D barcode scan engines.

The EM3396’s 2D barcode decoder chip ingeniously blends **UIMG** technology and advanced chip design & manufacturing, which significantly simplifies application design and delivers superior performance and solid reliability with low power consumption.

The EM3396 supports all mainstream 1D as well as PDF417, QR Code (QR1, QR2, Micro QR), Chinese Sensible Code, Data Matrix and GS1-DataBar™(RSS) (Limited/ Stacked/ Expanded versions).

Illumination

The EM3396 has two red LEDs for supplementary lighting. The illumination can be programmed On or Off.

The EM3396 uses red LEDs for illumination, so the engine shows better reading performance on barcodes printed in non-red colors. For applications involving red barcodes, it is advised to turn off the engine’s illumination and use non-red supplementary lighting (such as green) instead. The user can conduct some tests to determine the proper wavelengths to be used.

Aimer

The EM3396 contains a laser aimer that produces a crosshair aiming pattern to help the user to easily position the target barcode within the engine’s field of view to increase scan efficiency. The aiming pattern can be turned On or Off. It is advisable to turn it on when scanning barcodes.

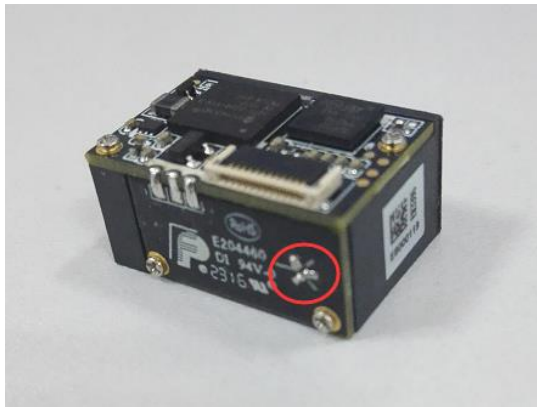
Chapter 2 Installation

General Requirements

ESD

ESD protection has been taken into account when designing the EM3396 and the engine is shipped in ESD safe packaging. Always exercise care when handling the engine outside its package. Be sure grounding wrist straps and properly grounded work areas are used.

Note: The EM3396's laser diode (circled in the figure below) is ESD sensitive and rated Class 1A Human Body Model (HBM) 270V, thus ESD protection measures, such as the ones mentioned above, must be taken when handling or installing the EM3396 to avoid damage to the laser diode.



Dust and Dirt

The EM3396 must be sufficiently enclosed to prevent dust particles from gathering on the lens, circuit boards and LEDs. Dust and other contaminants will eventually degrade the engine's performance.

Ambient Environment

The following environmental requirements should be met to ensure good performance of the EM3396:

Operating Temperature	-20°C to 55°C
Storage Temperature	-40°C to 70°C
Humidity	5% ~ 95% (non-condensing)

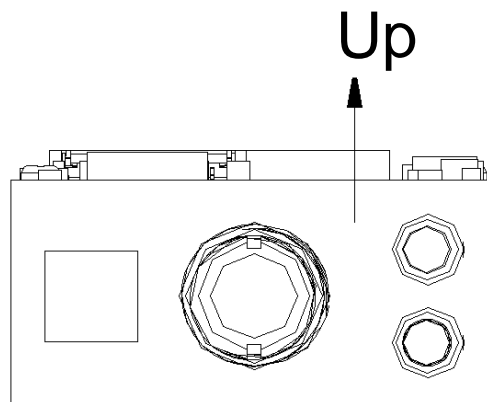
Thermal Considerations

Electronic components in the EM3396 will generate heat during the course of their operation. Operating the EM3396 continuously for an extended period may cause temperatures to rise on CIS and decoder chip. The following precautions should be taken into consideration when integrating the EM3396.

- ◇ Reserve sufficient space for good air circulation in the design.
- ◇ Avoid wrapping the EM3396 with thermal insulation materials such as rubber.

Installation Orientation

There are two threaded mounting holes in the bottom of the EM3396 for fastening the engine to a mounting surface with machine screws. The following figure illustrates a front view of the EM3396 after correct installation.

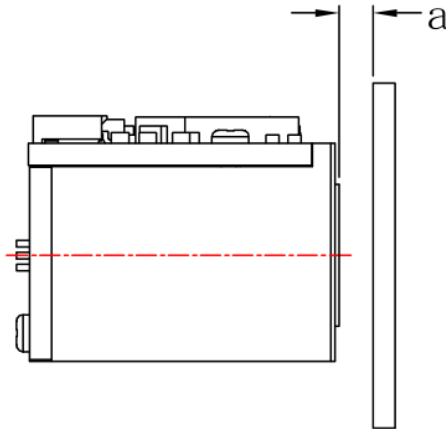


Optics

Window Placement

The window should be positioned properly to let the illumination and aiming beams pass through as much as possible and no reflections back into the engine (reflections can degrade the reading performance).

The window should be mounted close to the front of the engine (parallel). The maximum distance is measured from the front of the engine housing to the farthest surface of the window. In order to reach better reading performance, the distance from the front of the engine housing to the nearest surface of the window should not exceed **a** (**a** = 0.6mm) and the thickness of window should not exceed 2mm.



If the window is required to be in a tilted position, the above distance requirements should be met and tilt angle should ensure no reflections back into the lens.

Window Material and Color

CIS's responsiveness (mainly to wavelengths of red light) should be taken into consideration when choosing window material and color, in order to achieve the possible highest spectral transmission, lowest haze level and homogeneous refractive index. It is suggested to use PMMA or optical glass with spectral transmittance of red light over 90% and haze less than 1%. Whether to use an anti-reflection coating or not depends on the material and application needs.

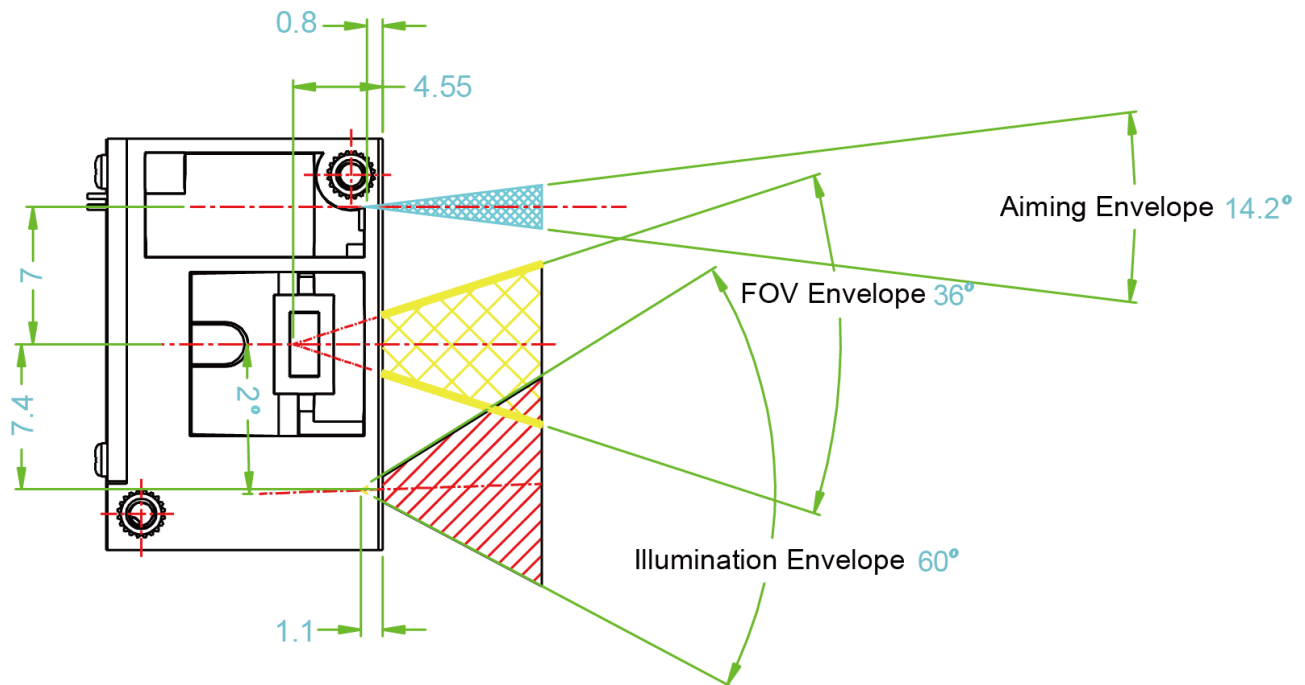
Scratch Resistance and Coating

Scratch on the window can greatly reduce the performance of the EM3396. It is suggested to use abrasion resistant window material or coating.

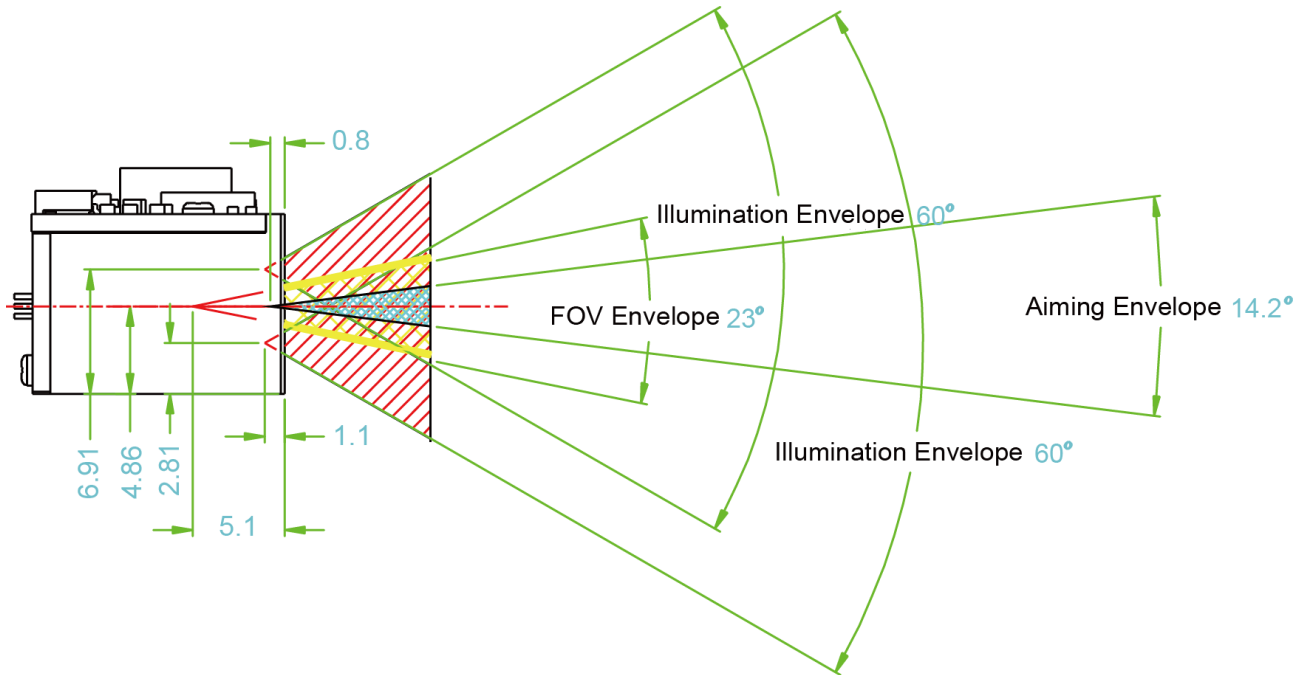
Window Size

The window must not block the field of view and should be sized to accommodate the aiming and illumination envelopes shown below.

Horizontal:



Vertical:



Ambient Light

The EM3396 shows better performance with ambient light and it is well able to handle the flicker in fluorescent lights using 50-60Hz AC power. However, high-frequency pulsed light can result in performance degradation.

Eye Safety

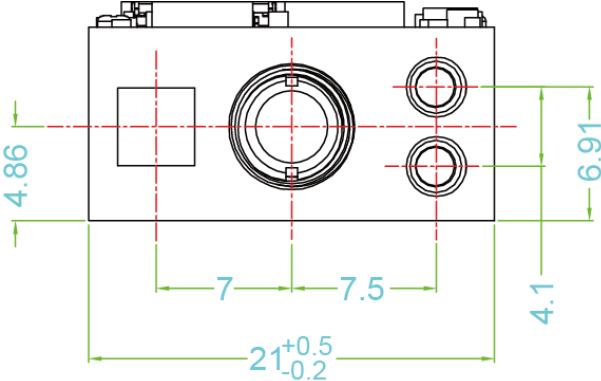
The EM3396 uses red LEDs to create illumination beam. The LEDs are bright, but testing has been done to demonstrate that the engine is safe for its intended application under normal usage conditions. However, the user should avoid looking into the beam.

The EM3396 uses a laser diode to form a bright, intuitive aiming aid. It is hazardous to stare into the laser beam.

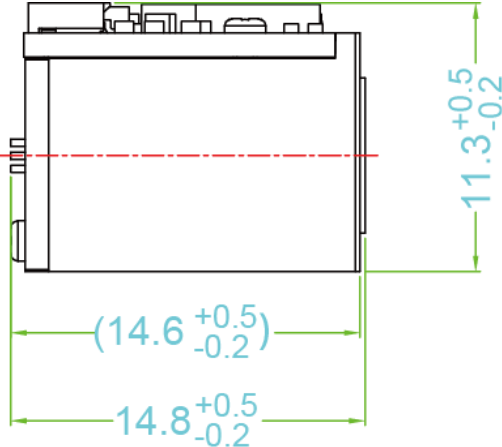
Mounting (unit: mm)

The illustrations below show the mechanical mounting dimensions for the EM3396. The structural design should leave some space between components.

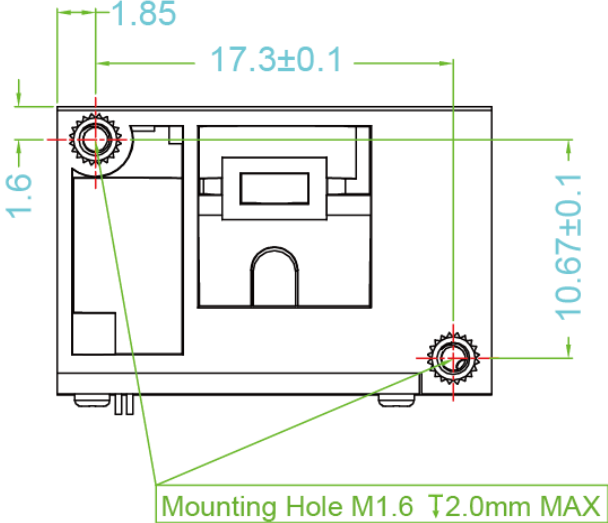
Front View



Side View



Bottom View



Chapter 3 Electrical Specifications

Power Supply

Do not power up the EM3396 until it is properly connected. Be sure the power is cut off before connecting a flexible cable to or disconnecting a flexible cable from the host interface connector. Hot-plugging could damage the engine.

Unstable power supply or sharp voltage drops or unreasonably short interval between power-ons may lead to unstable performance of the engine. Do not resupply the power immediately after cutting it off. The minimum interval must exceed 2 seconds.

Ripple Noise

Image sensor and decoder chip are directly fed by the input power of EM3396. To ensure the image quality, a power supply with low ripple noise is needed.

Acceptable ripple range (peak-to-peak) : $\leq 50\text{mV}$ ($\leq 30\text{mV}$ recommended).

DC Characteristics

Operating Voltage / Current

T=23°C

Parameter	Description	Minimum	Typical	Maximum	Unit
Operating Voltage	VIN	3.0	3.3	3.6	V
Current (@3.3V)	Operating Current	-	142	204	mA
	Idle Current	-	11	-	mA
	Sleep Current	-	<100	-	uA

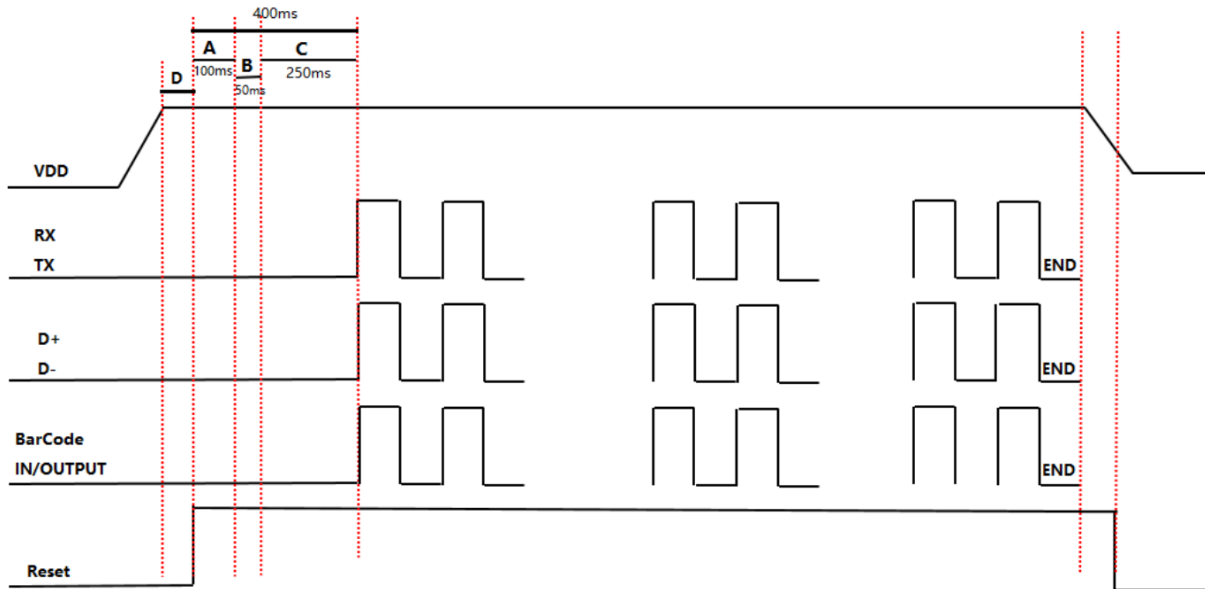
I/O Voltage

V_{DD}=3.3V, T=23°C

Parameter	Minimum	Maximum	Unit
V _{IL}	-	0.5	V
V _{IH}	V _{DD} -0.5	-	V
V _{OL}	-	0.3	V
V _{OH}	V _{DD} -0.3	-	V

Timing Sequence

The following diagram indicates the typical timing for the Power-up sequence of the engine.



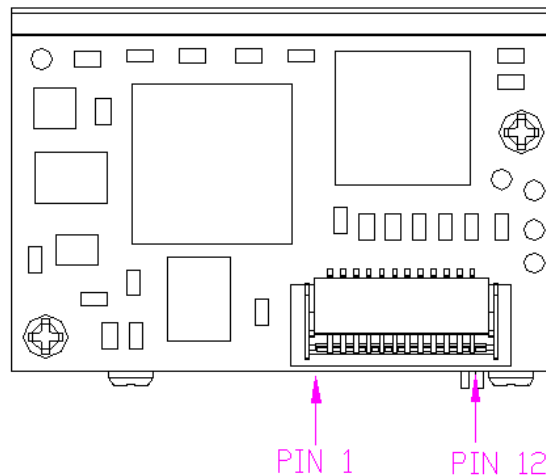
Notes:

1. In the diagram above, it takes about 400ms for the engine to power up: **A** - time needed to choose the boot mode; **B** - time needed to boot the kernel; **C** – time needed to initialize decoder chip.
2. In the diagram above, **D** shows the reset time. If no additional operation is performed to manipulate the Reset signal, the power-up time can be measured from the point when VDD reaches 3.3V.
3. Before powering off the engine, ensure that data transmission via its communication interface(s) is complete to prevent transmission errors.
4. Before powering on the engine, ensure that all the signals remain low to prevent current from flowing backwards to affect the performance of the engine.

Chapter 4 Interfaces

Host Interface Connector

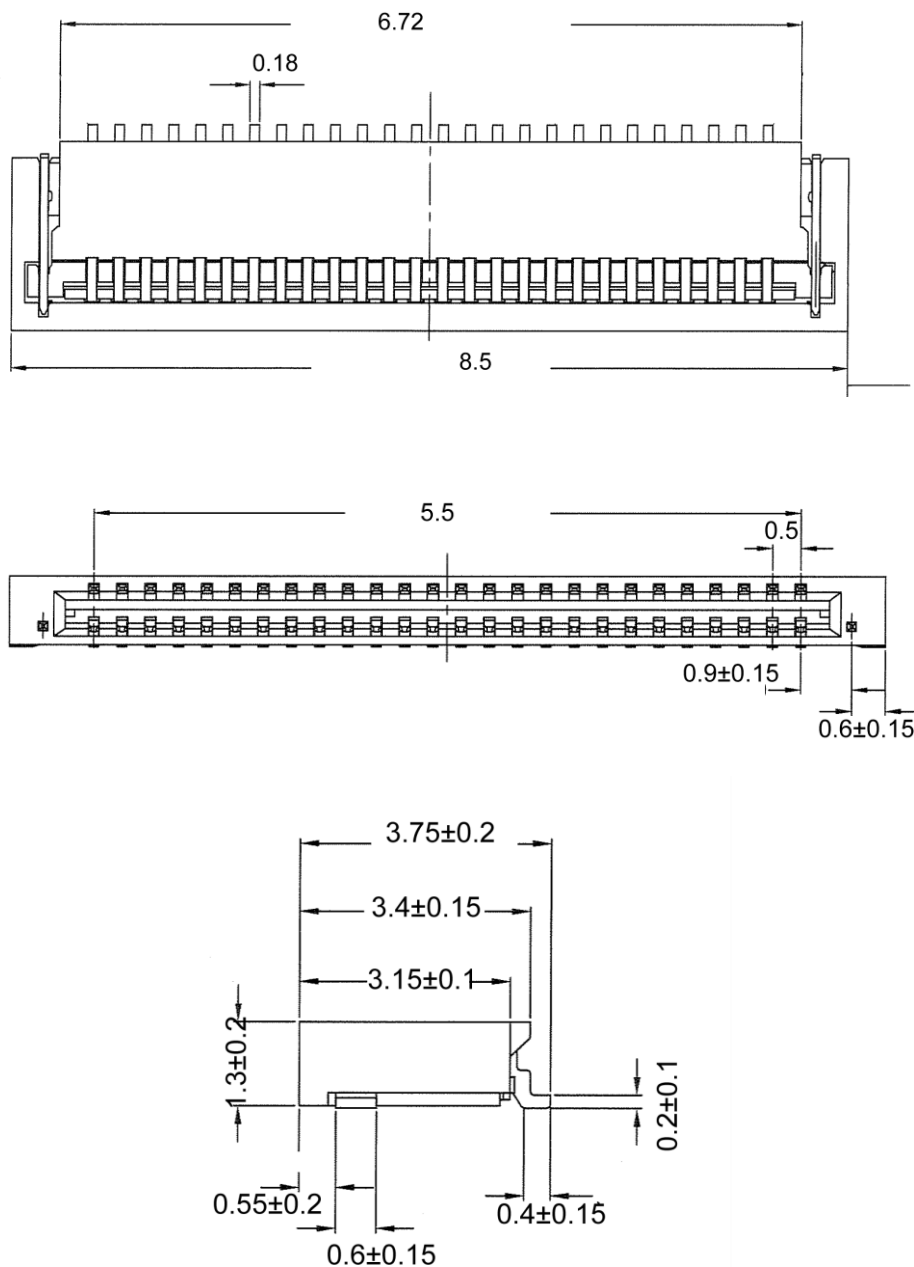
The following table lists the pin functions of the 12-pin host interface connector of the EM3396.



PIN#	Signal Name	I/O	Function
1	NC	-	Not connected.
2	VDD	-	3.3V power supply.
3	GND	-	Power-supply ground.
4	RX	I	TTL level 232 receive data.
5	TX	O	TTL level 232 transmit data.
6	USB_D-	I/O	USB_D- differential data signal. (optional)
7	USB_D+	I/O	USB_D+ differential data signal. (optional)
8	NC	-	Not connected.
9	Buzz	O	Beeper output. For the information of beeper driver circuit, see the Beeper section in this chapter.
10	LED	O	Good Read LED output. For the information of LED driver circuit, see the Good Read LED section.
11	Reset	I	Reset signal input: Driving this pin low for 100us-500us resets the engine.
12	nTrig	I	Trigger signal input: Driving this pin low for at least 10ms causes the EM3396 to start a scan and decode session.

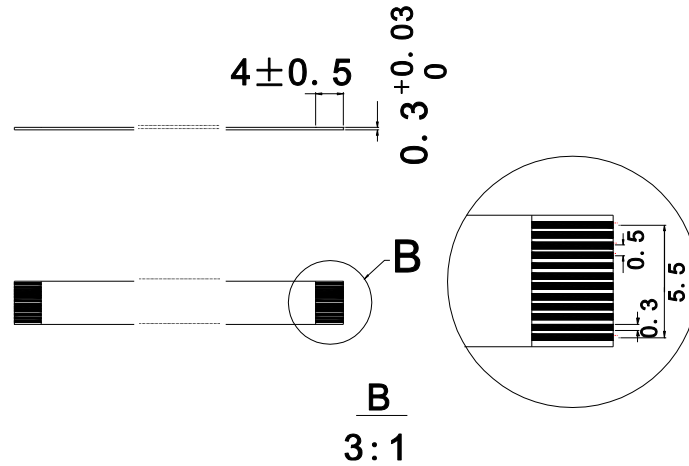
Dimensions of the Host Interface Connector (unit: mm)

The EM3396 uses a 12-pin FPC ZIF socket (bottom contact, model: 10051922-1210EHLF) manufactured by FCI. The socket can be connected to a host device with a FFC cable.



FFC Cable (unit: mm)

A 12-pin FFC cable can be used to connect the EM3396 to a host device. The cable design must be consistent with the specifications shown below. Use reinforcement material for the connectors on the cable and reduce cable impedance for reliable connection and stable performance.



Communication Interfaces

The EM3396 can communicate with the host device via its TTL-232 interface. This interface is applicable to most system architectures. For those requiring RS-232, a TTL-232 to RS-232 conversion circuit is needed.

The EM3396's TTL-232 interface supports baud rates from 1200bps to 115200bps; it does not support hardware flow control. Its default settings are 9600bps, 8 data bits, no parity check and 1 stop bit.

Besides, the EM3396 can also communicate with the host device via its USB interface (optional).

1. USB HID-KBW: Based on USB connection, the engine's transmission is simulated as USB keyboard input. It works on a Plug and Play basis and no driver is required.
2. USB COM Port Emulation: The USB interface on the host device is emulated as a serial port with the same data transmission and configuration as a real serial port. A driver is required.
3. USB HID-POS: It is based on HID with no need for custom driver and is way more efficient in communication than keyboard emulation and traditional RS-232 interface.

Control Interface

Reset

Driving the Reset pin (PIN 11) on the host interface connector low for 100us-500us can reset the EM3396. However, do not reset the engine at unreasonably short intervals. The minimum interval between resets must exceed 2 seconds.

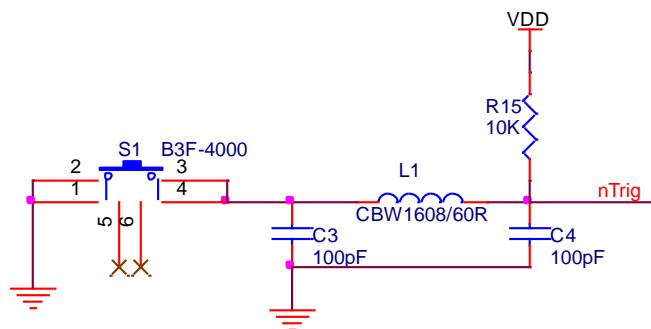
Trigger

Driving the nTrig pin (PIN 12) on the host interface connector low for over 10ms causes the EM3396 to start a scan and decode session. If barcode is decoded, the EM3396 waits for the voltage at the nTrig pin to turn high (or the trigger to be released) after sending the data to the Host. If the trigger is released during a scan attempt, the EM3396 immediately stops decoding.

Next decode session does not happen until the EM3396 receives active trigger signal (by driving the nTrig pin low) again.

As a decode session involves image capture, barcode decoding and other steps, it is suggested that the minimum interval between triggers should exceed 50ms.

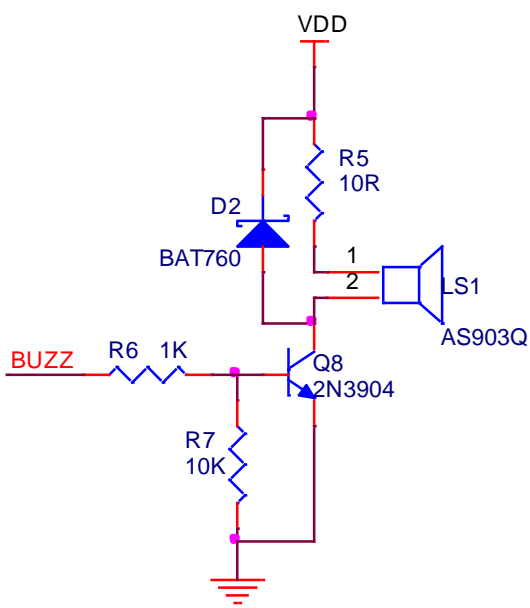
The following trigger circuit is provided for reference.



Beeper

The EM3396 provides a pin (Buzz, PIN 9) on the host interface connector that provides a PWM output to an external driver circuit for generating audible feedback to the user to indicate statuses like power up or good read. The PWM output is not strong enough to drive a beeper, thus a beeper driver circuit is needed.

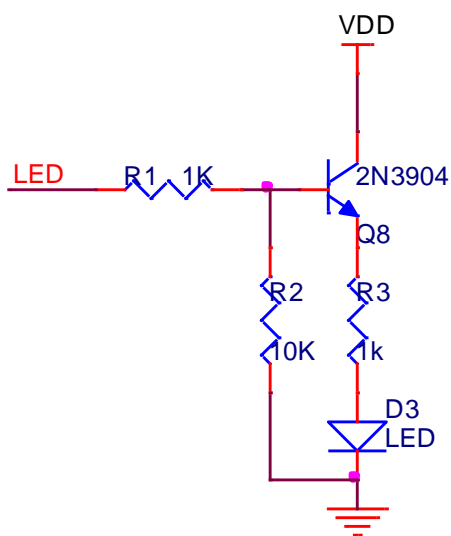
The following beeper driver circuit is provided for reference.



Good Read LED

The EM3396 provides a pin (LED, PIN 10) on the host interface connector that can be used by an external driver circuit to drive an LED to indicate a Good Read status. When a good read occurs, the LED pin produces a high level output for about 300ms, and then the signal is back to a low level. This Good Read LED output is not strong enough to drive an LED, so an LED driver circuit is needed.

The following Good Read LED driver circuit is provided for reference.



Chapter 5 Development Tools

EVK

The EVK is provided to help users to test and evaluate the EM3396, which contains beeper & beeper driver circuit, LED & LED driver circuit, trigger & reset button, TTL-232 to RS-232 converter & TTL-232 to USB converter, RS-232 & USB interfaces, etc. The EM3396 can be connected to the EVK via a 12-pin FFC cable type 1 (contacts on the same side). Either USB connection or RS-232 connection can be used when connecting the EVK to a host device.



Newland

SCANNING MADE SIMPLE

Newland EMEA HQ
+31 (0) 345 87 00 33
info@newland-id.com
newland-id.com

Need more info? Contact us or one of
our partners at newland-id.com/partners