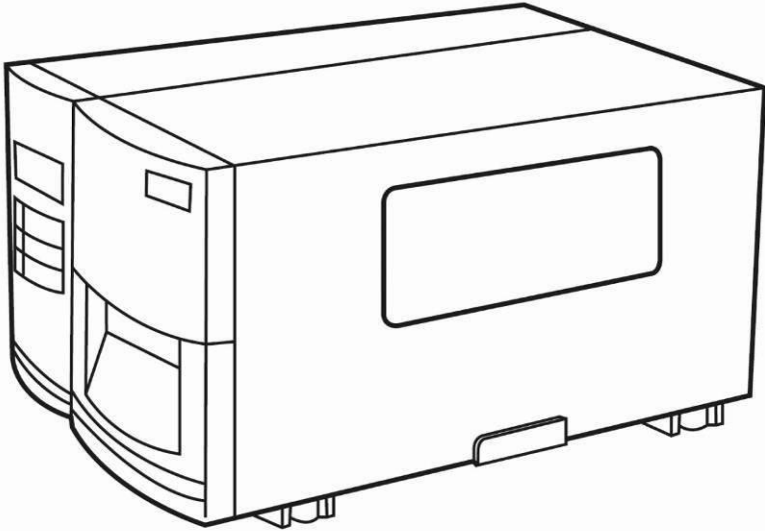


ARGOX

Empower the Barcode



X-1000VL
X-2000V / X-2000V Zip
X-2300E / X-2300ZE
X-3200 / X-3200Z
X-3200E / X-3200ZE

Xellent Series Industrial Barcode Printer User's Manual

Table of Contents

1. Getting Started	5
Unpacking	5
Connecting the Power Cord	8
Internal Parts and Features	10
Loading Ribbon	13
Switching Ribbon Wound Ink-side out or Ink-side in	17
Loading Media	19
Standard Mode Loading Media	19
Peel Off Mode Loading Media	23
Cutter Mode Loading Media	27
Adjust Position of Label Sensor	30
2. Printer Operation	31
Front Panel	31
LED Indicators	32
Buttons	33
LCD Display	34
Setting Display Language	36
Changing Settings from the Panel	37
Media Calibration	45
Printing a Configuration Report	46
Resetting to Factory Default Settings	50
3. Computer Connections	51
USB Interface Requirements	51
Centronics Parallel Port	51
Serial (RS-232) Port	52
Ethernet 10/100 Internal Printer Server Option	53
Ethernet Module Status Indicators	53
Communicating with the Printer	55
Installing a Plug and Play printer driver (for USB only)	55

Installing a Printer Driver (for other interfaces except USB)	61
4. Troubleshooting	68
LED and LCD Diagnosis	68
Media Problems	68
Ribbon Problems	69
Other Problems	69
Printer Status	70
Transmission Problems	71
Recovery	71
Printer Maintenance	72
Cleaning the Print Head	73
Cleaning Interval	73
Cleaning Material	73
Cleaning Direction	74
Cleaning the Roller	74
Cleaning the Media Compartment	74
5. Advanced Installation and Adjustment	75
Print Head Pressure	75
Print Head Print Line Position	78
Ribbon Tension Adjustment	81
Printing Wrinkle	83
Rotary Cutter and Guillotine Cutter Installation	86
Rotary Cutter with Paper Jam	89
Guillotine Cutter with Paper Jam	90
Dispenser Installation	91
RTC Battery Replacement	94
Stand-alone with Keyboard	95
Form Control Functions	96
Example: Making a Keyboard Form	97
Stand-alone with Barcode Reader	101

Example: Making a Barcode Reader Form	102
6. Technical Reference	105
General Specifications	105
Printer Programming Language A, PPLA	109
Printer Programming Language B, PPLB	110
Printer Programming Language Z, PPLZ	112
Interface Specifications	114
USB	114
PS/2	114
Serial Interface	115
Connection with Host:	116
Parallel (Centronics)	118
Ethernet Interface	119
Auto Polling	119
ASCII TABLE	120

1. Getting Started

Congratulations on choosing the Argox Xellent Series (X-Series) industrial barcode printer. This user's manual describing the Xellent Series printer models, will help you get to know your new printer. The manual includes a guide to operate the printer as well as related information on troubleshooting, maintenance, and technical reference. Illustrations are provided to help you quickly become familiar with the printer.

Proprietary Statement

This manual contains proprietary information of Argox Information Co., Ltd. It is intended solely for the information and use of parties operating and maintaining the equipment described herein. Such proprietary information may not be used, reproduced, or disclosed to any other parties for any other purpose without the expressed written permission of Argox Information Co., Ltd.

CAUTION:

Any changes or modifications not expressly approved by the party responsible for compliance could void the user's authority to operate the equipment.

Unpacking

After receiving your printer, please check for possible shipping damage:

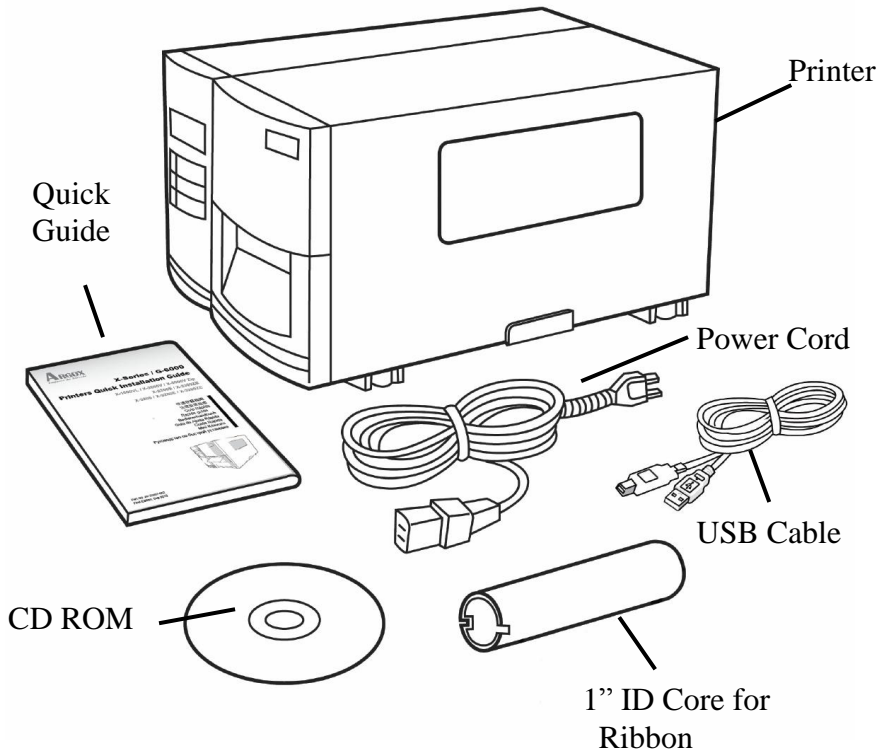
1. Inspect the outside of both the box and the printer for

possible damage.

2. Open the top cover of the printer to see if the media compartments are in order.

Note: If damage has occurred, contact your shipping company immediately to file a claim.

3. Check whether you have received the following accessories together with the printer. If there are any items missing, please contact your local dealer.



Package Contents

- Printer
- Quick Guide
- CD Rom (including software and user's manuals)
- Power Cord
- Core for Ribbon
- USB Cable

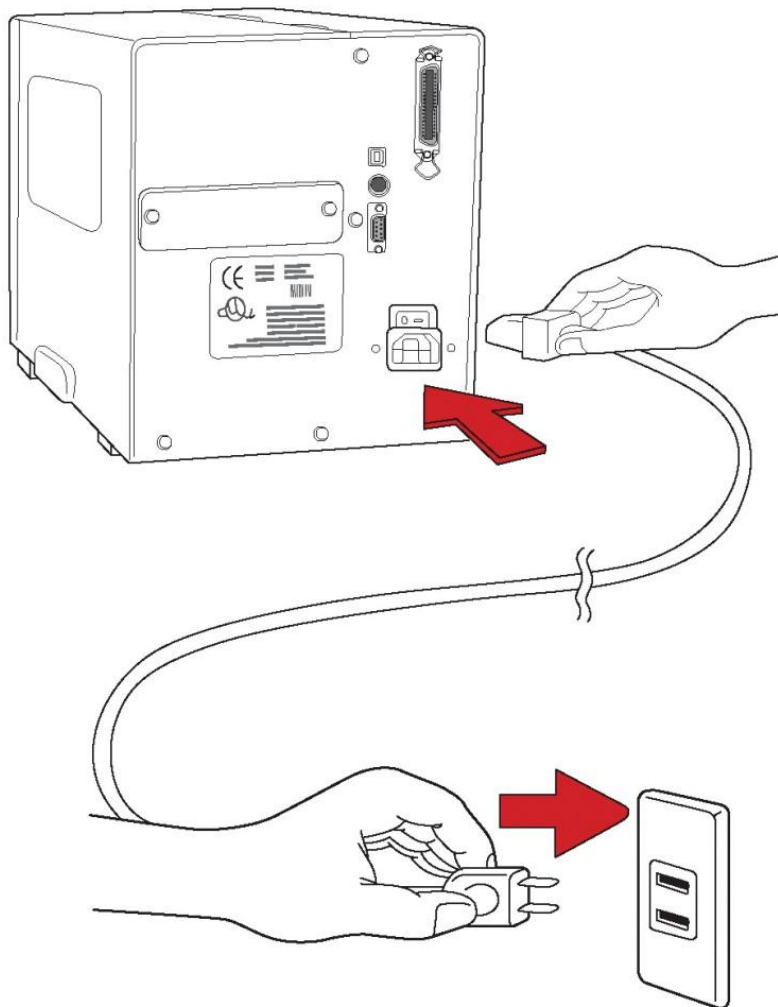
Connecting the Power Cord

Before setting up and connecting the printer you should consider the following.

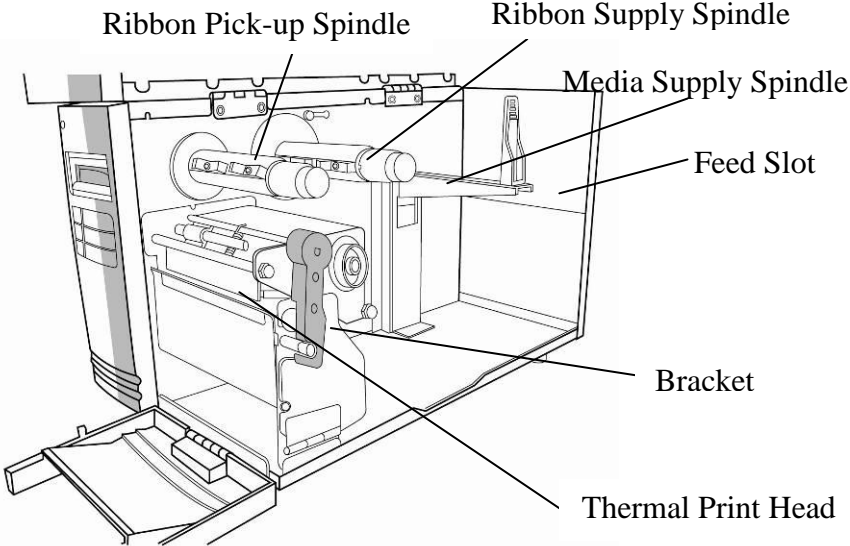
WARNING! Do not operate the printer in an area where it might get wet.

- Find a solid flat surface with adequate room for the printer and enough space above for media and ribbon access.
- Place the printer within cable distance of the host and printer (serial or parallel cable.)
- Isolate the power cord from other electrical cables.

Connect the power cord as below.

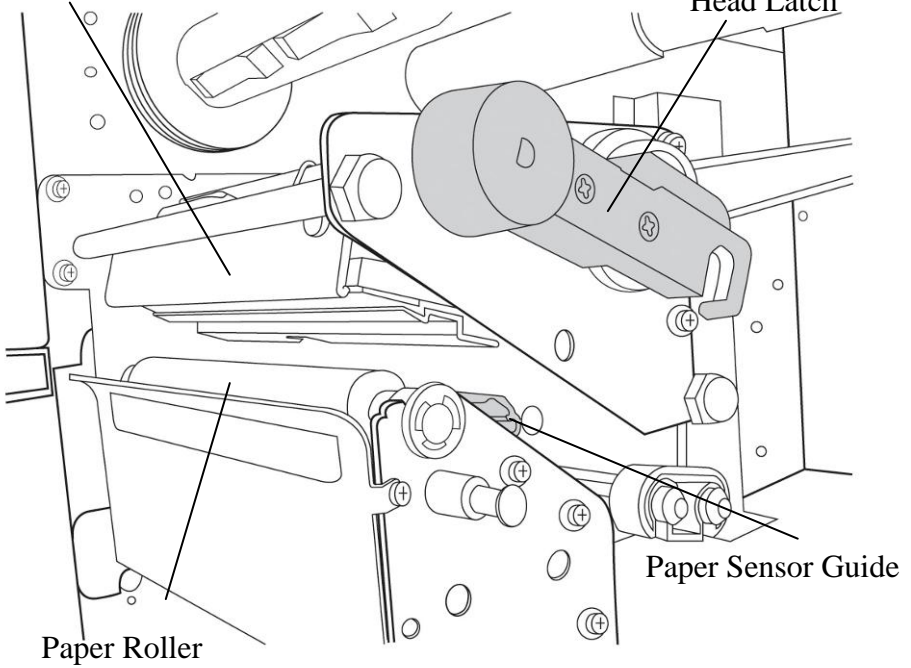


Internal Parts and Features

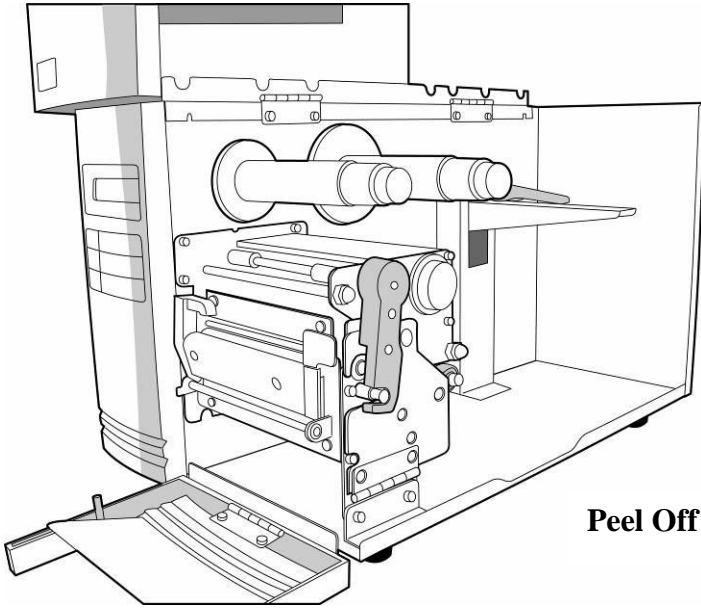


Thermal Print Head

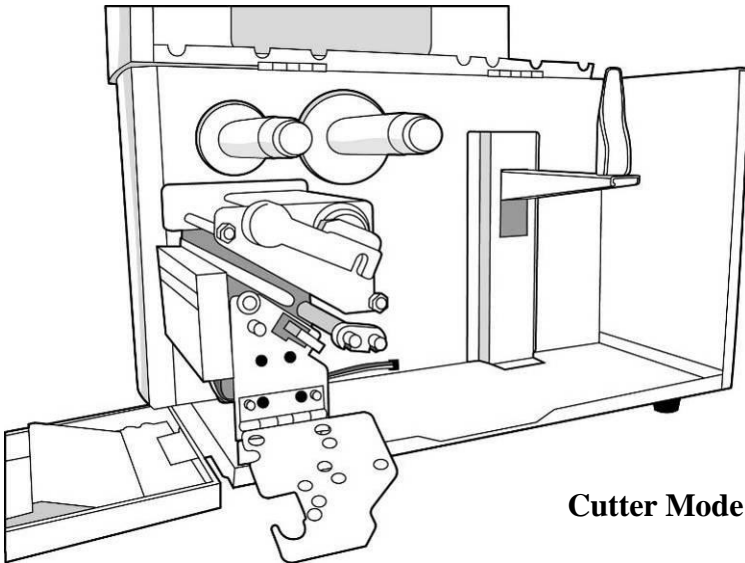
Head Latch



Standard Mode



Peel Off Mode

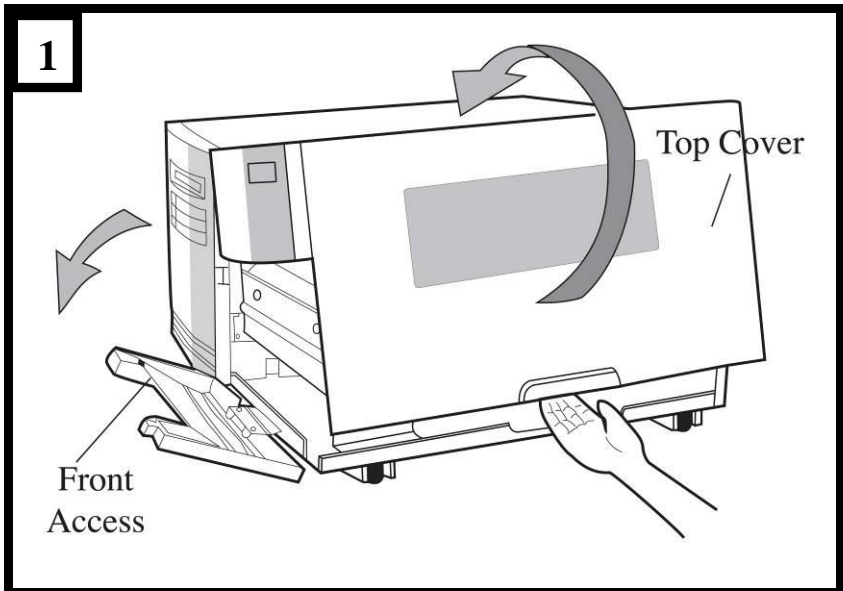


Cutter Mode

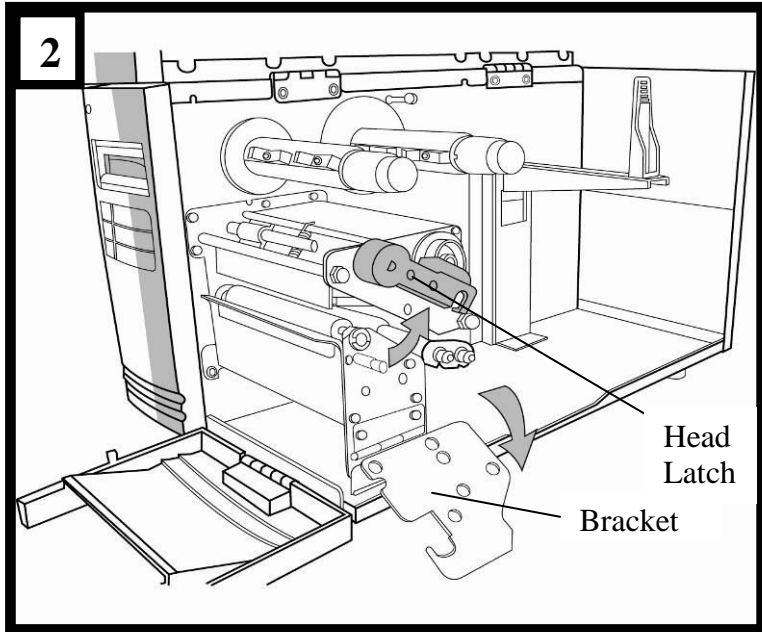
Loading Ribbon

Note: Thermal Transfer printing requires media to print with appropriate ribbon. This section can be referred to, for X-Series to use transfer thermal printing. The sample steps below are based on ribbon wound ink-side in as an example. (X series printers use ribbon wound ink-side in as default. To change setting to ribbon would ink-side out, refer to Section - Switching Ribbon Wound Ink-side out or Ink-side in)

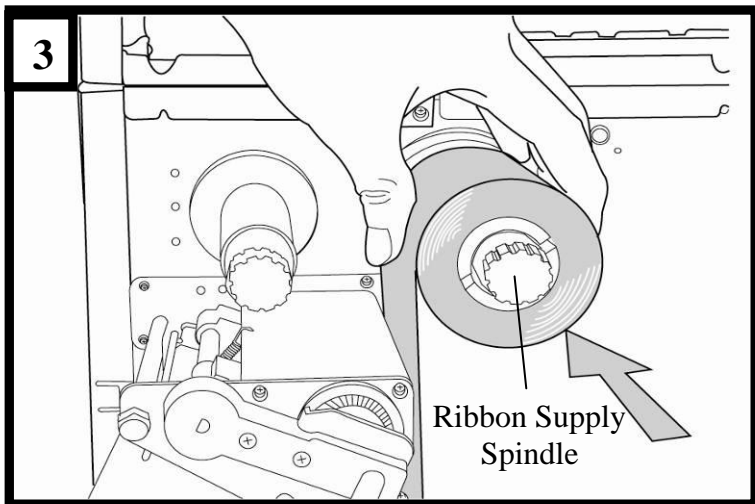
1. Lift the top cover and front access door to expose the media compartment. (Figure 1)



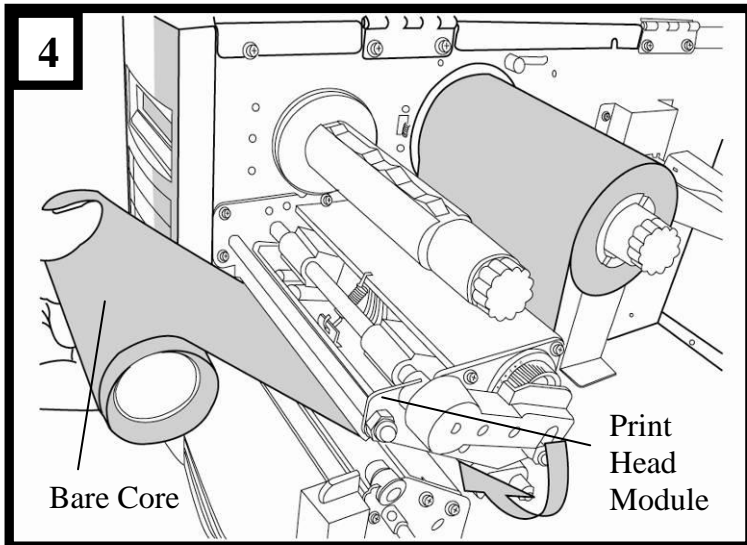
2. Turn the head latch counter-clockwise and open the bracket. (Figure 2)



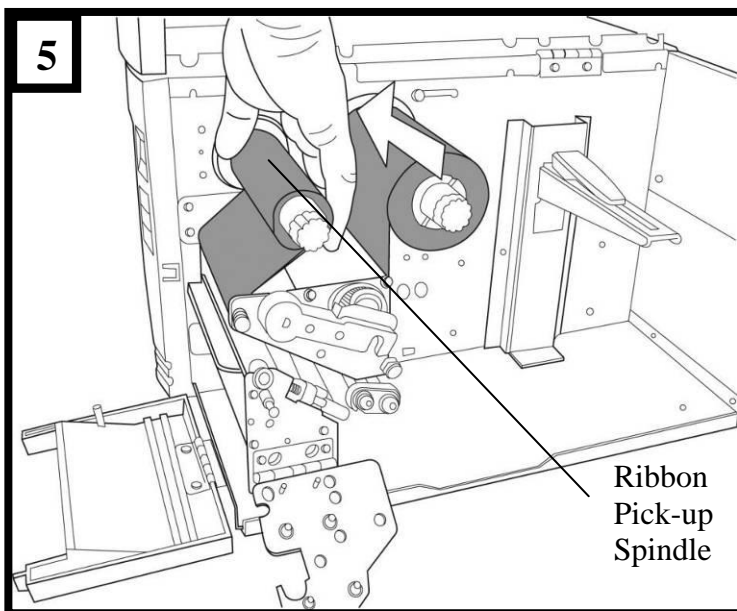
3. Unwrap the ribbon and separate the ribbon roll from the bare core. Insert the ribbon roll onto the ribbon supply spindle. (Figure 3)



4. Lead the ribbon through the print head module. (Figure 4)
5. Attach the edge of the ribbon onto the bare core and wind it a bit onto the core. Make sure the coating side of the ribbon is face down.



6. Insert the core onto the ribbon pick-up spindle. (Figure 5)

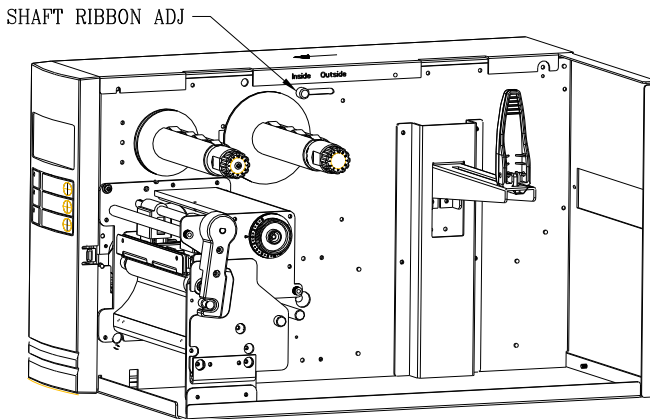


7. Turn the pick-up spindle to ensure the ribbon is tightly wound.

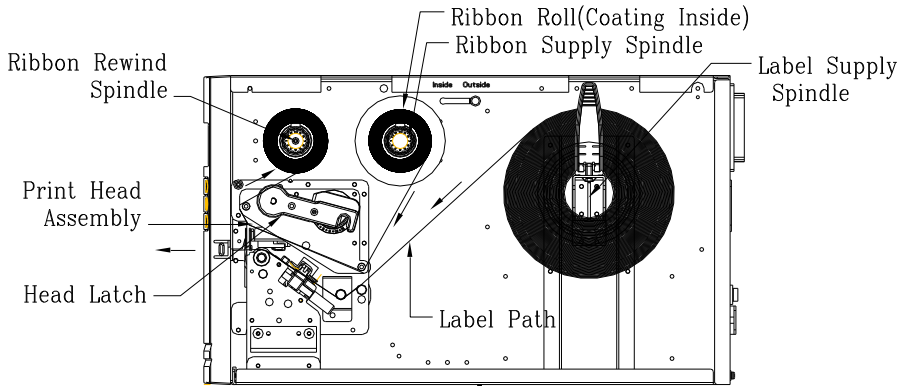
Switching Ribbon Wound Ink-side in or Ink-side out

The printer is produced to suit flexible applications, no matter with ribbon wound ink-side in (manufacturing default), or with ribbon wound ink-side out. The steps to switch for ribbon wound ink-side out are listed as follows:

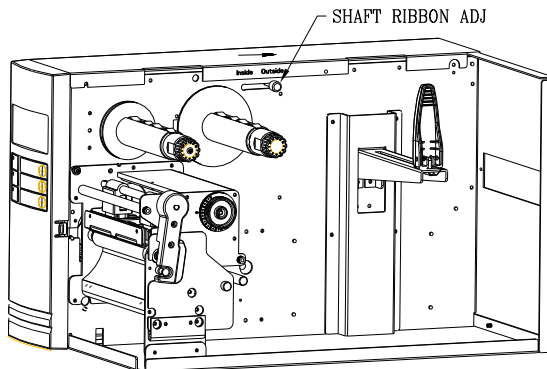
1. Pull and move the SHAFT RIBBON ADJ to “Outside”:



2. After the adjustment above, ribbon wound ink-side out can be used. Then install the ribbon:



3. If ribbon wound ink-side in is in use, pull and move the SHAFT RIBBON ADJ to "Inside". Then install the ribbon:



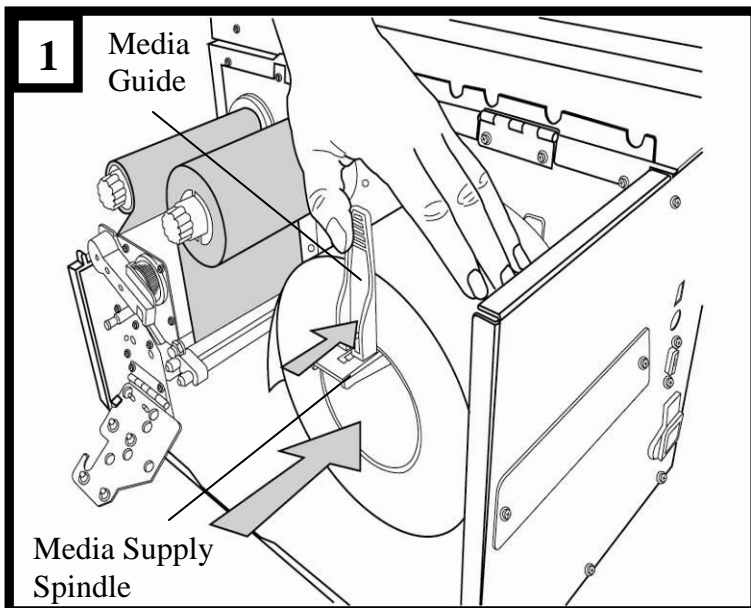
Loading Media

The X-Series printers offer three different loading modes: standard, peel-off, or with a cutter.

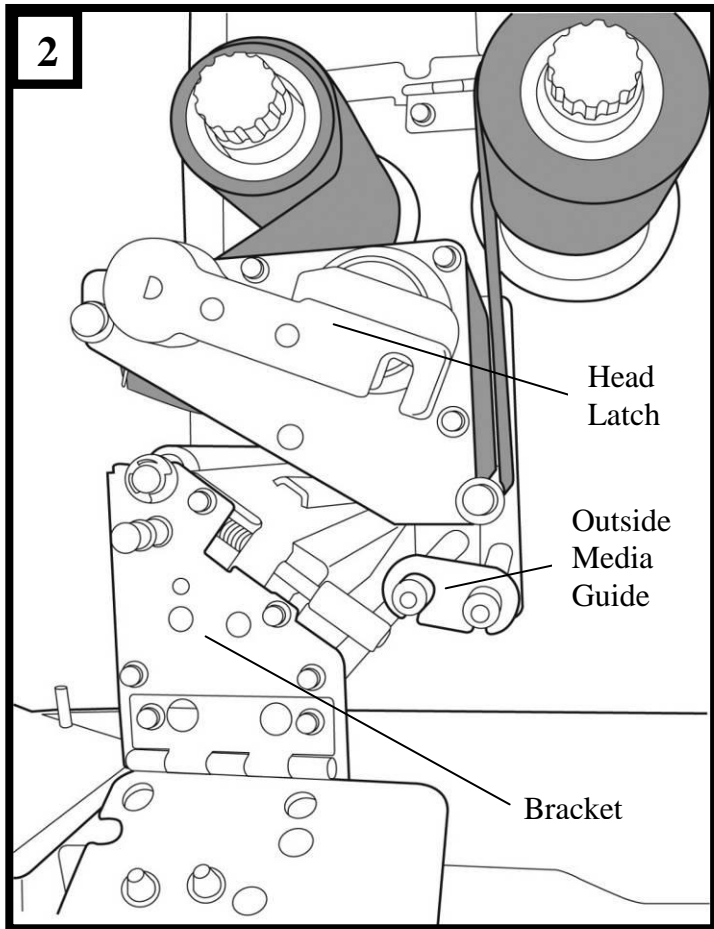
- **Standard mode** allows you to collect each label freely.
- **Peel-off mode** peels backing material away from the label as it prints. After the label is removed, the next label prints.
- **Cutter mode** automatically cuts the label after it prints.

Standard Mode Loading Media

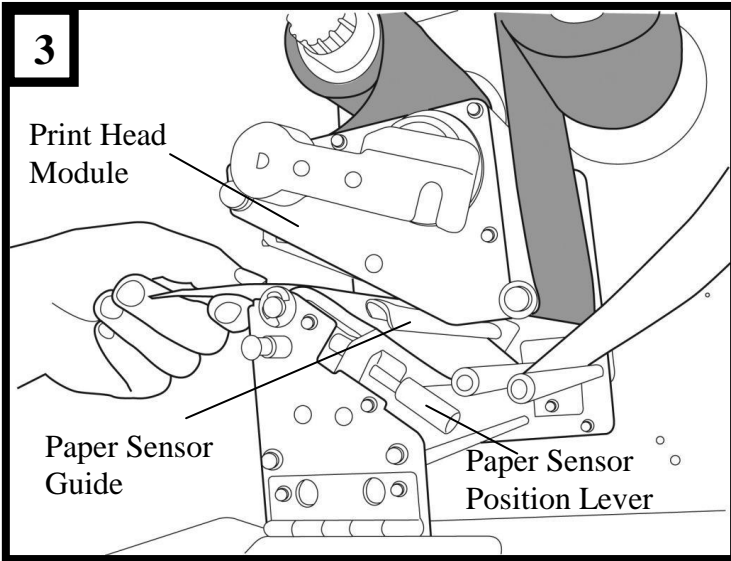
1. Insert the media roll into the media supply spindle and move the media guide to the inside. (Figure 1)



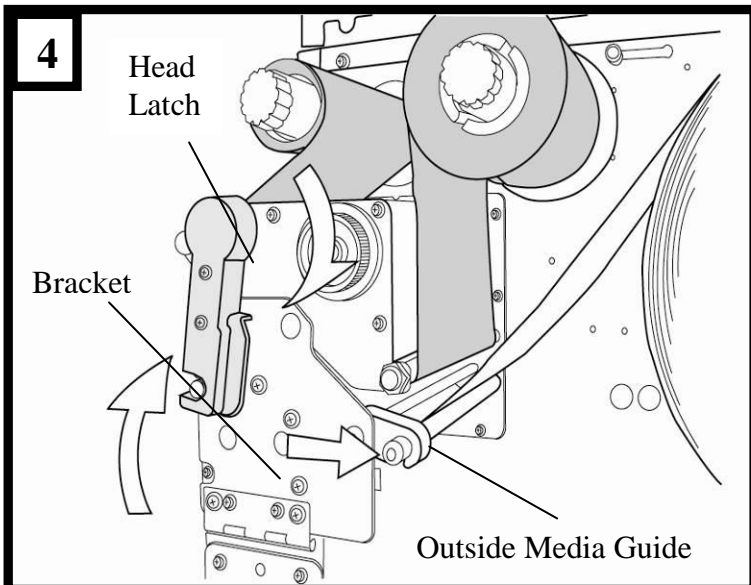
2. Turn the head latch counter-clockwise and open the bracket. Remove the outside media guide. (Figure 2)



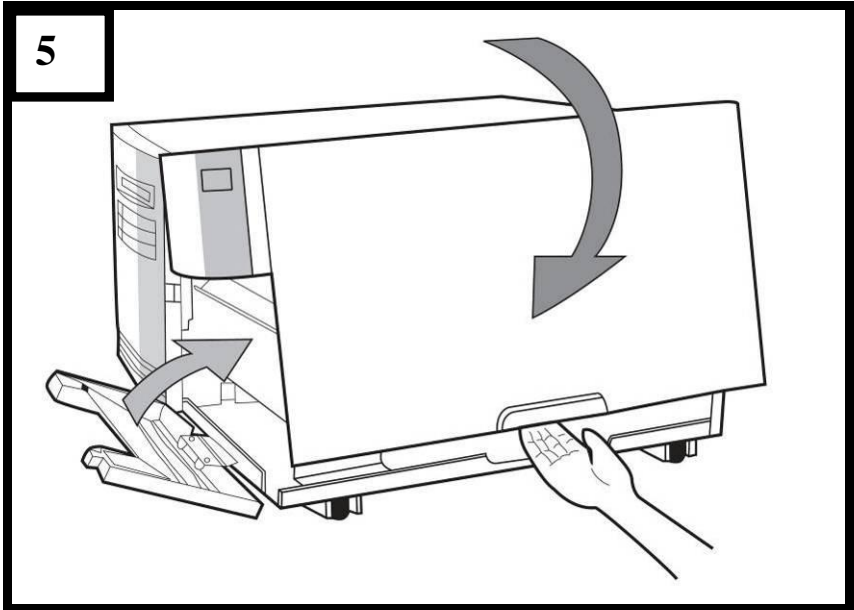
3. Lead the media through the print head module and under the paper sensor guide. (Figure 3)



4. Return the outside media guide, close the bracket, and hook the head latch. (Figure 4)



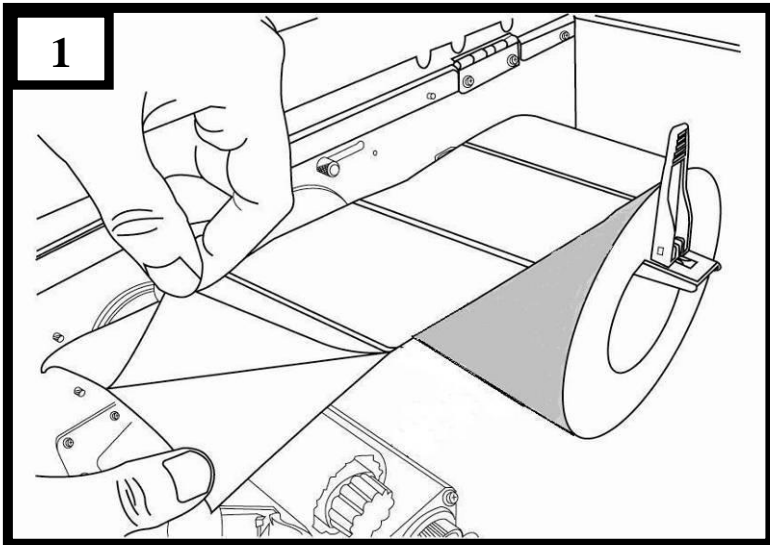
5. Close the top cover and the front access door and turn on the printer, or press the “FEED” button if the printer is already on. (Figure 5)



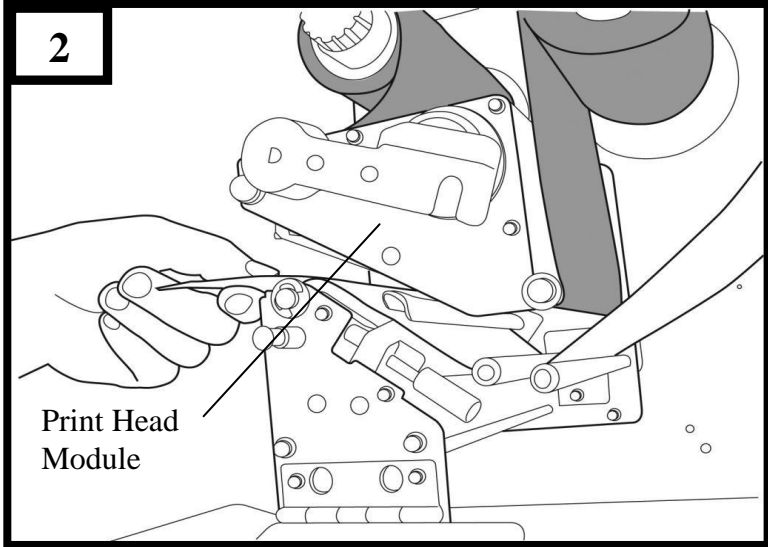
Peel Off Mode Loading Media

Follow steps 1 to 3 in “Standard Mode Loading Media” above.

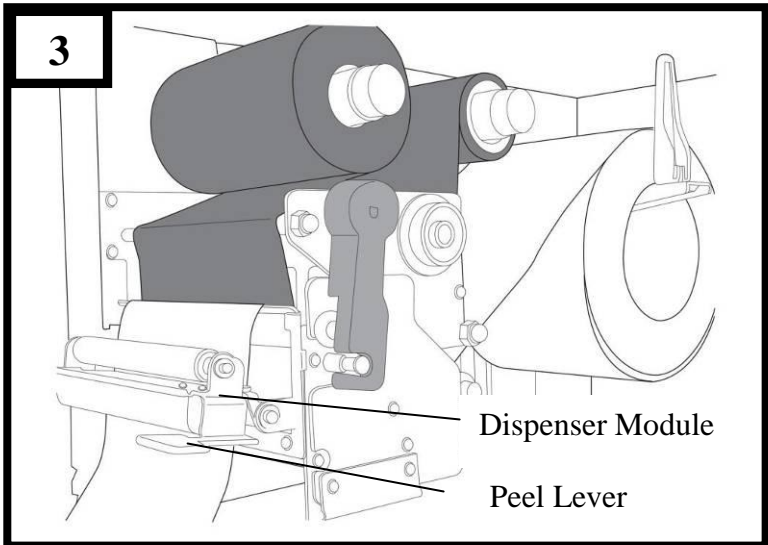
1. From the leading end of the media roll remove enough labels to expose 6-inches of backing paper. (Figure 1)



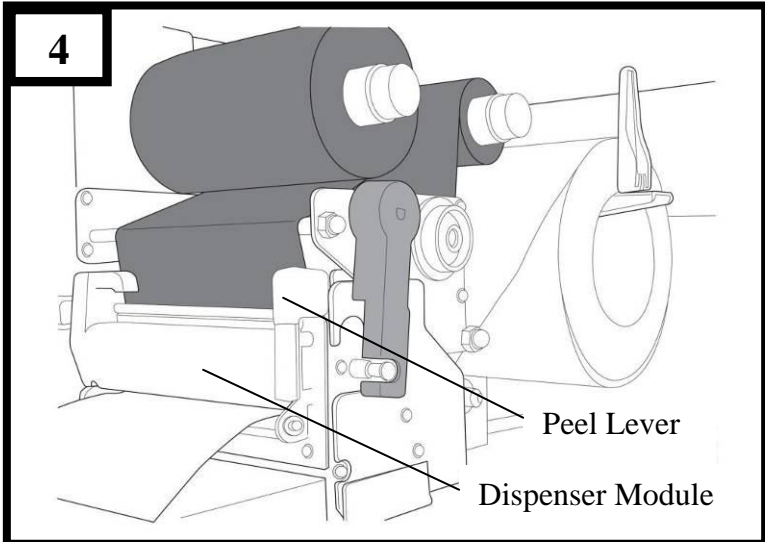
2. Lead the media backing paper through the print head module. (Figure 2)



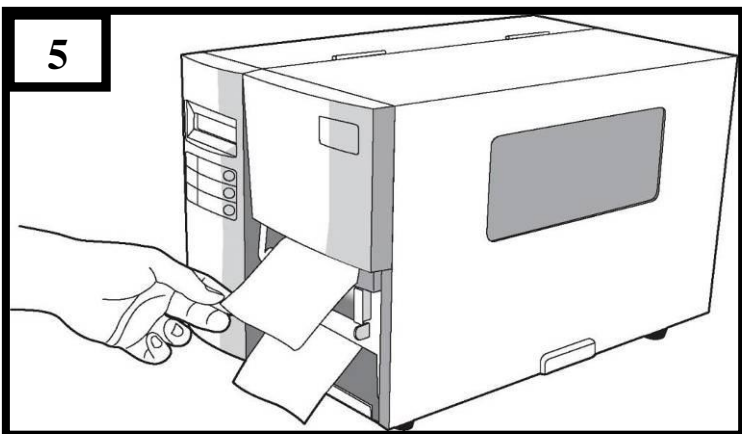
3. Push down the peel-off mechanism release lever and lead the media under the peeler module. (Figure 3)



4. Close the peeler module using the peel-off mechanism release lever. (Figure 4)



5. Close the top access door and turn on the printer or press the FEED button if the printer is already on. (Figure 5)



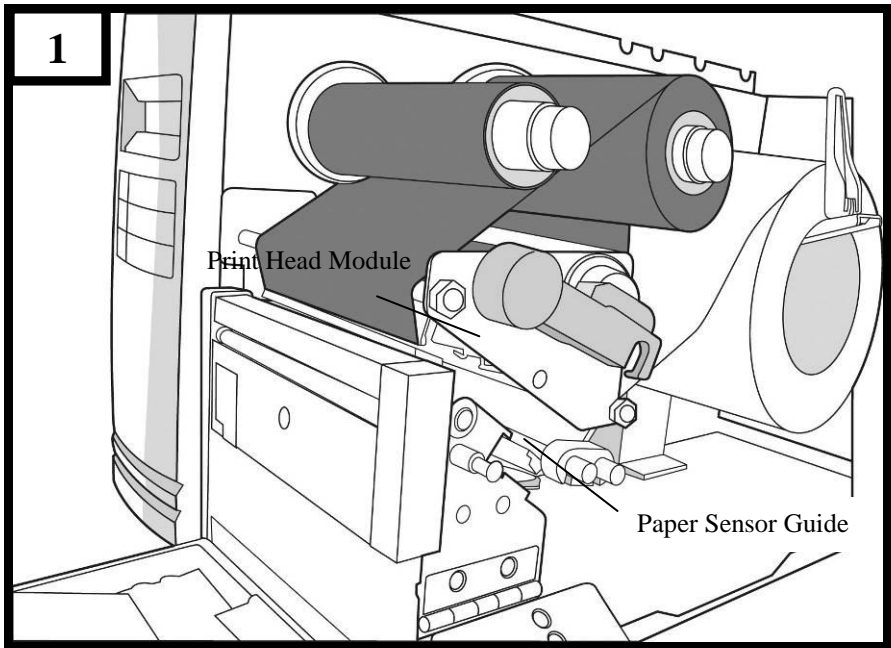
Notes:

1. The FEED button does not make the printer peel. To enable Peeling function, set by the LCD panel.
2. Make sure the peeler sensor is out of the ribbon path when installed.

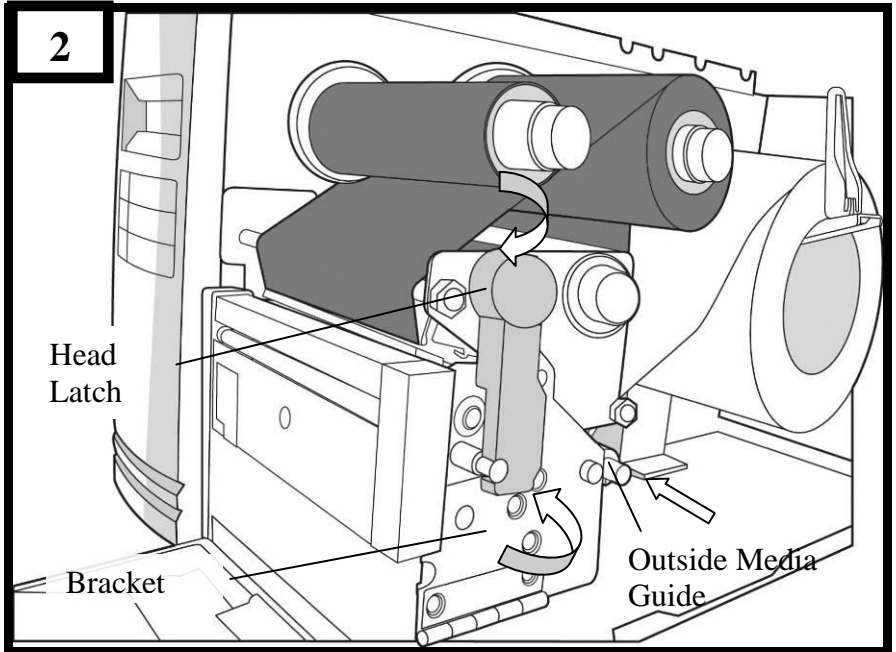
Cutter Mode Loading Media

Follow steps 1 to 3 in “Standard Mode Loading Media” above.

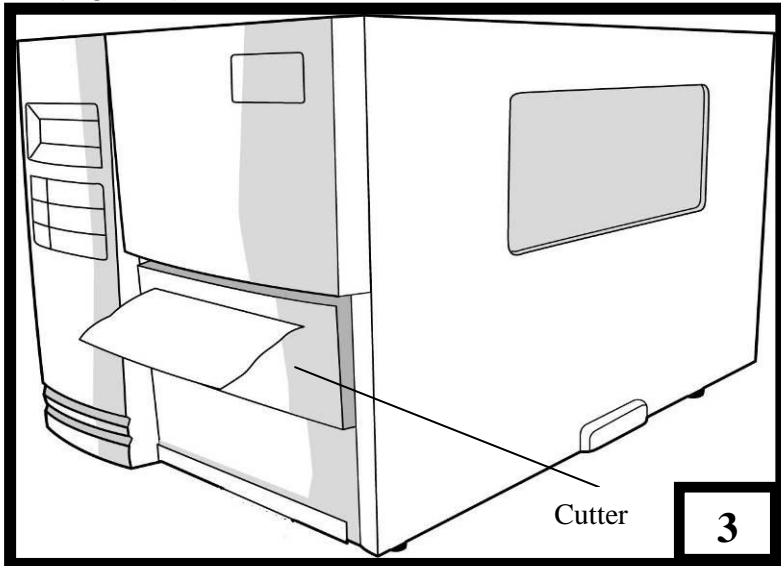
1. Insert the media into the print head module and under the paper sensor guide. (Figure 1)



2. Return the outside media guide, close the bracket, and hook the head latch. (Figure 2)



3. Close the top access door and turn on the printer or press the FEED button if the printer is already on. The printer will then feed the labels through the cutter automatically.
(Figure 3)



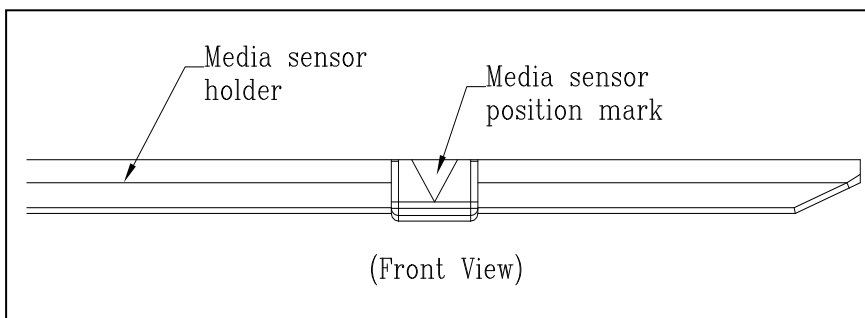
Note: The FEED button does not make the printer cut. To enable Cutter function, set by the LCD panel

Adjust Position of Label Sensor

Function of the label sensor is to detect the gap, notch, or holes of labels, to help the printer for accurate print positions and label length. For labels with gaps, label sensor can be positioned wherever media locates. If labels with notches or holes are in use, follow the steps below to check position of the label sensor:

- Unlatch the Print head Latch. (as Figure 2 in Section – Standard Mode Loading Media)
- Pull down Paper Sensor Position Lever (as Figure 3 in Section – Standard Mode Loading Media), to horizontally adjust position of label sensor.
- Make sure the Media sensor position mark locates right on notch or hole of labels.

Check below.

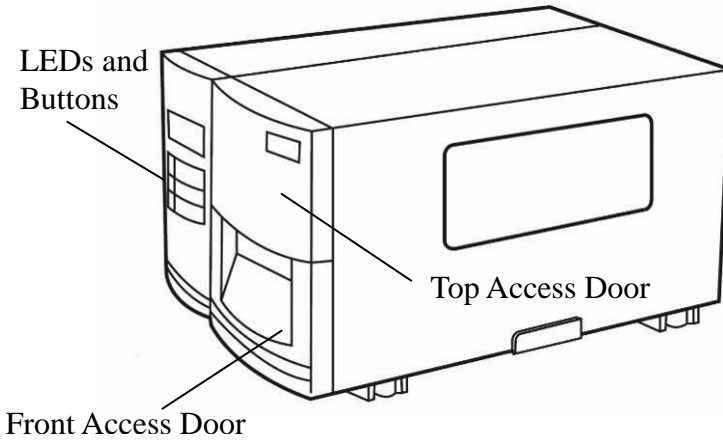


2. Printer Operation

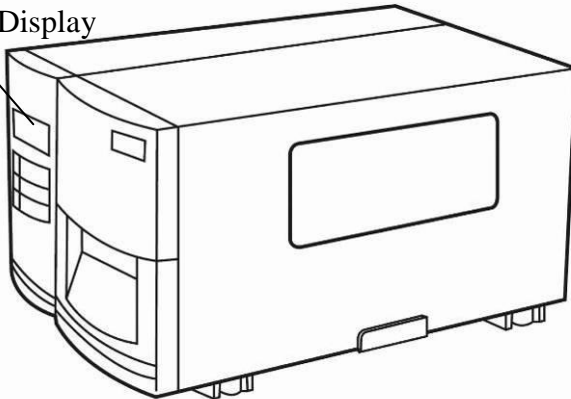
The illustrations below describe parts and features of X-Series.

Front Panel

X-1000VL



LCD Display



X-2000V
X-2000V Zip
X-2300E
X-2300ZE
X-3200
X-3200Z
X-3200E
X-3200ZE

The front panel includes:

- 3 LED indicators (READY, MEDIA and RIBBON)
- 3 buttons (FEED, PAUSE and CANCEL)
- LCD display (except X-1000VL)
- Top Access Door
- Front Access Door

LED Indicators

There are three LED indicators on the front panel - READY, MEDIA and RIBBON. These indicators display operation status of the printer.

READY	On – Normal operation Off – Error conditions including ribbon out, media out, print tasks cancelled, printing errors, printer paused, printer receiving data
MEDIA	On – Normal operation Blinking – Media is used out; install new media. Print head overheat (LCD will indicate “Print Head Heat”; printer will resume printing automatically later.)
RIBBON	On – thermal transfer mode with ribbon installed. Off – direct thermal mode with no ribbon installed. Blinking – Ribbon is used out; install new ribbon. For the X-2000V / X-2000V Zip / X-2300E / X-2300ZE / X-3200 / X-3200Z / X-3200E / X-3200ZE models, modes of thermal transfer and

direct thermal can be set via the printer panel.
 For the X-1000VL model, set via Printer Utility,
 Windows driver or printer commands.

Buttons

There are three buttons, each with two basic functions.

Button	Function 1 (Press the button)	Function 2 (Press the button and power switch together)
FEED	Feed a label	Perform self test & print configuration report
PAUSE	<ul style="list-style-type: none"> • Pause printing • Press again to resume printing 	Perform a media calibration
CANCEL	<ul style="list-style-type: none"> • Interrupt and delete a print task • Force printer to continue after an error is solved. 	Reset FLASH settings

LCD Display

The X-2000V / X-2000V Zip / X-2300E / X-2300ZE / X-3200 / X-3200Z / X-3200E / X-3200ZE models have a LCD that shows:

- printer status
- printer settings
- input data from a keyboard or barcode reader

After power-on, the LCD displays the following message as examples:

X-2000V / X-2000V Zip / X-2300E / X-2300ZE

READY (203,PPLB)

X-3200 / X-3200Z / X-3200E / X-3200ZE

READY (300,PPLB)

The first parameter is either 203 or 300, which stands for the printer resolution. The second parameter indicates the emulation (printer language), PPLA, PPLB or PPLZ.

Notes:

The Ethernet models will prompt “ETHERNET CARD INITIALIZING” on LCD for about 20 seconds after Power-on and then show the message above.

If a keyboard is plugged in, the LCD display will indicate:
X-2000V / X-2000V Zip / X-2300E / X-2300ZE

READY (203,PPLB)
<ESC> FOR KEYBD

X-3200 / X-3200Z / X-3200E / X-3200ZE

READY (300,PPLB)
<ESC> FOR KEYBD

If a barcode reader is connected, the LCD display will indicate:
X-2000V / X-2000V Zip / X-2300E / X-2300ZE

READY (203,PPLB)
WITH B.C. READER

X-3200 / X-3200Z / X-3200E / X-3200ZE

READY (300,PPLB)
WITH B.C. READER

If an abnormal condition occurs, the LCD display will indicate.
For example:

RIBBON OUT

Setting Display Language

The printer's LCD display supports six languages: English, French, German, Italian, Spanish, and Portuguese.

Item	Range	Factory Default
LANGUAGE	ENGLISH, FRENCH, GERMAN, ITALIAN, SPANISH, PORTUGUESE, SIMPLIFIED CHINESE (Optional)	ENGLISH

To select a language:

1. Press the PAUSE and CANCEL buttons at the same time.
2. Hold both buttons for about 3 seconds and release.
3. The language selection screen appears.

LANGUAGE
ENGLISH

4. Press the FEED button for the next language.
5. Press the CANCEL button to select and set the language.

Press PAUSE or the PAUSE+CANCEL buttons to exit the language selection screen and enter normal standard mode.

Changing Settings from the Panel

You may change settings using the buttons on the front panel of the X-2000V, X-2000V Zip, X-2300E, X-2300ZE, X-3200, X-3200Z, X-3200E, and X-3200ZE printer models, in addition to changing settings via software commands.





Change settings via buttons on panel:

Buttons	Function
PAUSE+CANCEL	Press to enter setting mode. (Don't press over 1 second) Press again to exit setting mode and return to normal mode.
FEED	Press to show next parameter.
PAUSE	Press to show next setting item.
CANCEL	Selects and saves a parameter to permanent FLASH memory. Unless changed via panel or command the parameter is saved even if you restart the printer.

Note: Do not change settings during printing or sending printing data.

LCD Function Setting Procedure

The following procedure is an example of setting procedure to direct thermal printing mode:

LCD indicating	LCD setting steps
READY (203,PPLB)	After printer power in on, LCD will indicate as shown at the left.
<p style="text-align: center;">Step 1 </p>	Press both PAUSE + CANCEL buttons. Then release the buttons to enter settings.
PRINT MODE THERM. TRANSFER*	LCD will then prompt LCD function selections; default settings include the “*” sign. For example, the first option of print modes is thermal transfer.
<p style="text-align: center;">Step 2 </p>	Keep press FEED button until LCD prompts the function setting needed.
PRINT MODE DIRECT THERMAL	For example, the second option of print modes is direct thermal.
<p style="text-align: center;">Step 3 </p>	Press CANCEL button to store the setting.
PRINT MODE DIRECT THERMAL *	The option selected will now include the “*” sign.
<p style="text-align: center;">Step 4 </p>	Press PAUSE button to continue the other settings.
Back to standard printing mode	After LCD function settings are completed, press both PAUSE + CANCEL and then release them to exit from settings.
READY (203,PPLB)	Now printer is in normal printing mode.

Printer LCD function settings and parameters:

Item	Range	Factory Default	Remarks
PRINT MODE	DIRECT THERMAL/ THERM. TRANSFER	THERM. TRANSFER	
AUTO-CAL. MODE	MODE 1 MODE 2 MODE 3 MODE 4	MODE 1	<p>Mode 1: Printer performs Auto Calibration after printing the first label, if label height differs from parameters in printer's flash.</p> <p>Mode 2: Printer performs Auto calibration when print head is closed.</p> <p>Mode 3: Printer finds the first label gap when print head is closed.</p> <p>Mode 4: Mode 1/2/3 all disabled. Manual calibration is needed.</p> <p>Not for X-2000V.</p>
CONTROL CODE SET	STANDARD ALTERNATIVE 1	STANDARD	Available only in PPLA printer language.

	ALTERNATIVE 2 ALTERNATIVE 3		
CUT PEEL OFFSET	-15 ~ 50 mm	0 mm	To adjust cut and peel positions.
PRINT OFFSET	-8 ~ 15 mm	0 mm	Controls vertical print positions. Positive value only. For X-2000V only.
TPH VER OFFSET	-9~9 mm (PPLA/PPLB) -3~3 mm (PPLZ)	0 mm	To adjust offset of vertical print position.
RECOVER PRINT	ENABLE, DISABLE	DISABLE	Will not reprint after recovering from media-out or ribbon-out errors.
CUTTER INSTALLED	NO YES	NO	If "YES" is selected, printer will then enter CUTTER TYPE and CUT MODE settings.
CUTTER TYPE	ROTARY- NORMAL ROTARY- REVERSE GUILLOTINE- FULL GUILLOTINE- PART	ROTARY- NORMAL	Available only when CUTTER INSTALLED is set to "YES". ROTARY-REVERSE is to recover from paper jam in cutter mode.

CUT MODE	NORMAL CUTTER W/O BACK	NORMAL	Available only when CUTTER INSTALLED is set to "YES".
PEELER INSTALLED	NO YES	NO	
READER INSTALLED	NO YES	NO	Available only in PPLB printer language.
WIN. CON. LEN.	0 ~ 254 mm	0 mm	Available only in Windows with bundled printer driver and for continuous media.
BASE SPEED (IPS)	0 ~ 4 IPS	0 IPS	Available only in PPLA and PPLB printer languages.
COUNTING	DOWN UP	DOWN	
MEDIASENSE R TYPE	REFLECTIVE SEE-THROUGH	SEE- THROUGH	To select for different media types. After changing sensor setting, make sure to calibrate before printing.
BACK FEED	DISABLE ENABLE	DISABLE	Available only in PPLA and PPLB printer languages. Once "ENABLE" is selected, printer

			enters BACK DISTANCE setting.
BACK DISTANCE	10~40 mm	21 mm	Available only when BACK FEED is enabled.
BASE DARKNESS	0~99 (PPLA) -28~28 (PPLB)	0	Available only in PPLA and PPLB printer languages.
ABS. DARKNESS	0~30	0	To select darkness. Available only in PPLZ printer language.
TRIM. DARKNESS	-30~30	0	To fine-tune darkness. Available only in PPLZ printer language.
BAUD RATE (RS232)	600 / 1200 / 2400/ 4800 / 9600 / 19200 / 38400 / 57600 / 115200	9600	Should be as same as setting of host.
PARITY (RS232)	NONE EVEN ODD	NONE	Should be as same as setting of host.
LENGTH (RS232)	8 DATA BITS 7 DATA BITS	8 DATA BITS	Should be as same as setting of host.
CLEAR FLASH	NO YES	NO	When "YES" is selected, all the label forms, soft fonts, and graphics stored will be deleted.

Ethernet settings and parameters

(X-2300E. X-2300ZE. X-3200E. X-3200ZE):

Item	Range	Factory Default	Remarks
DHCP	DISABLE ENABLE		<p>If printer has been connected to a router, IP address will be assigned automatically by DHCP server after power on.</p> <p>If printer is not connected to a router, with DHCP disabled, settings of IP ADDRESS, SUBNET MASK, and DEFAULT GATEWAY settings will be available on LCD.</p> <p>Every time when DISABLE is changed to be ENABLE, LCD will prompt "ETHERNET CARD UPDATE FINISH..."</p> <p>Then please reboot the printer.</p>
IP ADDRESS	<u>x</u> xx.xxx.xxx.xxx	xxx range:0~255	<p>When DHCP is disabled, default IP address is 192.168.1.100.</p> <p>If " _ " sign appears, that means that DHCP setting is disabled. On the contrary, DHCP setting is enabled.</p> <p>1. <u>FEED/CONFIG</u> : change contents. (ex. from 000.000.000.000 to</p>
SUBNET MASK	<u>x</u> xx.xxx.xxx.xxx		
DEFAULT GATEWAY	<u>x</u> xx.xxx.xxx.xxx		

		<p>255.255.255.255)</p> <p>2. <u>PAUSE/CALIBR.</u> : shift “_” sign position. (ex. from <u>255.255.255.255</u> to <u>255.255.255.255</u>)</p> <p>3. <u>CANCEL/RESET.</u>: Select next function setting. (“_” sign must at the third digit of each parameter, for example, <u>xx<u>x</u></u>).</p> <p>4. To change IP ADDRESS or SUBNET MASK, enter DEFAULT GATEWAY setting, press CANCEL button once; LCD will prompt “ETHERNET CARD UPDATE FINISH...” Then reboot the printer.</p>
MAC ADDRESS	yyyy-yyyy-yyyy	(yyyy = 0000~FFFF)

To have more information on Ethernet settings, please refer to Ethernet User’s Guide.

Media Calibration

After the media is loaded, please perform media calibration to calibrate the label sensor in advance.

1. Turn off the printer
2. Press and hold the PAUSE button and turn on the power.
3. When “CALIBRATION ...” is displayed on the LCD, and both READY and MEDIA indicators blink, release the PAUSE button.

(The Ethernet models will first prompt “ETHERNET CARD INITIALIZING” on LCD after Power-on and then show the “CALIBRATION ...” message as described above.)

4. The printer feeds 12-inches of blank labels.
5. When “READY” is displayed, the READY and MEDIA indicators stop blinking but remain illuminated.

Note: For X-1000VL, the steps about LCD can be ignored.

Important!

1. It's suggested to perform media calibration after changing media types.
2. Before calibration, be sure media and ribbon (for thermal transfer printing) have been loaded correctly. The label sensor needs to locate properly to index labels' gaps/ notches/ holes.
3. After media calibration is finished, printer stores settings into its flash. Without media calibration, printer may detect labels with less accuracy, especially for small labels less than 1.5” high.

Printing a Configuration Report

To perform a self-test and print a configuration report, helping to check printer's print quality and internal settings. Steps as below:

1. Turn off the printer.
2. Load media and ribbon.
3. Press and hold the FEED button while turning on the power.
4. When "SELF-TEST ..." is displayed on the LCD, release the FEED button.

(The Ethernet models will first prompt "ETHERNET CARD INITIALIZING" on LCD after Power-on and then show the "SELF-TEST ..." message as described above.)

5. The printer now prints out a configuration report.(as the sample in next page)
6. Printer will enter Dump mode after printing configuration. In Dump mode, all characters will be printed in 2 columns: the right shows characters received from your system, and the left are the corresponding hexadecimal values of the characters. It allows users or engineers to verify and debug the program.

To return to normal operation mode from Dump mode, press the CANCEL button. Another way is to turn off printer power, and then restart printer.

Note: For X-1000VL, the steps about LCD can be ignored.

Sample of Configuration Report – based on X-2300E:

1 ← Label Printer with Firmware
2 ← X2300-B01.00 000310 00
3 ← STANDARD RAM: 16M BYTES
4 ← AVAILABLE RAM: 13930K BYTES
5 ← FLASH TYPE: ON BOARD 8M BYTES
6 ← AVAILABLE FLASH: 6143K BYTES
7 ← 8 bit data: Code Page 437
8 ← THERMAL TRANSFER
9 ← SEE-THROUGH SENSOR(NORMAL)
10 ← REF:2000 SEE:4F64
11 ← NO. OF DL SOFT FONTS : 0
12 ← RTC CHIP INSTALL
13 ← RTC TIME : 2/26/2010 10:45:55
14 ← Int.fonsts:NO ANY INTERNAL FONTS
15 ← CUT COUNT: 0
16 ← PRINT LENGTH METER: 0 M
17 ← RS232 : 9600, 8, N, 1P
18 ← CHECKSUM : 0000
19 ← SPEED: 3IPS DARKNESS: 8
20 ← MEDIA_TYPE: GAP
21 ← PRINT WIDTH: 800
22 ← LABEL LENGTH: 80
23 ← BACKFEED DISABLE
24 ← CUTTER DISABLE
25 ← PEELER DISABLE
26 ← CUTTER/PEELER OFFSET: 0
27 ← R(X,Y) =R(0,0)
28 ← H. POSITION ADJUST : 0000
29 ← CALIBRATION TYPE: MODE 1
30 ← M(0,0,0,0)
31 ← Ethernet version: 0.90
32 ← IP_address: 192,168,1,100
33 ← Subnet_mask:255,255,255,0
34 ← Gateway: 192,168,1,100
35 ← MAC_address:00-11-E5-01-81-56
36 ← SNMP: DISABLE
37 ← s(0 , 0)
38 ← U0,0,0,0,37888,0
39 ← 0,0,0,0,0,0,0,0,0,0,
40
41
42
43
44
45
46
47
48
49
50
51
52
53
54
55
56
57
58
59
60
61
62
63
64
65
66
67
68
69
70
71
72
73
74
75
76
77
78
79
80
81
82
83
84
85
86
87
88
89
90
91
92
93
94
95
96
97
98
99
100
101
102
103
104
105
106
107
108
109
110
111
112
113
114
115
116
117
118
119
120
121
122
123
124
125
126
127
128
129
130
131
132
133
134
135
136
137
138
139
140
141
142
143
144
145
146
147
148
149
150
151
152
153
154
155
156
157
158
159
160
161
162
163
164
165
166
167
168
169
170
171
172
173
174
175
176
177
178
179
180
181
182
183
184
185
186
187
188
189
190
191
192
193
194
195
196
197
198
199
200
201
202
203
204
205
206
207
208
209
210
211
212
213
214
215
216
217
218
219
220
221
222
223
224
225
226
227
228
229
230
231
232
233
234
235
236
237
238
239
240
241
242
243
244
245
246
247
248
249
250
251
252
253
254
255
256
257
258
259
260
261
262
263
264
265
266
267
268
269
270
271
272
273
274
275
276
277
278
279
280
281
282
283
284
285
286
287
288
289
290
291
292
293
294
295
296
297
298
299
300
301
302
303
304
305
306
307
308
309
310
311
312
313
314
315
316
317
318
319
320
321
322
323
324
325
326
327
328
329
330
331
332
333
334
335
336
337
338
339
340
341
342
343
344
345
346
347
348
349
350
351
352
353
354
355
356
357
358
359
360
361
362
363
364
365
366
367
368
369
370
371
372
373
374
375
376
377
378
379
380
381
382
383
384
385
386
387
388
389
390
391
392
393
394
395
396
397
398
399
400
401
402
403
404
405
406
407
408
409
410
411
412
413
414
415
416
417
418
419
420
421
422
423
424
425
426
427
428
429
430
431
432
433
434
435
436
437
438
439
440
441
442
443
444
445
446
447
448
449
450
451
452
453
454
455
456
457
458
459
460
461
462
463
464
465
466
467
468
469
470
471
472
473
474
475
476
477
478
479
480
481
482
483
484
485
486
487
488
489
490
491
492
493
494
495
496
497
498
499
500
501
502
503
504
505
506
507
508
509
510
511
512
513
514
515
516
517
518
519
520
521
522
523
524
525
526
527
528
529
530
531
532
533
534
535
536
537
538
539
540
541
542
543
544
545
546
547
548
549
550
551
552
553
554
555
556
557
558
559
560
561
562
563
564
565
566
567
568
569
570
571
572
573
574
575
576
577
578
579
580
581
582
583
584
585
586
587
588
589
590
591
592
593
594
595
596
597
598
599
600
601
602
603
604
605
606
607
608
609
610
611
612
613
614
615
616
617
618
619
620
621
622
623
624
625
626
627
628
629
630
631
632
633
634
635
636
637
638
639
640
641
642
643
644
645
646
647
648
649
650
651
652
653
654
655
656
657
658
659
660
661
662
663
664
665
666
667
668
669
670
671
672
673
674
675
676
677
678
679
680
681
682
683
684
685
686
687
688
689
690
691
692
693
694
695
696
697
698
699
700
701
702
703
704
705
706
707
708
709
710
711
712
713
714
715
716
717
718
719
720
721
722
723
724
725
726
727
728
729
730
731
732
733
734
735
736
737
738
739
740
741
742
743
744
745
746
747
748
749
750
751
752
753
754
755
756
757
758
759
760
761
762
763
764
765
766
767
768
769
770
771
772
773
774
775
776
777
778
779
780
781
782
783
784
785
786
787
788
789
790
791
792
793
794
795
796
797
798
799
800
801
802
803
804
805
806
807
808
809
810
811
812
813
814
815
816
817
818
819
820
821
822
823
824
825
826
827
828
829
830
831
832
833
834
835
836
837
838
839
840
841
842
843
844
845
846
847
848
849
850
851
852
853
854
855
856
857
858
859
860
861
862
863
864
865
866
867
868
869
870
871
872
873
874
875
876
877
878
879
880
881
882
883
884
885
886
887
888
889
890
891
892
893
894
895
896
897
898
899
900
901
902
903
904
905
906
907
908
909
910
911
912
913
914
915
916
917
918
919
920
921
922
923
924
925
926
927
928
929
930
931
932
933
934
935
936
937
938
939
940
941
942
943
944
945
946
947
948
949
950
951
952
953
954
955
956
957
958
959
960
961
962
963
964
965
966
967
968
969
970
971
972
973
974
975
976
977
978
979
980
981
982
983
984
985
986
987
988
989
990
991
992
993
994
995
996
997
998
999
1000

1. Firmware Version Information
2. Standard RAM Size
3. Available RAM Size
4. Flash Type
5. Available Flash Size
6. Font Symbol Set
7. Print Mode (Thermal Transfer or Direct Thermal)
8. Sensor type (See-Through or Reflective)
9. Label-less Calibration Value
10. No. of downloaded Soft Fonts
11. RTC Time
12. No. of downloaded Argox Format Fonts
13. Cut Count
14. Label Length Meter
15. RS232 Protocols
16. Check Sum
17. Speed/Darkness
18. Media Type
19. Print Width
20. Label Length
21. Backfeed Disable/Enable
22. Cutter Disable/Enable
23. Peeler Disable/Enable
24. Cutter/Peeler Offset value
25. R(X,Y)
26. H. position adjust
27. Calibration Type Mode
28. Ethernet Module Version
29. IP Address
30. Subnet Mask
31. Gateway

32. Mac Address

33. SNMP

34. DIP switch

Switch	ON	OFF
2	Direct Thermal	Default

35. Font Image

Remark :

What continue after the parameters are test patterns of print head.

Resetting to Factory Default Settings

To reset the printer to factory default settings:

1. Turn off the printer.
2. Press and hold the CANCEL button and turn on the printer.
3. When “RESET ...” is displayed on the LCD and the READY indicator blinks, release the CANCEL button.
(The Ethernet models will first prompt “ETHERNET CARD INITIALIZING” on LCD after Power-on and then show the “RESET ...” message as described above.)
4. When “READY” is displayed on the LCD, the READY indicator stops blinking but remains illuminated.
5. The following information is now back to defaults:
 - Label parameters
 - Heat (Darkness)
 - Speed
 - Symbol set (language)
 - Others for specific emulation

Notes:

1. For X-1000VL, the steps about LCD can be ignored.
2. Be cautioned that this will reset all printer settings back to defaults; if possible, print the configuration label in advance before reset.
3. All settings stored in FLASH memory are retained even after turning off the printer.
4. You must perform the calibration after resetting the printer.

3. Computer Connections

This printer comes with USB interface, a standard Centronics parallel interface, and a nine-pin Electronics Industries Association (EIA) RS-232 serial data interface.

USB Interface Requirements

The Universal Serial Bus (USB) interface is version 2.0 and 1.1 compliant and provides a full-speed (12Mb/s) interface that is compatible with your existing PC hardware. The USB's "plug and play" design makes installation easy. Multiple printers can share a single USB port/hub.

Centronics Parallel Port

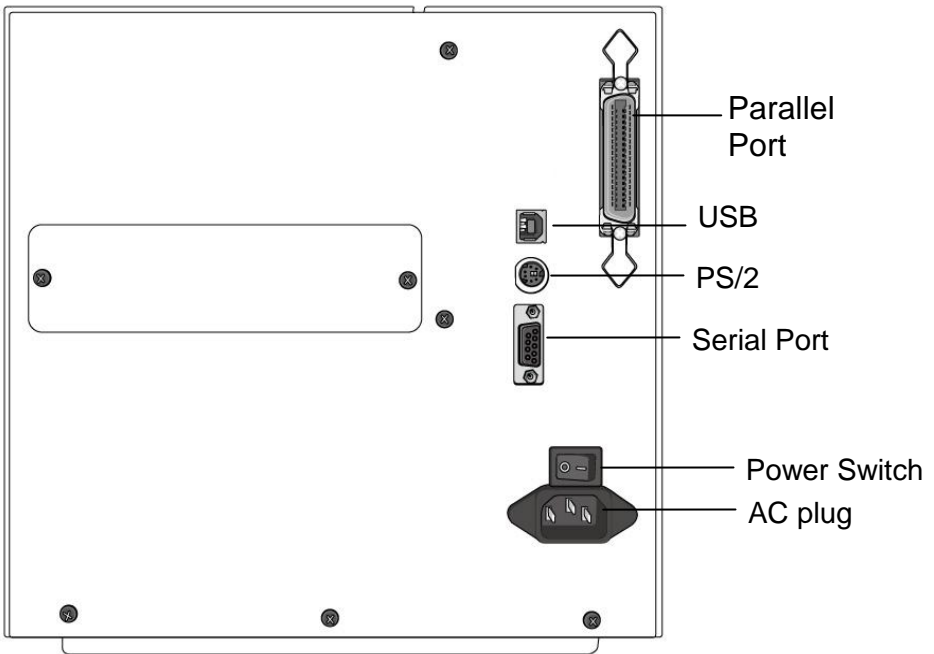
You can connect the printer to the host computer's parallel port using any standard Centronics cable. The required cable must have a standard 36-pin parallel connector on one end, which is plugged into the parallel port located on the back of the printer. The other end of the parallel interface cable connects to the printer connector at the host computer. For pin-out information, please refer to the Technical Reference in this manual.

Serial (RS-232) Port

The required cable must have a nine-pin "D" type male connector on one end, which is plugged into serial port located on the back of the printer. The other end of the cable connects to a serial port on the host computer. For technical and pin-out information, please refer to the Technical Reference in this manual.

Note:

1. Centronics allows a much higher communication speed than serial.
2. The pin assignment of serial cable is different from PC. Please contact your local Argox reseller if you need this cable.



Ethernet 10/100 Internal Printer Server Option

X-2300E / X-2300ZE / X-3200E / X-3200ZE models provide Ethernet interface (RJ45), which allows host in a local area network to conveniently use several printers by Ethernet connectivity at the same time.

Note:

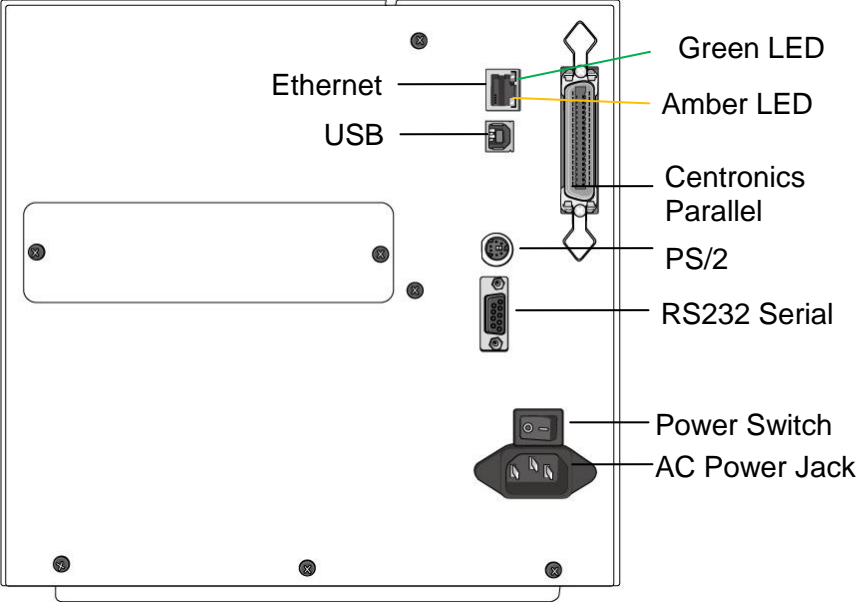
When using Ethernet model printer, please wait till the Ready Indicator to stop blinking, before starting printer operations.

Ethernet Module Status Indicators

The indicators with two different colors help users understand status of Ethernet:

LED Status	Description	
Both Off	No Ethernet link detected.	
Blinking	The printer waits for printer ready. It will take about 20~30 seconds to be ready.	
Green	Speed LED	On: 100 Mbps link Off: 10 Mbps link
Amber	Link/Activity LED	On: link up Off: link down Flash: activity

Ethernet indication:



Communicating with the Printer

The bundled printer driver can be applied to all applications under Windows XP/ Vista/ Windows 7, supporting 32-bit/ 64-bit operation systems. With this driver you can operate any popular Windows software applications including Argox Bartender UL label editing software or MS Word, etc., to print to this printer.

The following installation steps are based on **X-3200** as an example. The screens included for these steps are taken from Windows XP; steps in other versions of operation systems are similar. Drivers can be installed via the CD-Rom included in printer package; or it can be downloaded from Argox website >> Technical Support >> Download Center >> select product model to access: <http://www.argo.com/content.php?sno=0000033>

Installing a Plug and Play printer driver (for USB only)

Note:

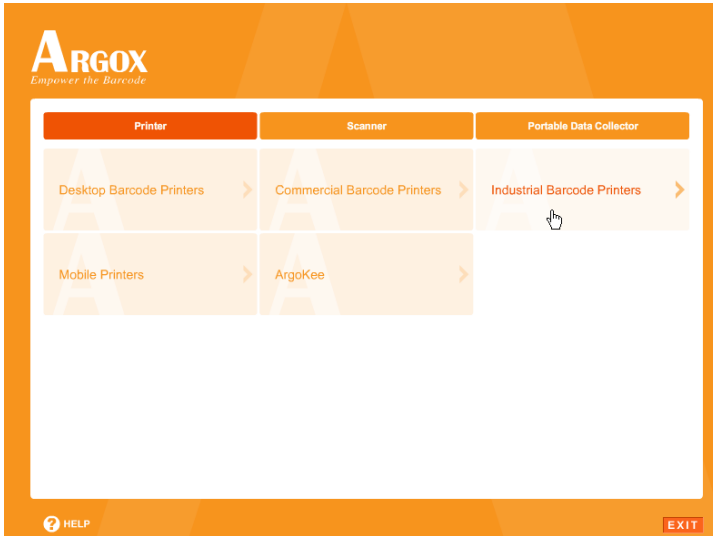
We strongly recommend that you use the Seagull Driver Wizard instead of the Microsoft Windows Add Printer Wizard when installing and updating your Drivers by Seagull.

(Even though the "Add Printer Wizard" is from Microsoft, it too easily performs a number of tasks incorrectly when updating existing drivers. It also badly handles the situation where a printer driver is already in use by a Windows application.)

1. Turn off the printer. Plug the power cable into the power socket on the wall, and then connect the other end of the cable to printer's power socket. Connect the USB cable to the USB port on the printer and on the PC.
2. Turn on the printer. If the printer supports Plug-and-Play, and you have successfully connected it using a USB cable, then the Windows Add Hardware Wizard will automatically detect the printer and display a dialog that allows you to install a driver. Click Cancel and do not install the driver using this wizard.
3. Prepare the documentation and software CD-Rom from printer package and then install to CD-Rom drive of your computer. The CD-Rom will bring out the following prompt. Click "Go":

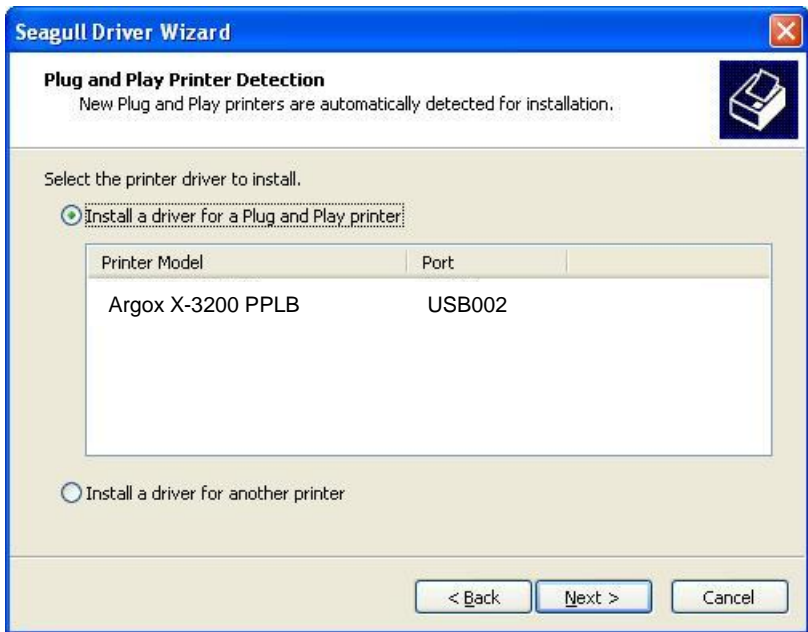


4. Choose Industrial Barcode Printers on the screen, go to X-3200 product page, click on version of Seagull driver and then start installation:



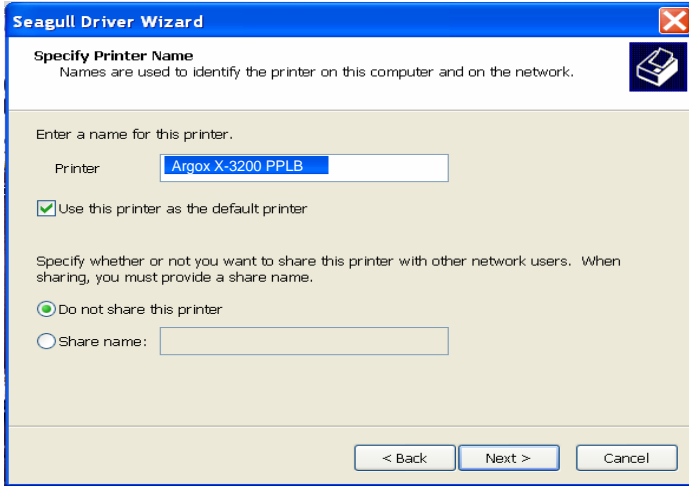
Instead of the flash prompt above, another way to install Seagull driver is to run the DriverWizard utility from the Installation Directory where the Seagull driver files locates.

5. On the Seagull Driver Wizard prompt, select the first radio button to “Install a driver for a Plug and Play printer”:



Then click “Next.”

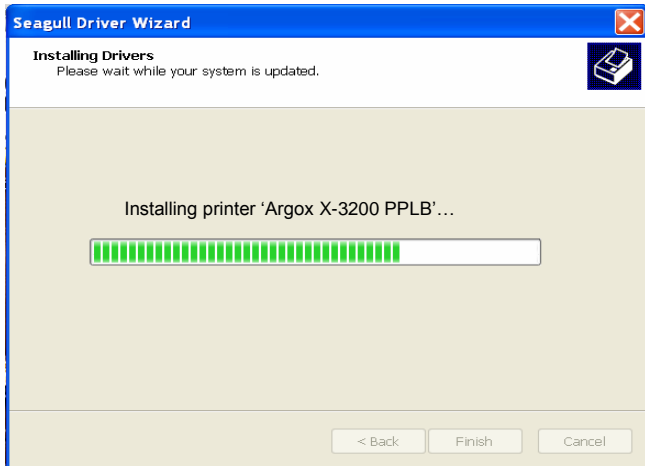
6. Enter Printer name (i.e. Argox X-3200 PPLB) and select "do not share this printer", and click "Next"



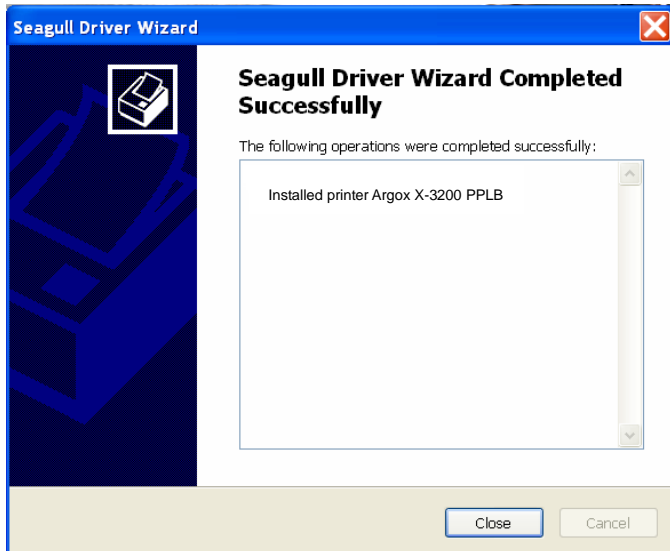
7. Check all the data on the showing screen, if it is correct, click "Finish".



8. After the related files have been copied to your system, click "Finish".



9. After driver installation is complete, click "Close".
The driver should now be installed.

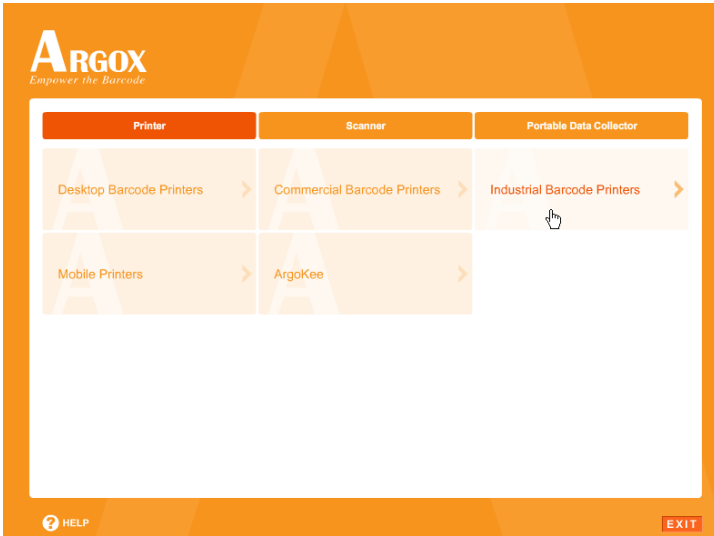


Installing a Printer Driver (for other interfaces except USB)

1. Turn off the printer. Plug the power cable into the power socket on the wall, and then connect the other end of the cable to printer's power socket. Connect the Parallel cable, Serial cable, or Ethernet cable to the proper port on the printer and on your computer.
2. Prepare the documentation and software CD-Rom from printer package and then install to CD-Rom drive of your computer. The CD-Rom will bring out the following prompt. Click "Go":

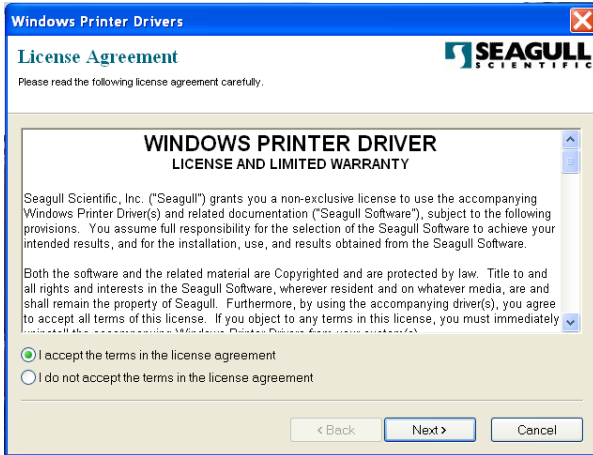


- Choose Industrial Barcode Printers on the screen, go to X-3200 product page, click on version of Seagull driver and then start installation:

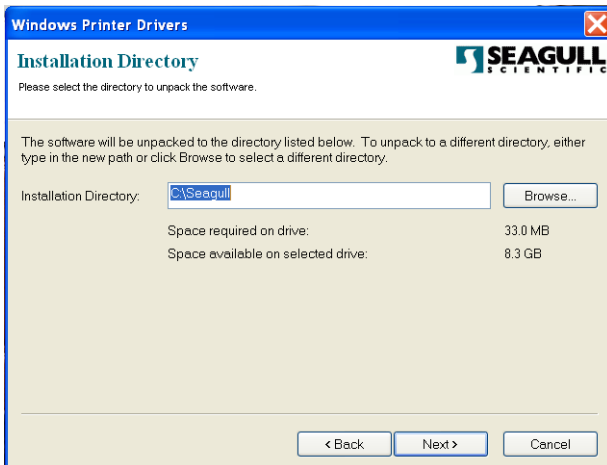


Instead of the flash prompt above, another way to install Seagull driver is to run the DriverWizard utility from the Installation Directory where the Seagull driver files locates.

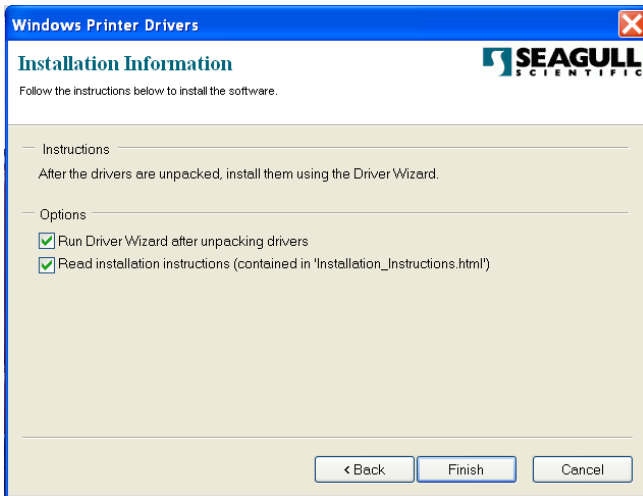
4. On the prompt, Windows Printer Driver, select "I accept..." and click "Next".



5. Assign the directory to keep Seagull driver, (for example: C:\Seagull) and click "Next".



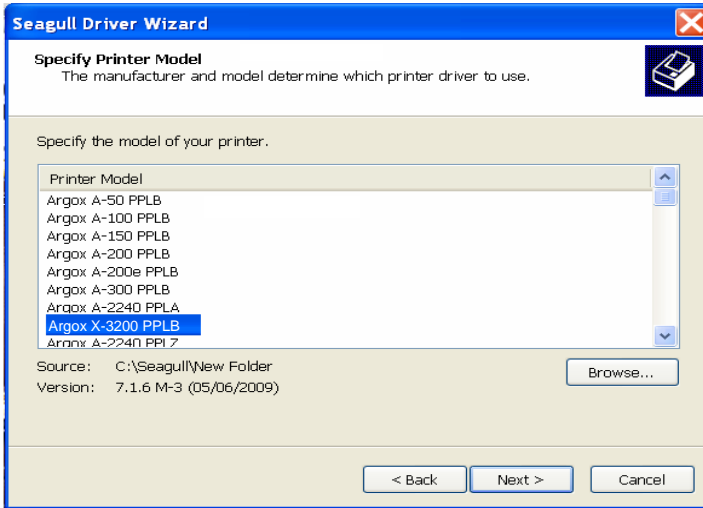
6. Click "Finish".



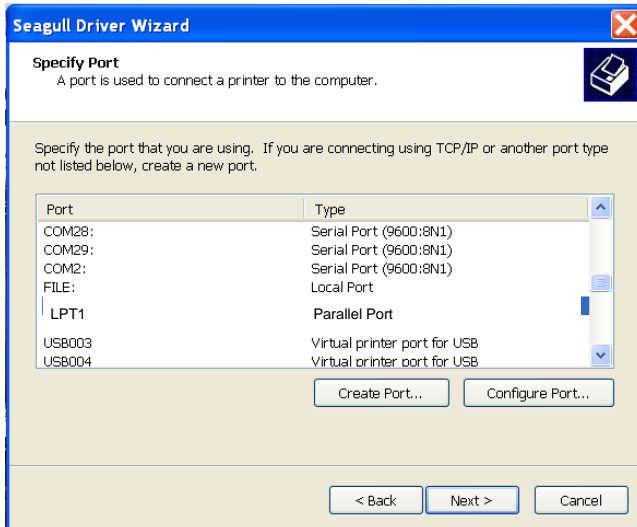
7. Select Install printer drivers and Click "Next"



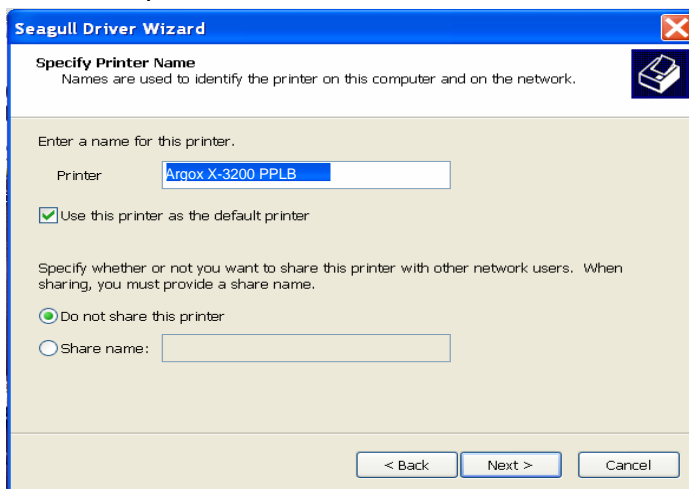
8. Select model & emulation - the following examples are based on model X-3200 PPLB:



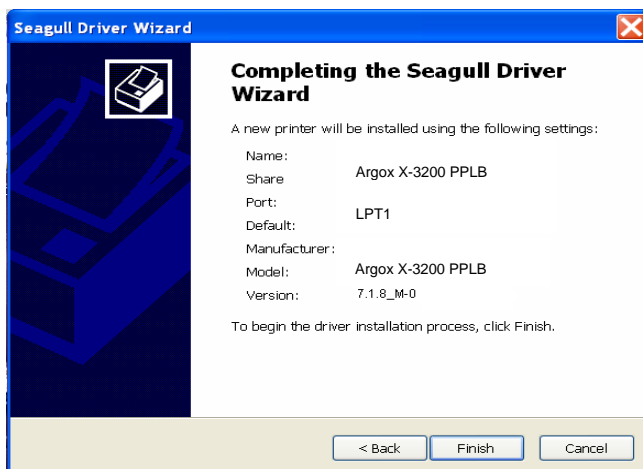
9. Select the port of the printer and click "Next".



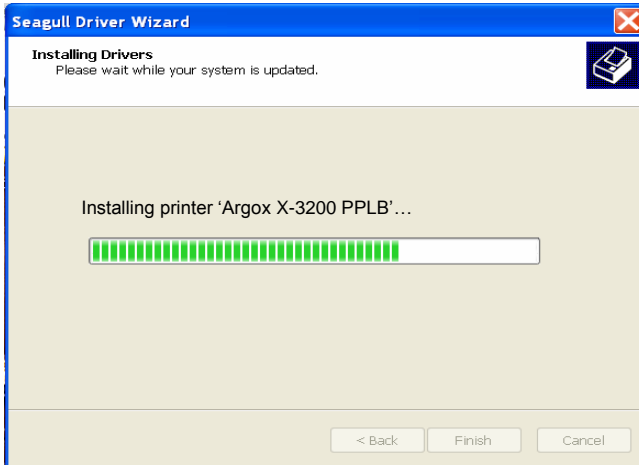
10. Enter Printer name (i.e. Argox X-3200 PPLB) and select "do not share this printer", and click "Next".



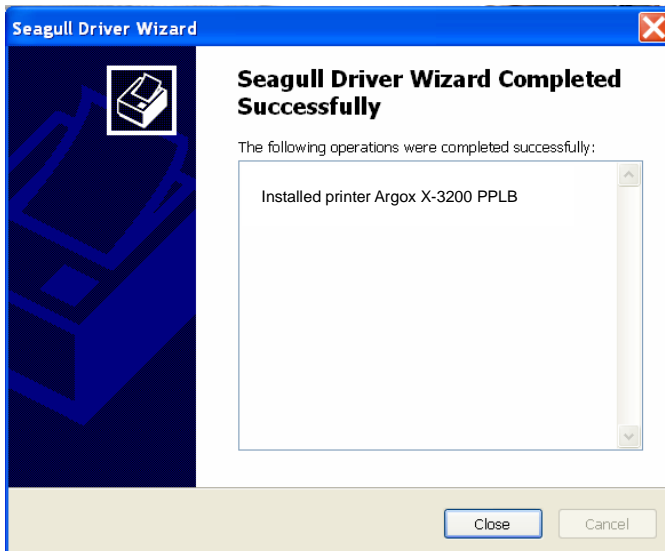
11. Check all the data on the showing screen, if it is correct, click "Finish".



12. After the related files have been copied to your system, click "Finish".



13. After driver installation is complete, click "Close".
The driver should now be installed.



4. Troubleshooting

Normally, if the printer is not working properly, the "READY" LED blinks continuously, and printing and communication between the host and printer stops.

LED and LCD Diagnosis

Blinking LEDs indicate a problem. Check the LEDs and the LCD display and refer to the following solutions:

Media Problems

LED/LCD	Indication
READY and MEDIA LEDs	Blinking
LCD Display	MEDIA OUT

Possible Problems	Solutions	Remarks
Miss-detected gap	Check the media path Check the position of the label sensor	For continuous media, check application and driver, and select continuous media.
Media out	Supply the media roll	
Media not installed	Install the media roll	
Media jam	Recover the jam	

Note: If problem continues perform a label sensor calibration.

Ribbon Problems

LED/LCD	Indication
READY and RIBBON LEDs	Blinking
LCD Display	RIBBON OUT

Possible Problems	Solutions	Remarks
Ribbon out	Supply the ribbon roll	Not applicable to direct thermal.
Ribbon jam	Recover the jam	
Ribbon sensor error	Replace ribbon sensor	

Note: If you use direct thermal, set with panel, Windows driver or command.

Other Problems

LED	Indication
READY LED	Blinking

Problems	Solutions	Remarks
Serial IO error	Check the baud rate, format or protocol between host and printer	Not for Centronics

Cutter failed	<ul style="list-style-type: none"> • Check the media. • Check the connection between cutter and main board. • Call for service. 	
Memory full	Check graphics and soft fonts from host. Delete by application software for those no longer in use.	Need to reboot the system.

Note: After problem is solved, press CANCEL to continue printing.

Printer Status

LCD display	Blinking LED	Description
PAUSE	READY	Printer is paused. Press PAUSE or CANCEL to return to normal.
MEDIA OUT	MEDIA READY	Media is uninstalled or used up. Load new media to the printer.
RIBBON OUT	RIBBON READY	Ribbon is uninstalled or end-of-ribbon occurred. Load new ribbon to the printer.
SERIAL IO ERROR	READY	Format or baud rate of RS232 communication is inconsistent between printer and host.
CUTTER FAILED	READY	Cutter cannot cut off the media, check media and cutter.
MEMORY FULL	READY	Printer buffer full due to loaded soft fonts,

		graphics or forms. Check data format. Call for service.
SENSOR O.R.	READY	Media calibration is out of range for sensor detection. Make sure media is loaded and media sensor locates under media.
PRINT HEAD HEAT	MEDIA	Printing job will start until the temperature of TPH goes down.
HEAD OPEN	READY	Print head latch is not closed. To print label the head latch must be closed.

Transmission Problems

If the host shows "Printer Time out"

1. Check if the communication cable (parallel or serial) is connected securely to your parallel or serial port on the PC and to the connector on the printer at the other end.
2. Check if the printer power is turned on.

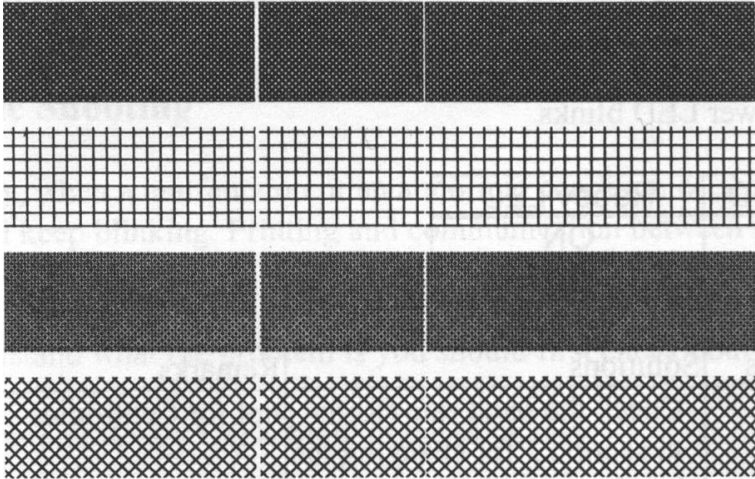
If the data has been sent, but there is no output from the printer. Check the active printer driver, and see if Seagull Driver for your Windows system and the label printer has been selected.

Recovery

After correcting problems, simply press the CANCEL button or restart the printer. Make sure the LEDs are not blinking and remember to resend your files.

Printer Maintenance

Vertical streaks in the printout usually indicate a dirty or faulty print head. (Refer to the following examples.) Clean the print head. If the problem persists, replace the print head.



For unstable ribbon roll rotation, check the label path and make sure the head latch is securely closed.

Poor printout quality:

- The ribbon may not be qualified.
- The media may not be qualified.
- Adjust the Darkness (heat temperature).
- Slow down the print speed.
- Refer to the following and clean the related spare parts.

Cleaning the Print Head

To keep the Print Head remain in the best conditions and efficiency and to extend duration for use, regular cleaning action is needed.

Note: Turn off the printer before cleaning.

Clean the print head as follows:

1. Turn off the printer.
2. Open the top cover to access the print head module
3. Remove the ribbon.
4. Rub the print head with a cotton bud moistened with “Ethanol” or “IPA”.
5. Check for any traces of black coloring or adhesive on the cotton after cleaning.
6. Repeat if necessary until the cotton is clean after it is passed over the head.

Cleaning Interval

It's strongly recommended to regularly clean print heads at least when changing every one label roll (in direct thermal printing mode) or every one ribbon roll (in thermal transfer printing mode). In addition, if printers are operated under critical applications and environments, or if it's found that print quality is degraded, please clean print heads more frequently.

Cleaning Material

Surface of print head's heating element is very fragile. To prevent from any possible damage, please use soft cloth/ cotton buds with “Ethanol” or “IPA” to clean print head surface.

It's strongly recommended to wear hand gloves during cleaning progress.

Do not touch print head surface by bare hands or with any hard equipment.

Water or spit should be kept away in case of corrosion on heating elements.

Cleaning Direction

When cleaning the print head, always wipe in One-Way Direction - from Left to Right only, or, from Right to Left only, to clean "Heating Line" of print head gently without excessive stress.

Do not wipe back and forth, to avoid dust or dirt on cleaning cotton would be attached onto print head again.

Special Caution:

Warranty of print heads will be void if print head serial number is removed, altered, defected, or made illegible, under every circumstance.

Cleaning the Roller

Using a cotton bud moistened with alcohol, clean the roll and remove any attached glue.

Note: Clean the roller after it has been in contact with foreign materials such as dust or adhesives.

Cleaning the Media Compartment

Clean the media compartment with a cotton bud that has been moistened with a mild detergent. Every time a media roll is printed, you should clean this compartment to reduce the incidence dust.

5. Advanced Installation and Adjustment

This chapter describes installation and adjustment procedure for X series industrial printers. It's recommended to be carried out by technicians, in order to keep overall printing performance.

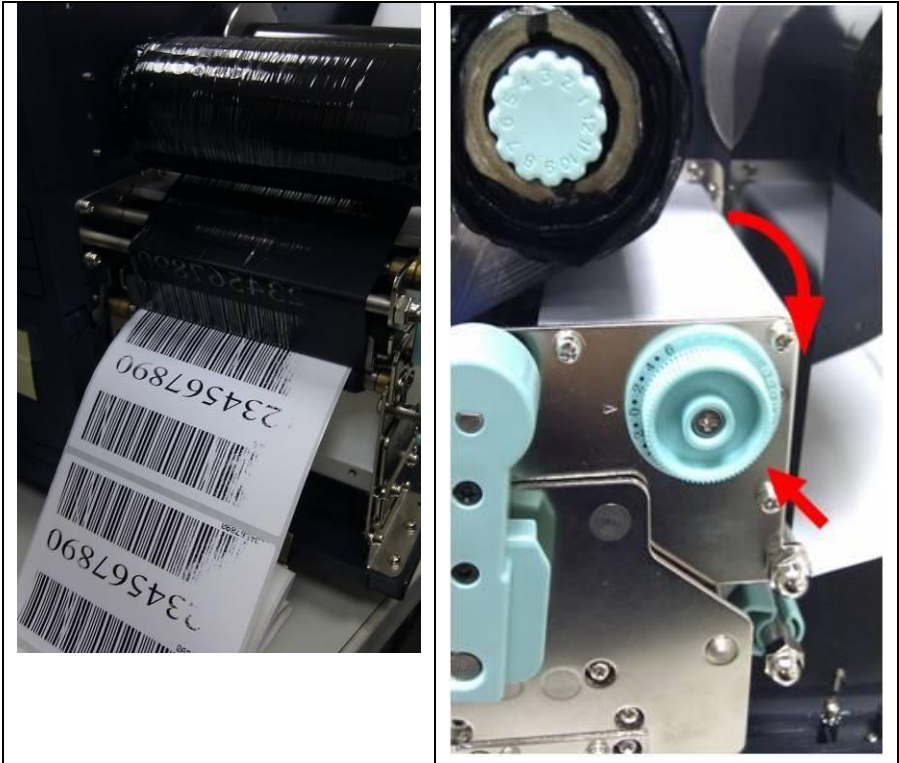
Print Head Pressure

Printing quality can be fine adjusted based on which area on the label the printing quality discrepancy is located.

A. Right Hand Side Enhancement

If the phenomena as shown in Fig. 1 been observed, please turn the Fine Adjustment Knob clockwise slightly then try printing again to justify the printing quality improvement as shown in Fig.2. Repeat the same process until the printing quality is well balanced on both ends of the label.

Figure 1	Figure 2
----------	----------



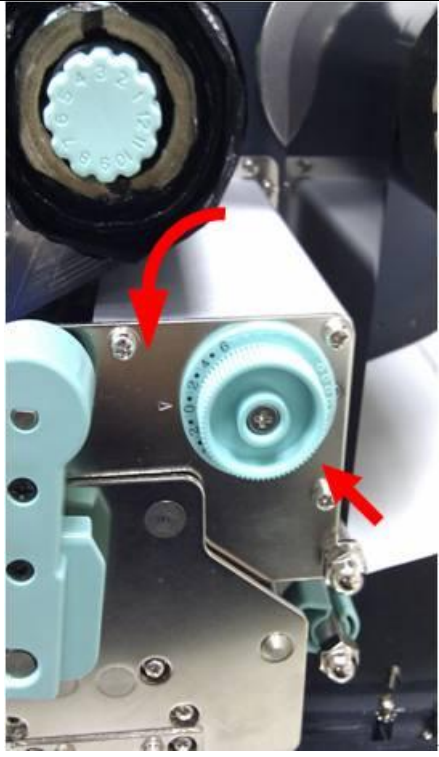
B. Left Hand Side Enhancement

If the phenomena as shown in Fig. 3 been observed, please turn the Fine Adjustment Knob counter-clockwise slightly then try printing again to justify the printing quality improvement as shown in Fig.4. Repeat the same process until the printing quality is well balanced on both ends of the label.

Figure 3



Figure 4



Once the desired quality has been reached, please make note on the new setting of the Fine Adjustment Knob and the type number of ribbon been used in this printing task for future reference.

[Remark]:

Please note, as shown in Fig. 2 and Fig. 4, the Fine Adjustment Knob is set to “ 0 “ as default setting when shipped from Argox factory.

Print Head Print Line Position

When the label only exhibits locally inferior printing quality and the ribbon is not wrinkled, the position of the print head shall be adjusted, and the adjusting position is shown as Fig. 1. The viewing direction is facing the machine, and using hex socket screw driver for the adjustment.

The adjusting portions for two hex socket screw locks marked in Fig. 1 are shown in Fig. 2 and Fig. 3. When the right side of the label exhibits inferior printing quality, as shown in Fig. 2, the screw at the right side shall be adjusted. When the left side of the label exhibits inferior printing quality, as shown in Fig. 3, the screw at the left side shall be adjusted. The adjusting steps are as follows:

1. Clockwise rotate the screw a half circle and test printing; observe whether the printing quality has been gradually improved or not; and stop the adjustment if the quality is improved.
2. Repeat Step 1; if the printing quality has not been gradually improved after five times, counterclockwise rotate five circles back to the original position and then proceed Step 3.
3. Counter-clockwise rotate the screw a half circle and test printing; observe whether the printing quality has been gradually improved or not; and stop the adjustment if the quality is improved.

Figure 1

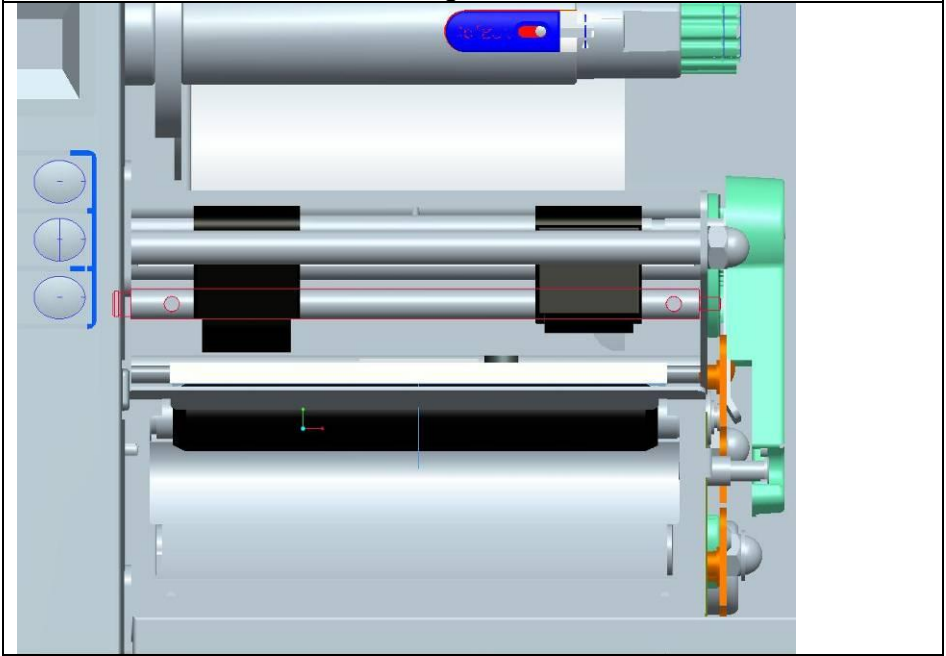


Figure 2



Figure 3



Ribbon Tension Adjustment

Both ribbon supply spindle and ribbon pickup spindle are equipped with control knobs to adjust ribbon tension. The control knobs can rotate to both directions. Rotate the control knob clockwise to increase ribbon tension; rotate it counter-clockwise to reduce ribbon tension.

If the ribbon is wrinkled at ribbon supply, rotate clockwise control knob of ribbon supply, to increase ribbon tension at ribbon supply and further improve ribbon wrinkle. However, please be noted, too much tension at ribbon supply may result in ribbon not moving smoothly. Once it happens, rotate counter-clockwise control knob of ribbon supply, to increase ribbon tension to balance the tension.

If the ribbon is wrinkled at ribbon pickup, rotate counter-clockwise control knob of ribbon pickup, to decrease ribbon tension at ribbon pickup and further improve ribbon wrinkle. If the tension is too little at ribbon pickup, ribbon will not move smoothly, and needs control knob to rotate clockwise to increase tension.

[Remark]:

The ribbon shaft has its user-friendly feature to allow users to adjust the tension of ribbon shaft by rotating the knob. User can reset to factory default tension by adjusting the ribbon shaft while the black line was aligned to the marked arrows. The default setting when shipped from Argox factory is shown as Figure 2 – the two arrows are in line with the black line.

Figure 1

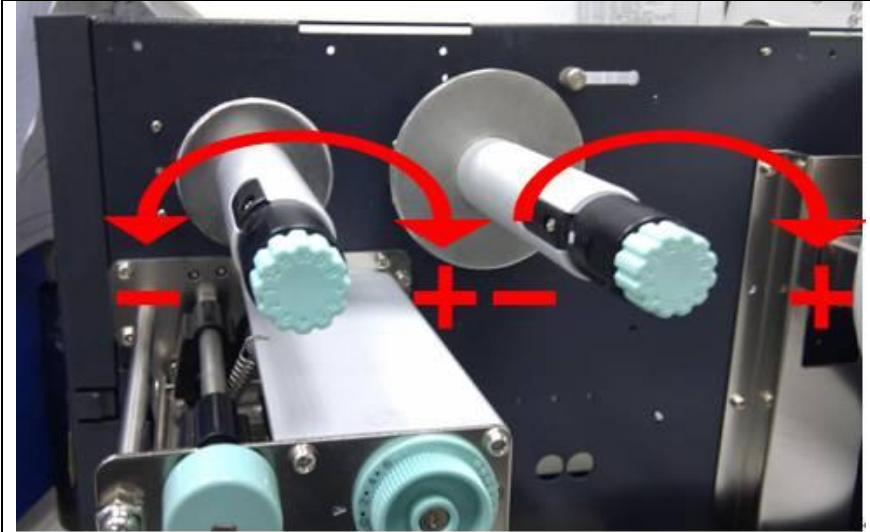
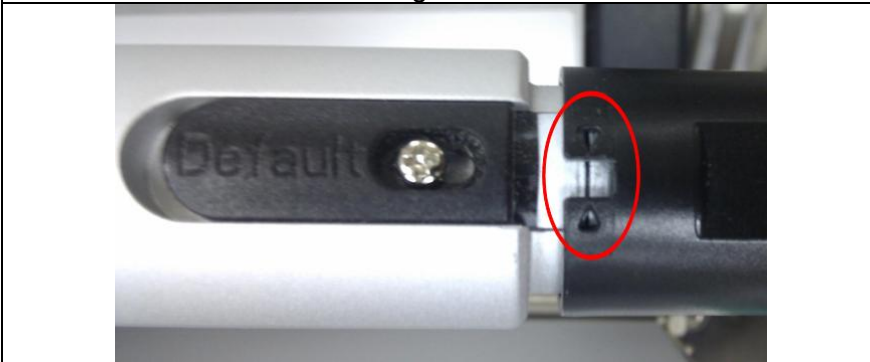


Figure 2



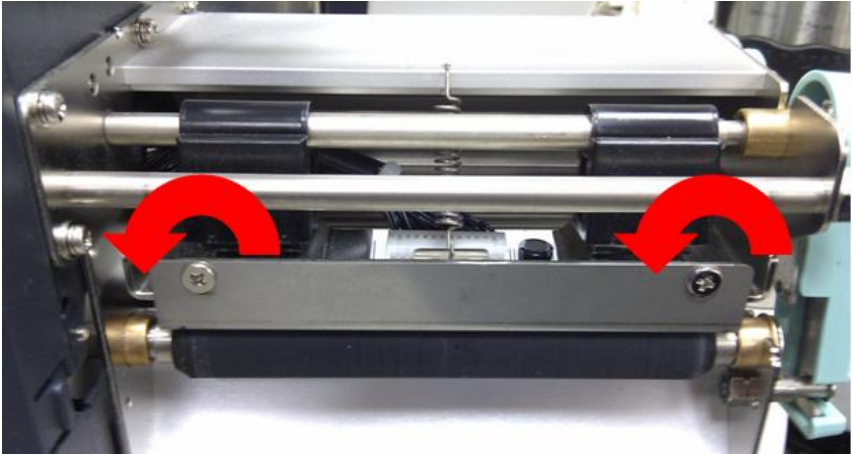
Printing Wrinkle

During printing, ribbon may wrinkle and cause abnormal printing quality. The following describes how to solve ribbon wrinkle accordingly.



Once the printouts as above appear, the possible cause may be the unequal positions of Ribbon Bracket, which needs to be adjusted properly to make its heights equally the same at both sides. Steps to adjust are as below:

1. Loose the screws at both sides and rotate counter-clockwise:



2. Make sure the Ribbon Bracket is at its lowest position first; then tight up the screws by rotating clockwise.



3. Print a test page to check print quality. If the quality is improved, stop the adjustment; if not, continue with next step.

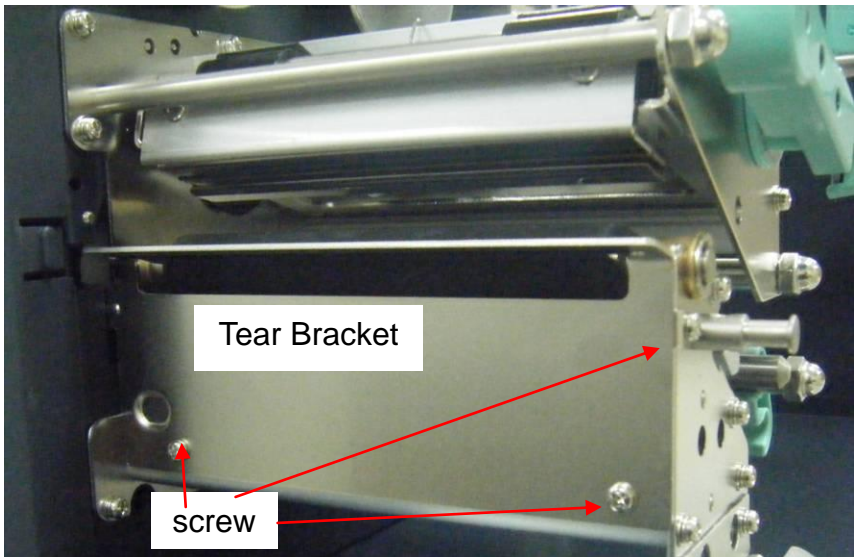
4. If the test print appears as Figure A, remain the screw at the right of Ribbon Bracket fixed, then loose the screw at the left, and gradually fine-tune upward, until the print quality gets improved.

If the test print appears as Figure B, remain the screw at the left of Ribbon Bracket fixed, and then loose the screw at the right, and gradually fine-tune upward, until the print quality gets improved.

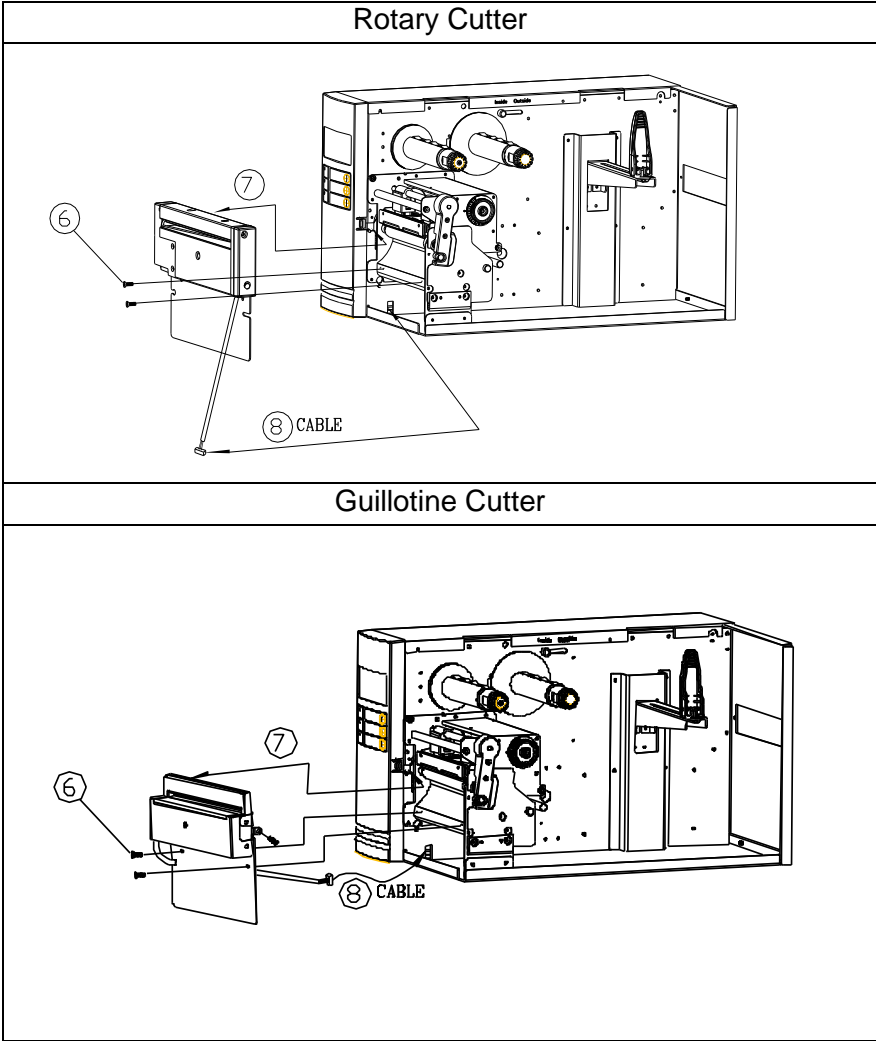
Rotary Cutter and Guillotine Cutter Installation

Refer to the following steps to install the cutter kit onto printers:

1. Turn off the printer.
2. Remove the top covers on both left and right sides.
3. Install the Cutter Baby Board to the main board **JP17** socket of **X-1000VL, X-2000V, X-2000V Zip / JP15** socket of **X-3200, X-3200Z, X-3200E, X-3200ZE, X-2300E, X-2300ZE**.
4. Loose the three screws from Tear-off Bracket and then remove Tear Bracket.



5. Insert the left side of cutter bracket (7) and secure the two screws (6) to the print module.



6. Thread the cutter cable through hole (8) and route it to the JP16 connector (CUTTER) on the **X-1000VL/ X-2000V/ X-2000V Zip** main boards, or to the JP14 connector (CUTTER) on the main board of **X-3200/ X-3200Z/ X-3200E/ X-3200ZE/ X-2300E/ X-2300ZE**.
7. Turn on the printer.
8. For the X-2000V/ X-2000V Zip/ X-3200/ X-3200Z/ X-3200E/ X-3200ZE/ X-2300E/ X-2300ZE models with LCD, set the parameter of “CUTTER INSTALLED” on the LCD to the ON position. For the X-1000VL model, ignore this step.

After the cutter is installed, install media and ribbon.

1. Put the media end on the roller.
2. Close the print head latch.
3. Hold the PAUSE button and turn on the printer.
4. Release the button when the cutter starts cutting.
5. After cutting, the printer will feed the label for 8 inches.

Note: The procedure above is for first time installation or after cutter jam. Normally the procedure for loading the media through the cutter is:

1. Put the media end on the roller.
2. Close the print head latch.
3. Turn on the printer.
4. Press the FEED button to feed the media end through the cutter.

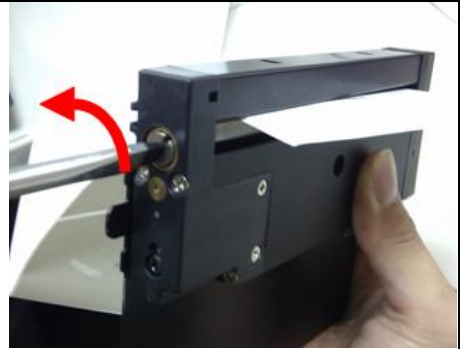
Rotary Cutter with Paper Jam

If there is paper jam inside rotary cutter, refer to Rotary Cutter Installation section to remove the rotary cutter. Check the Cam as marked in Figure 1, find a slotted screwdriver to turn counter-clockwise as Figure 2. During turning the Cam of cutter, release the blade from paper and them remove the paper from the cutter.

Figure 1

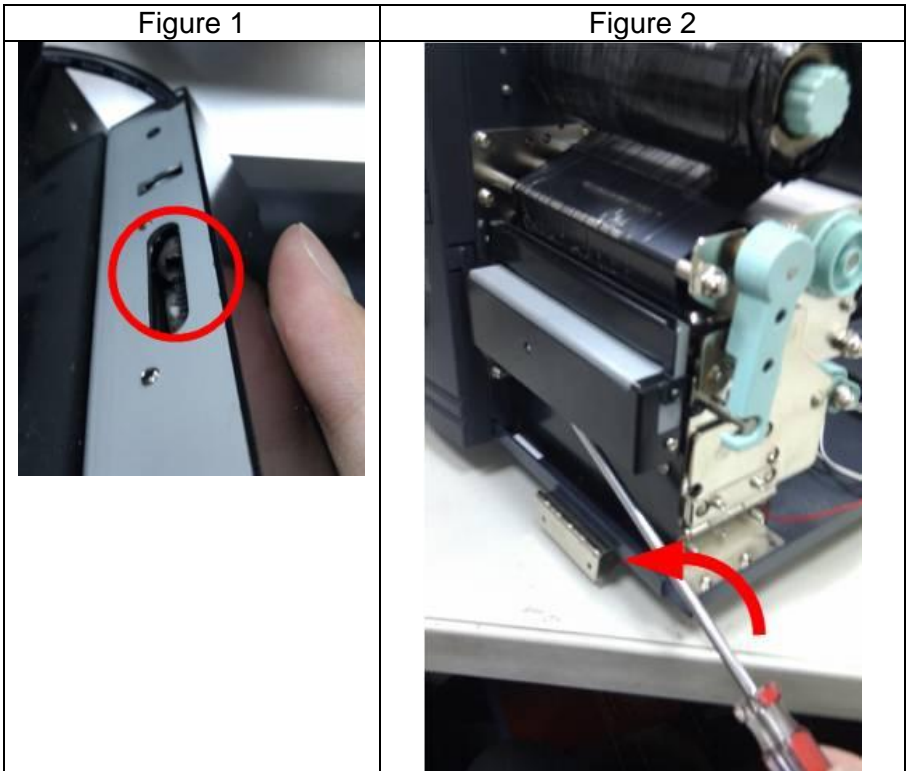


Figure 2



Guillotine Cutter with Paper Jam

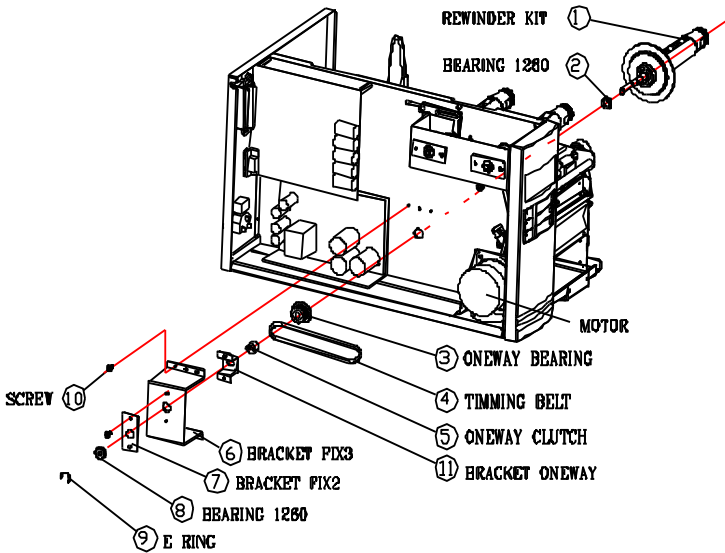
If there is paper jam inside guillotine cutter, check in Figure 1 and find where the screw under guillotine cutter. It is to control cut actions of guillotine cutter. Find a Phillips screwdriver to lay down the blade by turning the screw counter-clockwise. Then paper can be removed from the cutter as Figure 2.



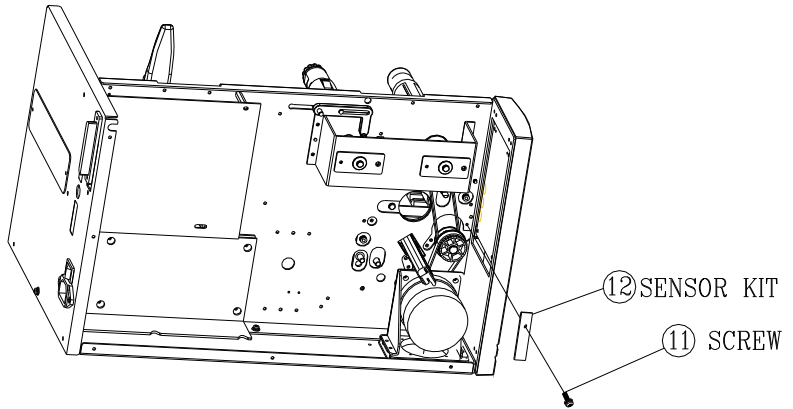
Dispenser Installation

Install a dispenser into the printer as follows:

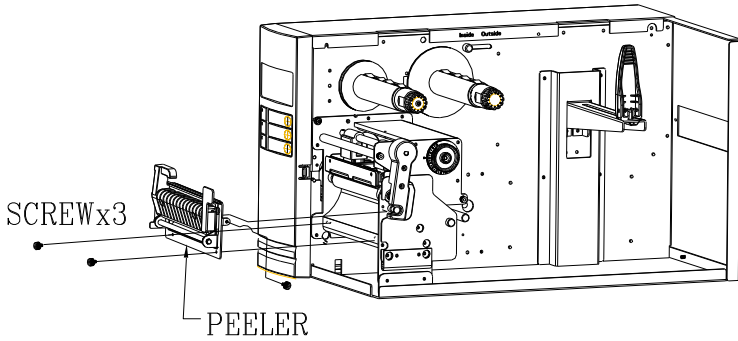
1. Turn off the printer.
2. Remove the top cover on both left and right sides.
3. Assemble the related components for both left and right sides. Check below:



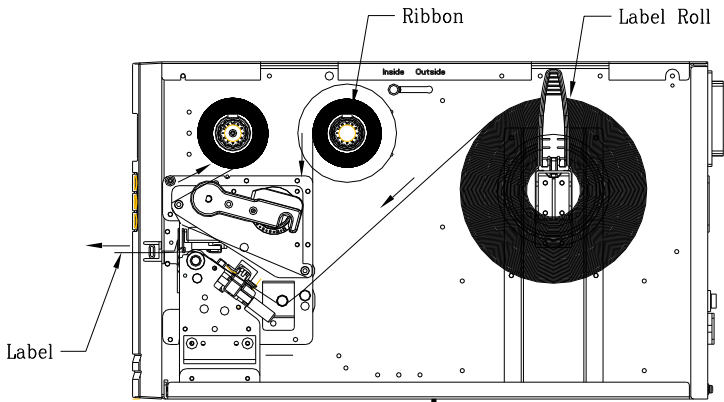
4. Connect the Peeler sensor to main board **JP15** socket of **X-1000VL, X-2000V, X-2000V Zip / JP12** socket of **X-3200, X-3200Z, X-3200E, X-3200ZE, X-2300E, and X-2300ZE**. Secure the dispenser board onto printer case.



5. Insert the left side of dispenser bracket and secure the three screws to the TPH module.



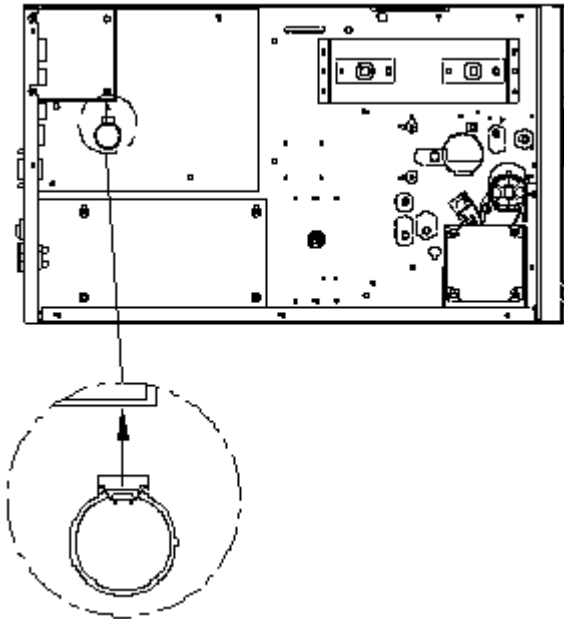
6. Install the ribbon and media.



7. Turn on the printer.
8. For the X-2000V/ X-2000V Zip/ X-3200/ X-3200Z/ X-3200E/ X-3200ZE/ X-2300E/ X-2300ZE models, set the parameter of “DISPENSER INSTALLED” on the LCD to the ON position. For the X-1000VL, ignore this step.

RTC Battery Replacement

1. Turn off the printer; disconnect the AC power cable.
2. Open the left cover of printer.
3. Loosen the lock for RTC Battery on main board and then replace with a known good RTC battery.



Stand-alone with Keyboard

This section covers stand-alone operation with keyboard. It is applicable with printer models:

	Argokee			PS/2 Keyboard
Printer Language	PPLA	PPLB	Basic	PPLB only
Model	X-1000VL X-2000V X-3200 X-2300E X-3200E	X-1000VL X-2000V X-3200 X-2300E X-3200E	All models	X-2000V X-3200 X-2300E X-3200E

To use the printer in stand-alone operation with a keyboard follow the procedure described below:

1. Make a form for the keyboard. (The form should include “ZS” command to store to flash memory. Refer to the following command sample.)
2. Turn on the printer; download the form from PC to printer.
3. Turn off the printer.
4. Connect the keyboard to the keyboard interface.
5. Turn on the printer.
6. Check LCD for instructions of each data string/ label count/ copies; type to input data accordingly.

Form Control Functions

Key	Function
Esc	Enter or exit from keyboard mode
Backspace	Delete the last typed character
F1	Next form if more than one form exists
Enter	- Select the form - End of typed data

Example: Making a Keyboard Form

1. Make a command file for the form, KBD.FRM.

Command	Description
ZS	Enable store to flash
FK"KBDFORM"	Delete previous one
FS"KBDFORM"	Start of form
V00,15,N,"Product Name ?"	Variable and display message
C0,10,N,+1,"Product No. ?"	Counter and display message
Q50,24	Label dimension
q816	Label width
S2	Speed
D8	Darkness
ZT	Print from top
A550,20,0,4,1,1,R,"ABC COMPANY"	Fixed data
B550,60,0,2,2,4,40,B,C0	Barcode I25 for counter
A540,150,0,3,1,1,N,V00	Print the input product
FE	End of form
ZN	Disable store to flash

2. Send the file, KBD.FRM to printer under MS-DOS
>COPY/B KBD.FRM LPT1:

3. Turn off the printer, connect the keyboard and then turn on the printer. The LCD displays this message:

READY (203,PPLB)
<ESC> FOR KEYBD

4. Press <ESC> to enter the keyboard mode and the form name appears. Press <ENTER> to select the form.

KBDFORM
↵

5. Key-in the product name and number.

Product Name ?
Barcode Printer.↵

Product No. ?
0123456789.↵

6. Input the label count and copy count.

LABEL SET NO. ?
2.↵

COPIES PER LAB ?
3.↵

7. Press <ENTER> to continue to the next label and repeat steps 5 ~ 7, or <ESC> to exit.

ENTER to go on,
Or ESC to return

8. Output:

ABC COMPANY



0123456789

Barcode Print

ABC COMPANY



0123456789

Barcode Print

ABC COMPANY



0123456789

Barcode Print

ABC COMPANY



0123456790

Barcode Print

ABC COMPANY



0123456790

Barcode Print

ABC COMPANY



0123456790

Barcode Print

Stand-alone with Barcode Reader

This section covers stand-alone operation with barcode readers. It is applicable with printer models:

	Barcode Reader	
Interface	PS/2	RS-232
Printer Language	PPLB	PPLB
Model	X-2000V X-3200 X-2300E X-3200E	X-1000VL

To use the printer in stand-alone operation with a barcode reader (scanner), follow the procedure described below

1. Make a form for barcode reader. (Note that the form name must be "READER" The form should include "ZS" command to store to flash memory.)
2. Turn on the printer; download the form from PC to printer.
3. Set the parameter of "READER INSTALLED" on the LCD to ON position.
4. Turn off the printer.
5. Connect the barcode reader to the keyboard interface.
6. Turn on the printer.
7. Check LCD for instructions of each data string and scan barcodes to input data accordingly.

Example: Making a Barcode Reader Form

1. Make a command file for a form, READER.FRM.

Command	Description
ZS	Enable store to flash
FK"READER"	Delete previous one
FS"READER"	Start of form
V00,15,N,"Product Name ?"	Variable and display message
C0,10,N,+1,"Product No. ?"	Counter and display message
Q50,24	Label dimension
q816	Label width
S2	Speed
D8	Darkness
ZT	Print from top
A550,20,0,4,1,1,R,"ABC COMPANY"	Fixed data
B550,60,0,2,2,4,40,B,C0	Barcode I25 for counter
A540,150,0,3,1,1,N,V00	Print the input product
PA1	Single copy
FE	End of form
ZN	Disable store to flash

2. Send the file READER.FRM to printer under MS-DOS
>COPY/B READER.FRM LPT1:
3. Turn off the printer, connect the barcode reader, turn on the printer and set “Reader installed” on the LCD to ON position.
4. The form READER is automatically executed. Scan product name and number from printed bar codes using the barcode reader.

Product No.?
11223344↵

Product Name?
APPLE↵

5. A label is printed. The copy count depends on the PA command for the READER form. Step 4 is automatically repeated.
6. Output:

ABC COMPANY



11223344

APPLE

Notes:

1. To return to normal operation, press and hold the CANCEL button and turn on the printer again.
2. When using a keyboard or barcode reader communicating with a host through the Centronics or serial port is prohibited.
3. For the keyboard form the P command is not allowed, while for the barcode reader/scanner form a PA command must be included.

6. Technical Reference

General Specifications

	X-1000VL	X-2000V X-2000V Zip	X-2300E X-2300ZE	X-3200 X-3200Z	X-3200E X-3200ZE
Printing Method	Direct Thermal and Thermal Transfer				
Printing Resolution	203 dpi (8 dots/mm)			300 dpi (12dots/mm)	
Printing Width	Max 4.09" (104mm)			Max 4.16" (105.7mm)	
Printing Length	Max. 50" (1270 mm)		Max. 100" (2540 mm)	Max. 50" (1270 mm)	
Printing Speed	2 ~ 4 IPS (51~102 mm/s)	2 ~ 6 IPS (51~152 mm/s)		1 ~ up to 5 IPS (25.4~127 mm/s)	
Memory	8MB DRAM (7MB User Available) 4MB Flash ROM (3MB User Available)		16 MB DRAM (13MB User Available) 8MBFlash ROM (6MB User Available)		
CPU Type	32 bit RISC CPU				
Sensors	Reflective & See-through media sensors (movable) Head open switch Ribbon end sensor				

Display	LED indicator x 3, Button x 3	LED indicator x 3, Button x 3, Back-lit LCD Display 16 x 2-line Multilingual
Communication interfaces	Centronics parallel, RS-232 serial (baud rate to 115200 bps), USB (2.0)	Centronics parallel, RS-232 serial, USB (2.0), PS/2 interface, Ethernet 10/100MB (X-2300E / X-2300ZE / X-3200E / X-3200ZE)
Media Types	Roll-feed, die-cut, continuous, fan-fold, tags, ticket in thermal paper or plain paper, fabric labels	
Maximum Label Roll Diameter	Max. media width: 4.4" (112mm) Min. media width: 1" (25.4 mm) Media thickness: 0.0025"~0.01"(0.0635mm~0.254mm) 8"(203mm) OD on a 3"(76mm) ID core 7"(178mm) OD on a 1.5"(38mm) ID core	
Ribbon	Wax, Wax/Resin, Resin (ribbon wound ink-side out or ink-side in available)	
Ribbon Size	Ribbon width: 1"~4"(25.4 mm~101.6 mm) Ribbon Length: max 360m Wax, 300m Semi-Resin Ribbon roll max OD 3" (76 mm) Core size ID 1"(25.4 mm)	

Compact Size	W250 x L418 x H263 mm	
Weight	24lbs(11kgs)	
Power Source	100~240 VAC, 50/60 Hz, internal universal power supply	
Operation Environment	Operating Temperature 40° F~100°F (4°C~38°C), 10% ~ 90% non-condensing, Storage Temperature -4°F~122°F (-20°C~50°C)	
Driver Operating Systems	Win XP/ Vista/ Windows 7	
Printer Languages	X-1000VL, X-2000V, X-2300E, X-3200, X-3200E: PPLA, PPLB X-2000V Zip, X-2300ZE, X-3200Z, X-3200ZE : PPLZ	
Real Time Clock (RTC)	N/A	Standard (Battery for RTC: Type CR2032, +3V, 225mAh)
Options and Accessories	Guillotine Cutter Rotary Cutter Dispenser Rewinder Media Stacker RTC Font card (Simplified Chinese, Traditional Chinese, Japanese, Korean)	Guillotine Cutter Rotary Cutter Dispenser Rewinder Media Stacker
Agency Listing	CE, cULus, FCC class A, CCC, S-Mark, RoHS	

Note:

1. Since Font Card and optional RTC Card share the same slot on X-1000VL and X-2000V, they cannot be used at the same time.
2. The X Series models, except X-1000VL, can connect to PC keyboard via PS/2 port for standalone operation. X-1000VL connects to Argokee via RS-232 connection.

Fonts, Bar Codes and Graphics Specification

The specifications of fonts, bar codes and graphics depends on the printer emulation. The emulation is a printer programming language through which the host can communicate with your printer. There are three printer programming languages, PPLA, PPLB and PPLZ.

Printer Programming Language A, PPLA

Specification	X-1000VL / X-2000V / X-3200 / X-2300E / X-3200E
Internal Fonts	9 fonts with different point size 6 fonts with ASD smooth font. Courier font with different symbol sets.
Symbol Sets (Code Pages)	Courier font symbol set: Roman-8, ECMA-94, PC, PC-A, PC-B, Legal, and PC437 (Greek), Russian.
Courier Fonts	8 symbol sets (PC, PC-A, PC-B, EAMA-94, Roman, Legal, Greek and Russian)
Font Expandability	1x1 to 24x24
Character Rotation	0, 90, 180, 270 degree, 4 direction rotation
Soft Fonts	True Type fonts can be downloaded by Font Utility (Two-byte Asian fonts also can be downloaded to X-3200 / X-2300E / X-3200E)
1D Bar Code Types	Code 39 UPC-A UPC-E Code 128 subset A/B/C EAN-13 EAN-8 HIBC

	Codabar Plessey UPC2 UPC5 Code 93 Postnet UCC/EAN Code 128 K-MARK UCC/EAN Code 128 Random Telepen FIM UCC/EAN code 128 Interleave 2 of 5 (Standard/with checksum/with human readable check digit) GS1 Data bar (RSS)
2D Bar Code Types	MaxiCode PDF417 Data Matrix (ECC 200 only) QR code Composite Codes
Graphics	PCX, BMP, IMG, and HEX formats

Printer Programming Language B, PPLB

Specification	X-1000VL	X-2000V / X-3200 / X-2300E / X-3200E
Internal Fonts	5 fonts with different point sizes	
Symbol Sets (Code Pages)	8 bits: code page 437, 850, 852, 860, 863, and 865 7 bits: USA, British, German, French, Danish, Italian, Spanish, Swedish and Swiss. (300dpi models supporting Code page 437, 850, 852, 860, 863, 865)	

Font Expandability	1x1 to 24x24
Character Rotation	0, 90, 180, 270 degree, 4 direction rotation
Soft Fonts	True Type fonts can be downloaded by Font Utility (Two-byte Asian fonts also can be downloaded to X-3200 / X-2300E / X-3200E)
1D Bar Code Types	Code 39 UPC-A UPC-E German Postnet Matrix 2 of 5 UPC-Interleaved 2 of 5 Code 39 with check sum digit Code 93 EAN-13 EAN-8 (Standard, 2 /5digit add-on) Codabar Postnet Code128 subset A/B/C Code 128 UCC (shipping container code) Code 128 auto UCC/EAN code 128 (GS1-128) Interleave 2 of 5 Interleaved 2 of 5 with check sum Interleaved 2 of 5 with human readable check digit German Postcode Matrix 2 of 5 UPC Interleaved 2 of 5 EAN-13 2/5 digit add-on UPCA2/5 digit add-on UPCE 2/5 digit add-on GS1 Data bar (RSS)

2D Bar Code Types	MaxiCode PDF417 Data Matrix (ECC 200 only) QR code Composite Codes
Graphics	PCX , Binary Raster, BMP and GDI

Printer Programming Language Z, PPLZ

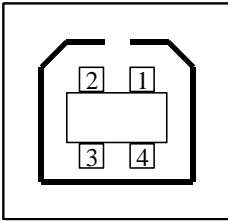
Specification	X-2000V Zip / X-3200Z / X-2300ZE / X-3200ZE
Internal Fonts	8 (A~H) fonts with different point size. 8 AGFA fonts: 7 (P~V) fonts with fixed different point size (not scalable). 1 (O) font with scaling point size.
Symbol sets (Code pages)	USA1, USA2, UK, HOLLAND, DENMARK/NORWAY, SWEDEN/FINLAND, GERMAN, FRANCE1, FRANCE2, ITALY, SPAIN, MISC, JAPAN, IBM850.
Font size	1x1 to 24x24
Character Rotation	0, 90, 180, 270 degree, 4 direction rotation
Soft Fonts	True Type fonts can be downloaded by Font Utility (Two-byte Asian fonts also can be downloaded to X-3200Z / X-2300ZE / X-3200ZE)
1D Bar Code Types	Code39 UPC-A UPC-E Postnet Code128 subset A/B/C Interleave 2 of 5 Interleaved 2 of 5 with check sun Interleaved 2 of 5 with human readable check digit Code 93 Code 39 with check sun digit

	EAN-8 Codabar EAN-13 Plessey GS1 Data bar (RSS)
2D Bar Code Types	MaxiCode PDF417 Data Matrix (ECC 200 only) QR code Composite Codes
Graphics	GRF, Hex and GDI

Interface Specifications

This section presents the interface specifications of IO ports for the printer. These include pin assignments, protocols and detailed information about how to properly interface your printer with your host or terminal.

USB



USB series "B" Receptacle Interface

Pin	Signal Name
1	VBUS
2	D -
3	D+
4	GND

Connector Terminal Pin Assignment

PS/2

Standard IBM PC PS/2 interface, 6-pin female type:

Pin No.	Direction	Definition
1	IN/OUT	DATA
2	---	N.C
3	---	GROUND
4	---	+5V
5	IN/OUT	CLOCK
6	---	N.C

Serial Interface

The RS-232 connector on the printer side is a female, DB-9.



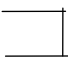



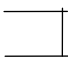
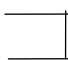


Pin	Signal	Description
1	No function	Shorted to Pin - 6
2	Received Data, RxD	Input. Serial "Received Data"
3	Transmitted Data, TxD	Output. Serial "Transmitted Data".
4	No function	No connection
5	GND	Signal Ground
6	No function	Shorted to Pin - 1
7	Request to Send, RTS	Output. Used as the control signal for "H/W Flow Control "
8	Clear to Send, CTS	Input. Used as the control signal for "H/W Flow Control"
9	+5V	Output. Pin 9 is reserved for KDU (keyboard device unit)

Note: Pin 9 is reserved for a KDU (keyboard device unit). Do not connect this pin if you use a general host such as a PC.

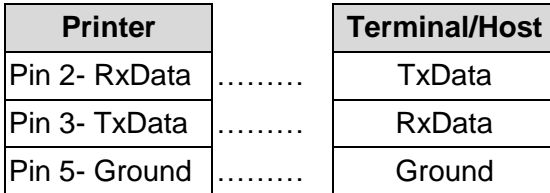
Connection with Host:

Host 25S	Printer 9P	Host 9S	Printer 9P
(PC or compatible)		(PC or compatible)	
DTR 20 1 DSR	DTR 4 1 DSR
DSR 6 6 DTR	DSR 6 6 DTR
TX 2 2 RX	TX 3 2 RX
RX 3 3 TX	RX 2 3 TX
CTS 5 7 RTS	CTS 8 7 RTS
RTS 4 8 CTR	RTS 7 8 CTS
GND 7 5 GND	GND 5 5 GND

Alternatively you can connect the 3 wires as follows:

Host 25S	Printer 9P	Host 9S	Printer 9P
(PC or compatible)		(PC or compatible)	
TX 2 2 RX	TX 3 2 RX
RX 3 3 TX	RX 2 3 TX
GND 7 5 GND	GND 5 5 GND
pin 4		pin 4	
pin 5		pin 6	
pin 6		pin 7	
pin 20		pin 8	

The simplest way to connect to other hosts (not PC compatible) or terminals is:



In general, as long as the data quantity is not too large and you use Xon/Xoff as flow control, it will be problem free.

Baud rate: 1200, 2400, 4800, 9600(default), 19200, 38400, 57600,115200 bauds. (Programmable by command)

Data format: always 8 data bits, 1 start bit and 1 stop bit.

Parity: always non parity

Handshaking: XON/XOFF as well as CTS/RTS (hardware flow control).

If you run an application with the bundled printer driver under Windows and use the serial port, you should check the above parameters and set the flow control to "Xon/Xoff "or "hardware".

Parallel (Centronics)

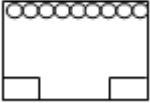
The parallel port is a standard 36-pin Centronics connector. Pin assignments are as follows:

Pin	Direction	Definition	Pin	Direction	Definition
1	In	/STROBE	13	Out	SELECT
2	In	Data1	14,15		NC
3	In	Data 2	16	-	Ground
4	In	Data3	17	-	Ground
5	In	Data4	18		
6	In	Data5	19~30	-	Ground
7	In	Data6	31		NC
8	In	Data7	32	Out	/Fault
9	In	Data8	33~36	-	NC
10	Out	/ACK			
11t	Out	BUSY			
12	Out	PE			

Ethernet Interface

The following port complies with Ethernet communication.

1 2 3 4 5 6 7 8



Pin	Signal
1	Transmit+
2	Transmit-
3	Receive+
4	Reserved
5	Reserved
6	Receive-
7	Reserved
8	Reserved

Auto Polling

Both the serial port and parallel port of this printer can be active at the same time, i.e. the printer can simultaneously communicate with two PCs via different ports. However as no port contention is made for this printer, if both PCs transmit data at the same time the data may become damaged in the receiving buffer.

ASCII TABLE

NUL			0	@	P	'	P
SOH	XON	!	1	A	Q	a	q
STX		"	2	B	R	b	r
	XOFF	#	3	C	S	c	s
		\$	4	D	T	d	t
	NAK	%	5	E	U	e	u
ACK		&	6	F	V	f	v
BEL		'	7	G	W	g	w
BS		(8	H	X	h	x
)	9	I	Y	i	y
LF		*	:	J	Z	j	z
	ESC	+	;	K	[k	{
FF		,	<	L	\	l	l
CR		-	=	M]	m	}
SO	RS	.	>	N	^	n	~
SI	US	/	?	O	_	o	DEL