



USER MANUAL

EZ2250i / EZ2350i



USER MANUAL : EZ2250i / EZ2350i
VERSION : Rev. C
ISSUE DATE : 2012.11.05
P/N : 920-014611-00

FCC COMPLIANCE STATEMENT FOR AMERICAN USERS

This equipment has been tested and found to comply with the limits for a CLASS A digital device, pursuant to Part 15 of the FCC Rules. These limits are designed to provide reasonable protection against harmful interference when the equipment is operated in a commercial environment. This equipment generates, uses, and can radiate radio frequency energy and, if not installed and used in accordance with the instructions, may cause harmful interference to radio communications. Operation of this equipment in a residential area is likely to cause harmful interference in which case the user will be required to correct the interference at own expense.

EMS AND EMI COMPLIANCE STATEMENT FOR EUROPEAN USERS

This equipment has been tested and passed with the requirements relating to electromagnetic compatibility based on the standards EN 55022:1998+A1:2000+A2:2003, CISPR 22, Class A EN 55024:1998+A1:2001+A2:2003, IEC 61000- 4 Series EN 61000-3-2 / 2000 & EN 61000-3-3 / 1995. The equipment also tested and passed in accordance with the European Standard EN55022 for the both Radiated and Conducted emissions limits.

EZ2250i SERIES TO WHICH THIS DECLARATION RELATES IS IN CONFORMITY WITH THE FOLLOWING STANDARDS

EN55022 : 1998, CLSPR 22, Class A / EN55024 : 1998 / IEC 61000-4 Serial / EN61000-3-2 : 2000 / EN 6100-3-3 : 1995 / CFR 47, Part 15/CISPR 22 3rd Edition : 1997, Class A / ANSI C63.4 : 2001 / CNS 13438 / IEC60950-1 : 2005 (EN 60950-1 : 2006+A11 : 2009) / GB4943 : 2001 / GB9254 : 1998 / GB17625.1 : 2003 / EN60950-1 : 2001

CAUTION

- Danger of explosion if battery is incorrectly replaced. Replace only with the equivalent type recommended by the manufacturer.
- Dispose of used batteries according to the manufacturer's instructions.
- Only use with designated power supply adapter model.
- Changes or modifications not expressly approved by the party responsible for compliance could void the user's authority to operate the equipment.

Safety instructions

Please read the following instructions carefully.

1. Keep the equipment away from humidity.
2. Before you connect the equipment to the power outlet, please check the voltage of the power source.
3. Make sure the printer is off before plugging the power connector into the power jack.
4. It is recommended that you connect the printer to a surge protector to prevent possible transient overvoltage damage.
5. Be careful not to get liquid on the equipment to avoid electrical shock.
6. For safety and warranty reasons, ONLY qualified service personnel should open the equipment.
7. Do not repair or adjust energized equipment under any circumstances.

1. BOX CONTENT	1
1-3. Getting to know your printer.....	2
2. PRINTER SETUP	5
2-1. Loading the label roll.....	5
2-2. Loading the ribbon	8
2-3. Connecting the printer to the host computer	9
2-4. Installing Printer Driver and GoLabel.....	10
3. SETTING AND CONTROL FOR OPERATION PANEL	12
3-1. Operation Panel	12
3-2. LCD Interface Introduction	13
3-3. LCD Interface Function	18
3-4. Label Calibration and Self Test.....	22
3-5. Error Alerts.....	24
3-6. USB Host	26
4. NETSETTING FOR ETHERNET	28
4-1. Installing the NetSetting software	28
4-2. The Interface of NetSetting	29
5. ACCESSORIES	39
5-1. Internal rewinder	39
5-2. Installing the rewinder guide	41
5-3. Label dispenser.....	42
5-4. Installing the cutter.....	44
5-5. Installing the Parallel adapter	46
6. MAINTENANCE AND ADJUSTMENT	48
6-1. Installing / removing the print head module	48
6-2. Adjusting the print line.....	49
6-3. Adjusting the ribbon tension	50
6-4. Cleaning the thermal print head.....	51
6-5. Adjusting the balance and print head tension.....	52
6-6. Ribbon shield settings.....	53
6-7. Cutter settings.....	54
6-8. Troubleshooting	55
APPENDIX	56
A. Interfaces	56
B. File Manipulation.....	58

1. Box content

Please check that all of the following items are included with your printer:

- ◆ Barcode printer
- ◆ Power cord
- ◆ USB cable
- ◆ Label stock
- ◆ Ribbon
- ◆ Empty ribbon core
- ◆ Quick Start guide
- ◆ CD (with GoLabel label software / user manual)

1-2. Specifications

Model	EZ2250i	EZ2350i
Print Method	Thermal Transfer / Direct Thermal	
Resolution	203 dpi (8 dots/mm)	300 dpi (12 dots/mm)
Print Speed	7 IPS (177 mm/s)	5IPS (127mm/s)
Print Width	4.09" (104 mm)	
Print Length	Min. 0.16" (4 mm)** ; Max. 100" (2540 mm)	Min. 0.16" (4 mm)** ; Max. 45" (1143 mm)
Processor	32 Bit RISC CPU	
Memory	8MB Flash (4MB for user storage); 16MB SDRAM	
Sensor Type	Adjustable reflective sensor and transmissive sensor, left aligned	
Media	Types: Continuous form, gap labels, black mark sensing, and punched hole; label length set by auto sensing or programming Width (Tear): 1" (25.4 mm) Min. - 4.64" (118 mm) Max. Width (Cutter): 4.61" (117 mm) Max. Width (Stripper / Rewind): 4.64" (118 mm) Max. Thickness: 0.003" (0.06 mm) Min. - 0.01" (0.25 mm) Max. Label roll diameter: Max. 8" (203.2 mm) with 3" (76.2 mm) core / Max. 6" (152.4 mm) with 1.5" (38.1 mm) core Core diameter: 1.5" (38.1 mm) - 3" (76.2 mm)	
Ribbon	Types: Wax, wax/resin, resin Length: 1471' (450 m) Width: 1.18" Min. - 4.33" (30 mm - 110 mm) Max. Ribbon roll diameter: 2.99" (76 mm) Core diameter: 1" (25.4 mm) Auto ink inside and ink outside	
Printer Language	EZPL, GEPL, GZPL auto switch	
Software	Label design software: GoLabel (for EZPL only) Driver: Windows 2000, XP, Vista, 7, Windows Server 2003 & 2008 DLL: Windows 2000, XP and Vista	
Resident Fonts	Bitmap fonts: 6, 8, 10, 12, 14, 18, 24, 30, 16X26 and OCR A & B Bitmap fonts 90°, 180°, 270° rotatable, single characters 90°, 180°, 270° rotatable Bitmap fonts 8 times expandable in horizontal and vertical directions Scalable fonts 90°, 180°, 270° rotatable	
Download Fonts	Bitmap fonts 90°, 180°, 270° rotatable, single characters 90°, 180°, 270° rotatable Asian fonts 90°, 180°, 270° rotatable and 8 times expandable in horizontal and vertical directions Scalable fonts 90°, 180°, 270° rotatable	
Barcodes	1-D Bar codes: Code 39, Code 93, EAN 8 /13 (add on 2 & 5), UPC A/E (add on 2 & 5), I 2 of 5 & I 2 of 5 with Shipping Bearer Bars, Codabar, Code 128 (subset A, B, C), EAN 128, RPS 128, UCC 128, UCC/EAN-128 K-Mart, Random Weight, Post NET, ITF 14, China Postal Code, HIBC, MSI, Plessey, Telepen, FIM, GS1 DataBar 2-D Bar codes: PDF417, Datamatrix code, MaxiCode, QR code, Micro PDF417, Micro QR code and Aztec code	
Code Pages	CODEPAGE 437, 850, 851, 852, 855, 857, 860, 861, 862, 863, 865, 866, 869, 737	

	WINDOWS 1250, 1251, 1252, 1253, 1254, 1255, 1257 Unicode (UTF8, UTF16)
Graphics	Resident graphic file types are BMP and PCX, other graphic formats are downloadable from the software
Interfaces	USB Device (B-Type) Serial port: RS-232 (DB-9) USB Host (A-Type) IEEE 802.3 10/100Base-Tx Ethernet port (RJ-45)
Control Panel	Color TFT LCD with navigation button Control key: FEED Calibration button Power on/off button
Real Time Clock	Standard
Power	Auto Switching 100-240VAC, 50-60Hz
Environment	Operation temperature: 41°F to 104°F (5°C to 40°C) Storage temperature: -4°F to 122°F (-20°C to 50°C)
Humidity	Operation: 30-85%, non-condensing. Storage: 10-90%, non-condensing.
Agency Approvals	CE(EMC), FCC Class A, CB, cUL, CCC
Dimension	Length: 20.15" (512 mm) Height: 11.45" (291 mm) Width: 10.78" (274 mm)
Weight	33 lbs (15Kg), excluding consumables
Options	Cutter Module Internal Rewinder with Label Dispenser Parallel port adpoter module (Centronic female 36-pin) Applicator Interface (1 input, 3 outputs, power 500mA @ 5V for project base.) External label roll holder for 10" (250 mm) O.D. label rolls External label rewinder

* Specifications are subject to change without notice. All company and/or product names are trademarks and/or registered trademarks of their respective owners.

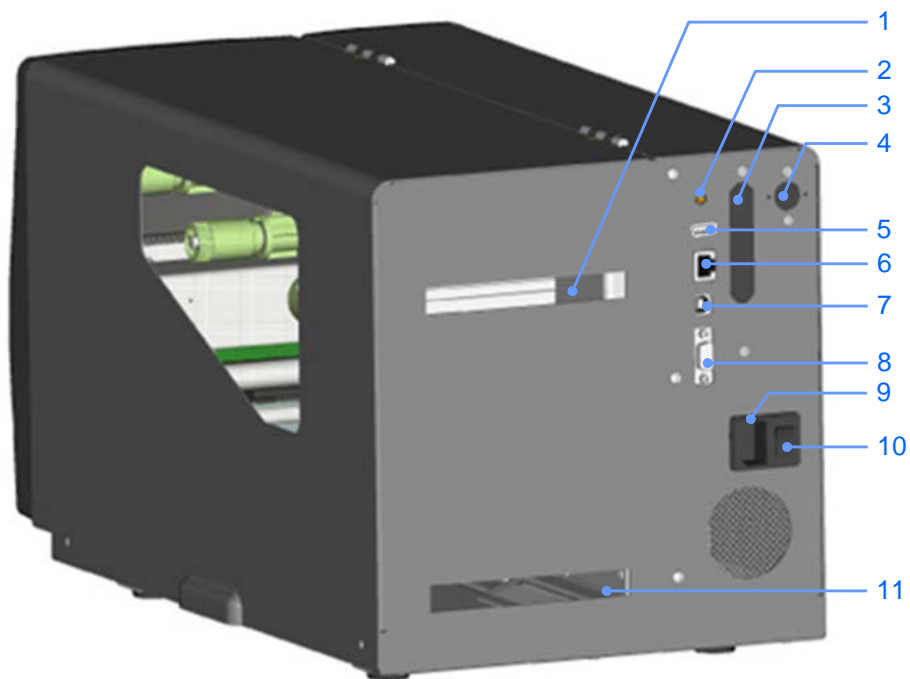
** Minimum print height and maximum print speed specification compliance can be dependent on non-standard material variables such as label type, thickness, spacing, liner construction, etc. Godex is pleased to test non-standard materials for minimum print height and maximum print speed capability.

1-3. Getting to know your printer

External view

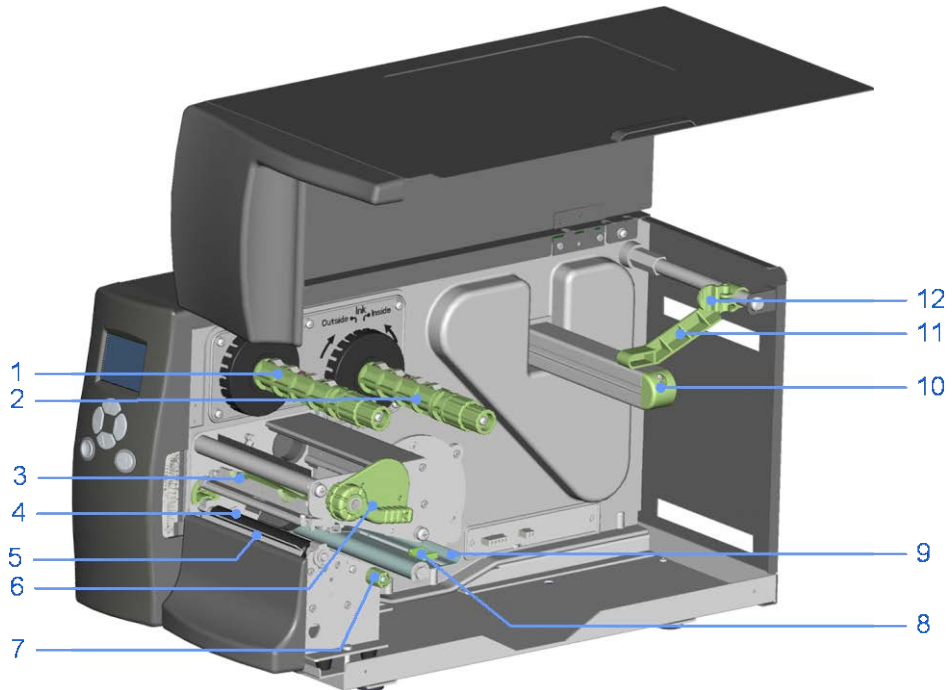


1.	Operator panel
2.	Lower cover plate
3.	Viewing window
4.	Printer cover

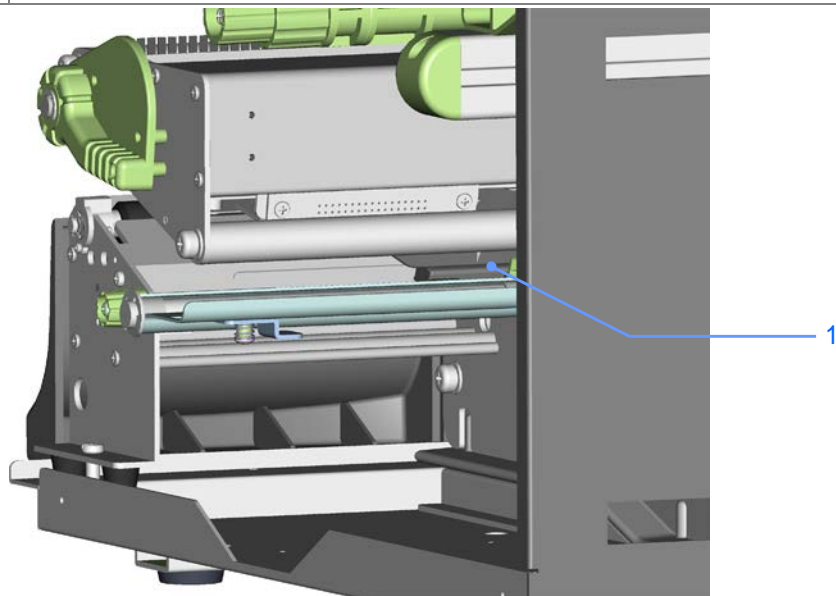


1.	Feed slot for continuous labels
2.	Auto-Calibration button
3.	Parallel port (optional)
4.	Applicator interface (optional)
5.	USB Host
6.	Ethernet port
7.	USB port
8.	Serial port (DB-9)
9.	Power jack
10.	On/Off switch
11.	Feed slot for continuous labels

Internal view



1.	Ribbon rewind hub
2.	Ribbon supply hub
3.	Print mechanism
4.	Platen roller
5.	Tear-off plate
6.	Release lever for print head
7.	Adjustment wheel for sensor
8.	Paper guide
9.	Label tension guide
10.	Label supply hub
11.	Label roll guide
12.	Release catch



1.	Movable sensor
----	----------------

2. Printer setup

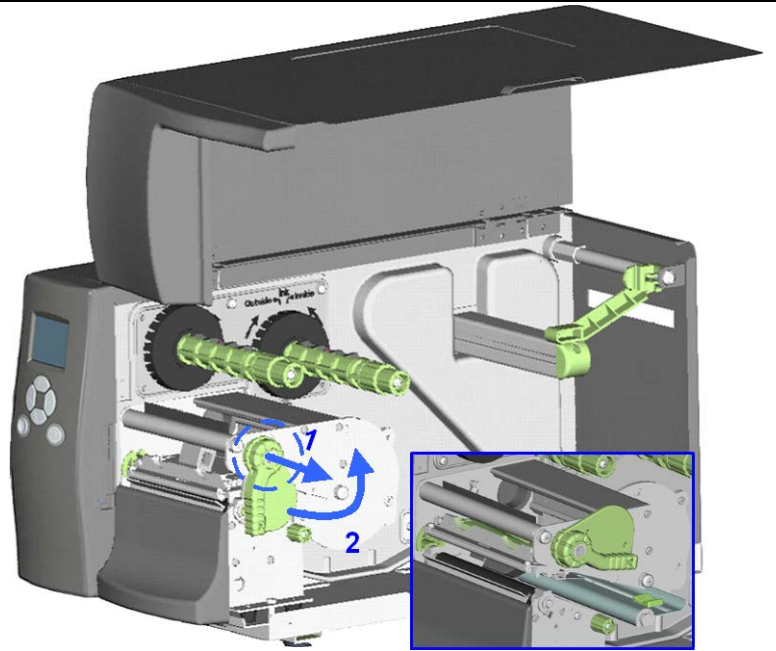
This printer supports the following printing methods:

Thermal transfer printing (TTP)	Requires a ribbon for transferring a printed image to a medium.
Direct thermal printing (DTP)	Does not require a ribbon, only thermal paper.

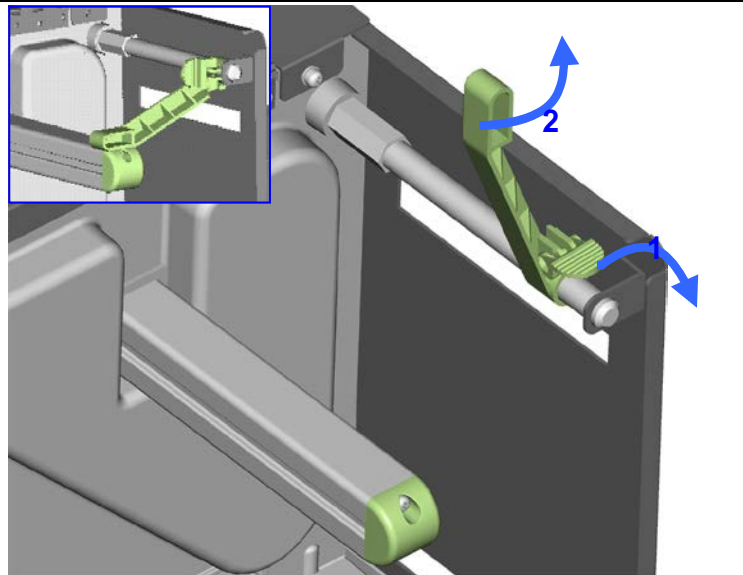
Please check which printing method you are using and alter the settings accordingly in the printer driver, printer menu, and/or software.

2-1. Loading the label roll

1. Place the printer on a flat surface and open the printer cover.
2. Pull out the print head release lever as shown in the illustration (1) and turn it anticlockwise to a top right position (2).

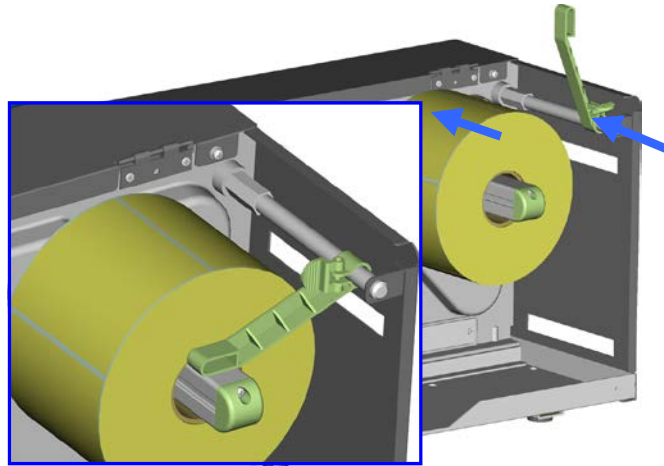


3. Pull the release catch for the label roll guide to the right as shown by the blue arrow 1.
4. Now slide the label roll guide forward and fold it up as shown by the blue arrow 2.

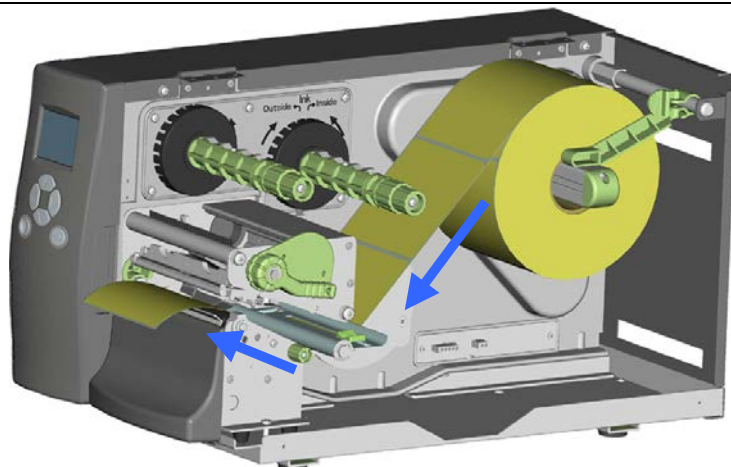


5. Place the label roll on the label supply hub, pushing it right up to the printer housing. (Do not apply too much pressure to avoid damaging the label stock.)
6. Fold the label roll guide back down and push it against the label roll.

【Note】
When moving the label roll guide, hold it only by the end that is attached to the bracket, not by its top.

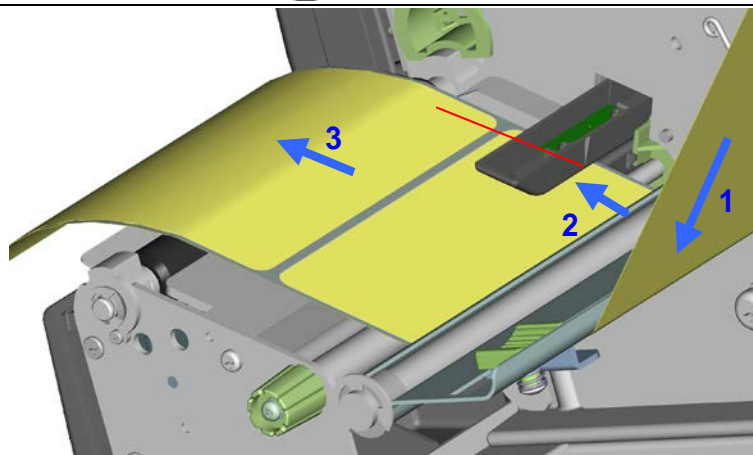


7. Load the label roll into the printer as shown in the illustration. Pass it through the printer as indicated by the blue arrows.



8. Pass the label stock through the sensor and up to the tear-off plate.

【Note】
Remember to set the movable sensor to gap, black mark, or tag hole by changing the position of the sensor with the adjustment wheel.

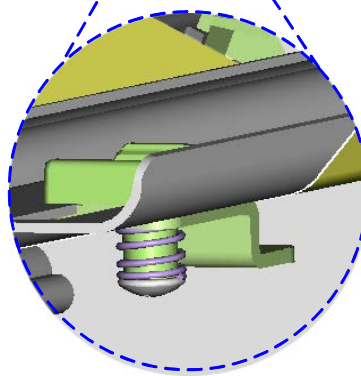
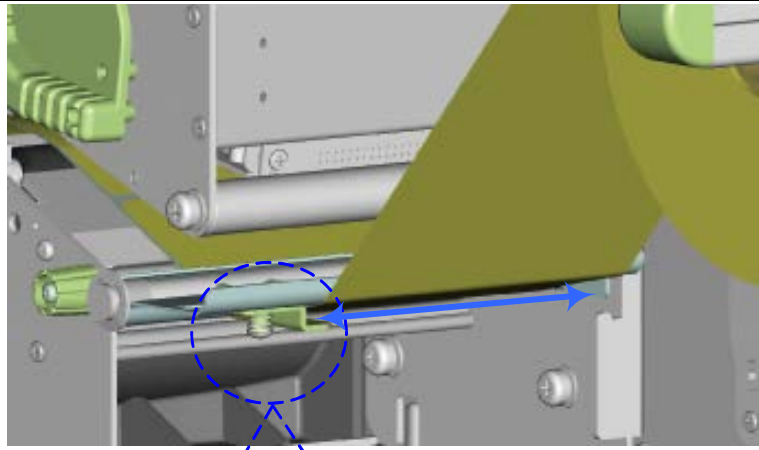


9. The labels pass between the wall of the printer housing and the adjustable paper guide.

【Note】

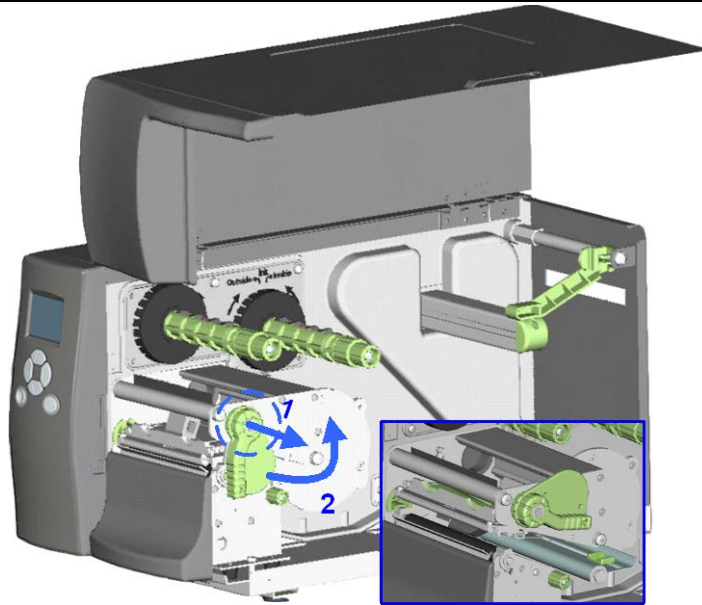
Pass the labels through the printer as shown in the illustration.

10. Return the print head release lever to its original position.
11. Then close the printer cover.

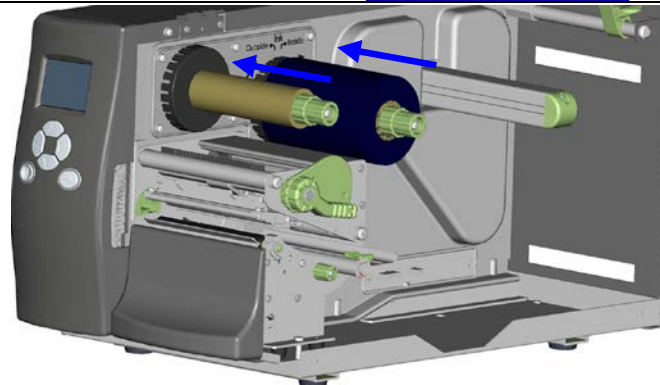


2-2. Loading the ribbon

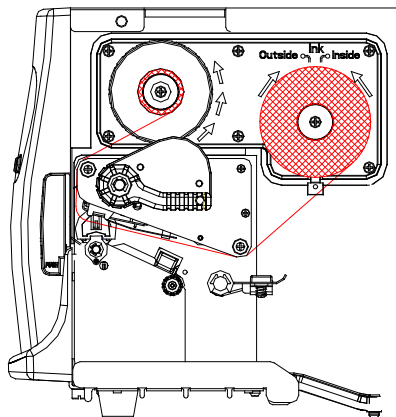
1. Place the printer on a flat surface and open the printer cover.
2. Pull out the print head release lever as shown in the illustration (1) and turn it anticlockwise to a top right position (2).



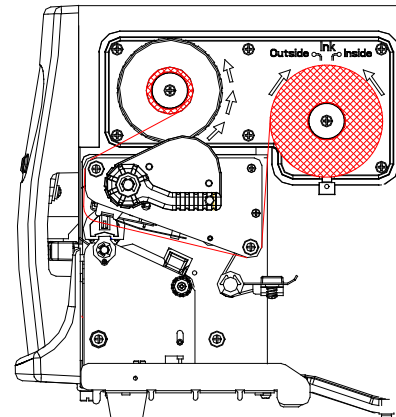
3. Place a new ribbon on the ribbon supply hub. Then place an empty ribbon core on the ribbon rewind hub.
4. The two illustrations on the right show you how to install the ribbon depending on the ribbon type (ink side in or out).



Ink side out



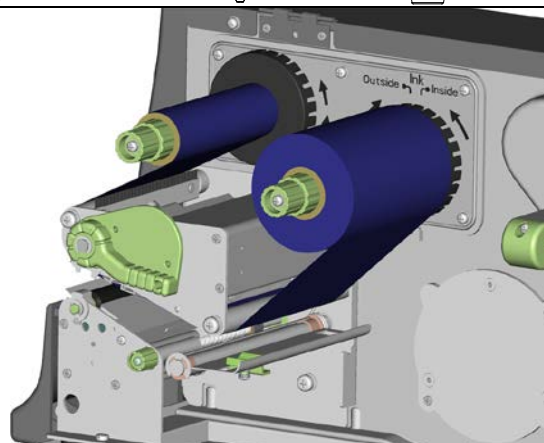
Ink side in



5. Pass the ribbon under the print head and back up on the other side. Attach it to the empty ribbon core.

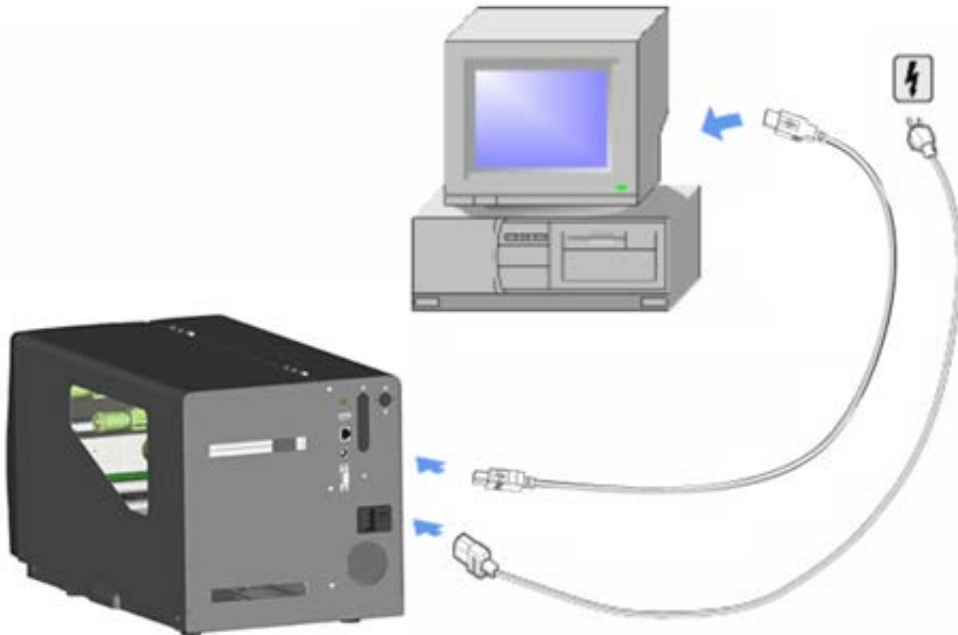
【Note】

Do not pass the ribbon under the sensor.



2-3. Connecting the printer to the host computer

1. Please make sure that the printer is switched off.
2. Connect the power cord to the AC adapter and connect the adapter to the printer.
3. Connect the USB cable to the printer and host computer.
4. Switch on the printer. The operator panel should now light up.



2.4 Installing Printer Driver and GoLabel with Super Wizard CD

1. Insert the Super Wizard CD in the CD/DVD drive of the host computer and the program should pop up automatically. You will see the Welcome screen first. On the Welcome screen, choose “Standard Installation”.



2. The wizard will then ask you to make sure your USB and power cables are connected and that the power is turned on. Make sure that is done and then click “Next”.



3. The next screen you will see is, “Install the GoLabel Software and Windows driver”. Click “Next” to continue.



Notice

- * If the Super Wizard program did not run automatically, you can either turn on the “Auto-run” setting for your CD/DVD driver or double-click the icon of CD/DVD driver to run the program.

- As the printer driver and GoLabel are installing, a screen will display a progress bar.



- Once the installation is complete, you can start to make and print labels with GoLabel or through the printer driver.



- As the optional steps, you can also print a test label or register your printer during the “Standard Installation” procedure.

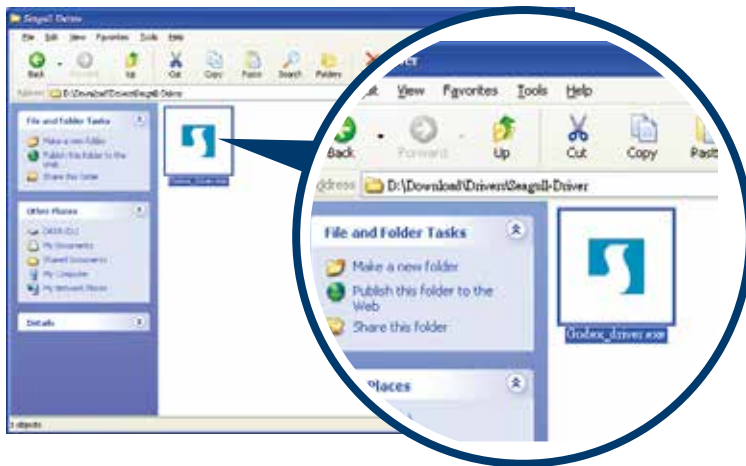


Notice

- * If you need more resources, tools or reference documents, you can also find them on Super Wizard CD. Just click “Other Choices” on Welcome Screen to access the files.

Installing Printer Driver Directly From CD Folder

1. Insert the product CD in the CD/DVD drive of the host computer and open the "Seagull Drivers" folder on the CD. Select the icon for the driver file and click it to start the installation.



2. Follow the instructions on the screen. The Driver Wizard guides you through the installation procedure. Select "Install printer drivers".



3. Specify your printer model.



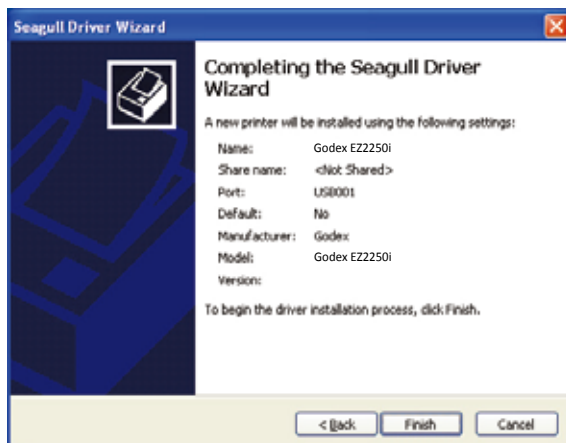
- Specify the port used to connect the printer to the host computer.



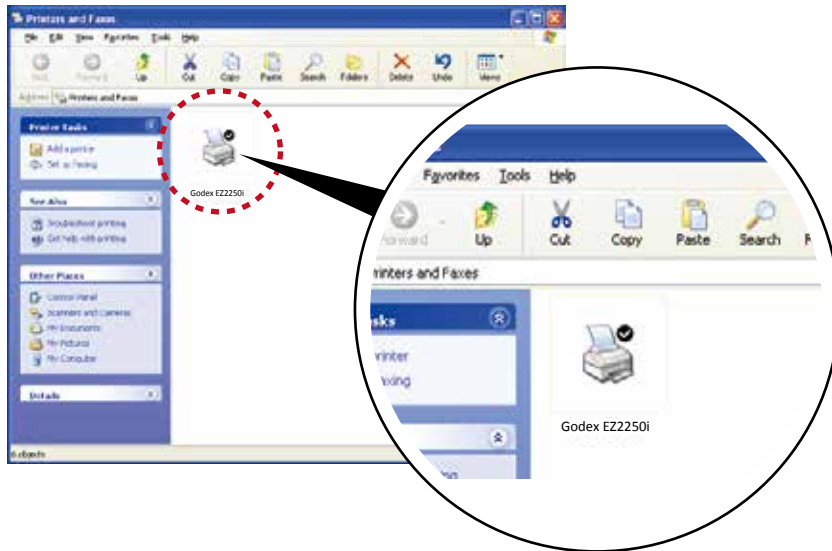
- Enter a printer name and assign the appropriate rights.



- Once the installation is complete, a summary of the printer settings is displayed. Check whether the printer settings are correct and click "Finish" to start copying the driver files. Wait until copying is complete, then finish the installation.



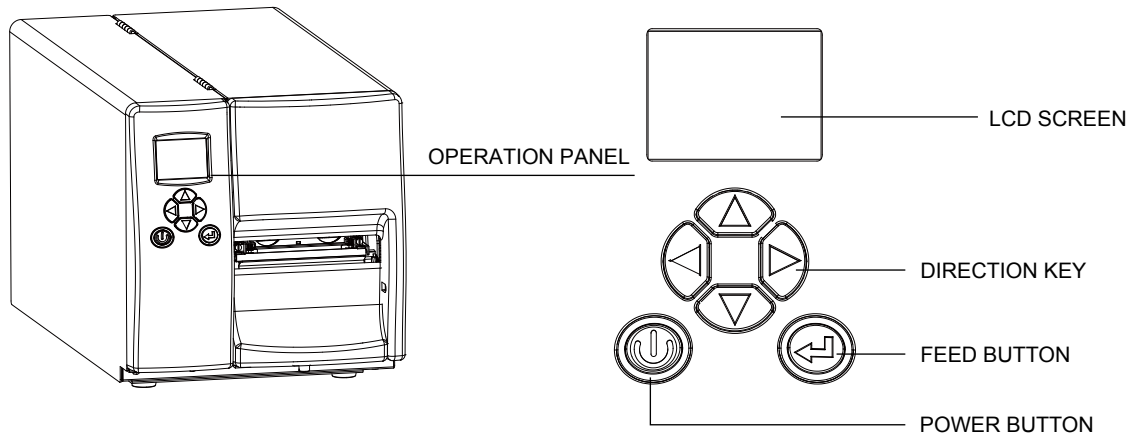
- Once the driver installation is complete, the new printer should appear in the "Printers and Faxes" folder.



3. Setting and Control for Operation Panel

3-1. Operation Panel

Operation Panel Introduction



POWER Button

Press the POWER button to turn on the printer, and the START UP SCREEN appears. If the printer is on “ready to print” status, the LCD screen should display the message “READY” on the screen.

When printer is turned on, keep pressing the POWER button for 3 second will turn the printer off.

FEED Button

When you press the FEED button, the printer moves the label to the defined stop position.

If you are using continuous labels, pressing the FEED button will move label stock until you release the button again.

If you are using individual labels, pressing the FEED button will move only one label.

If the label does not stop at the correct position, you need to run the auto-detection function on the label stock, please see Section 3-4 Label Calibration and Self Test.

3-2. LCD Interface Introduction

Getting Started

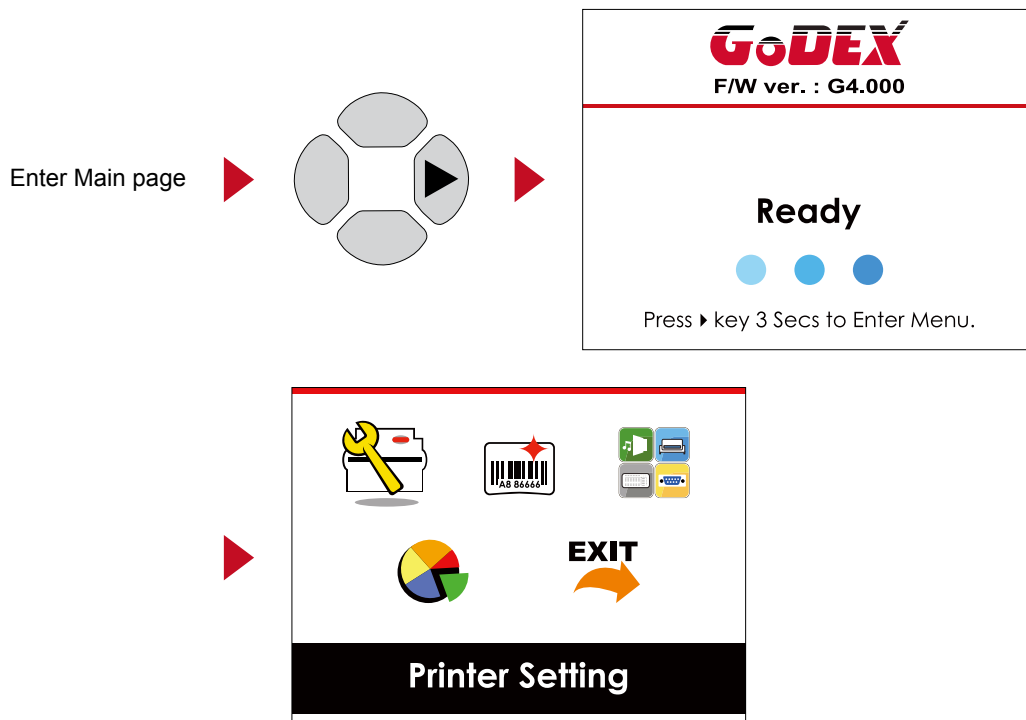
Press the POWER button to turn on the printer, and the START UP SCREEN appears.



If the printer is on “ready to print” status, the LCD screen should display the message “Ready” on the screen.



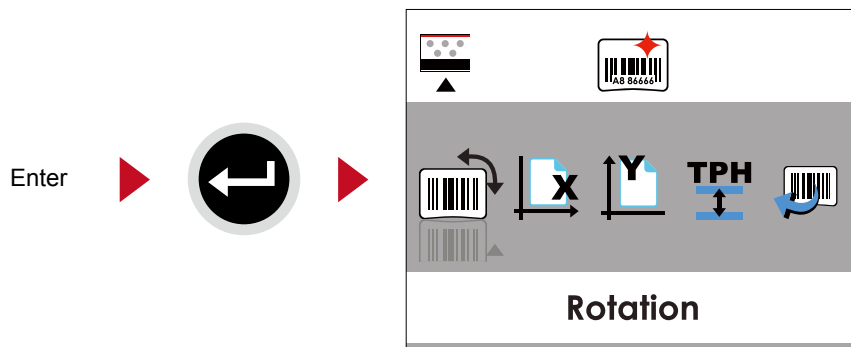
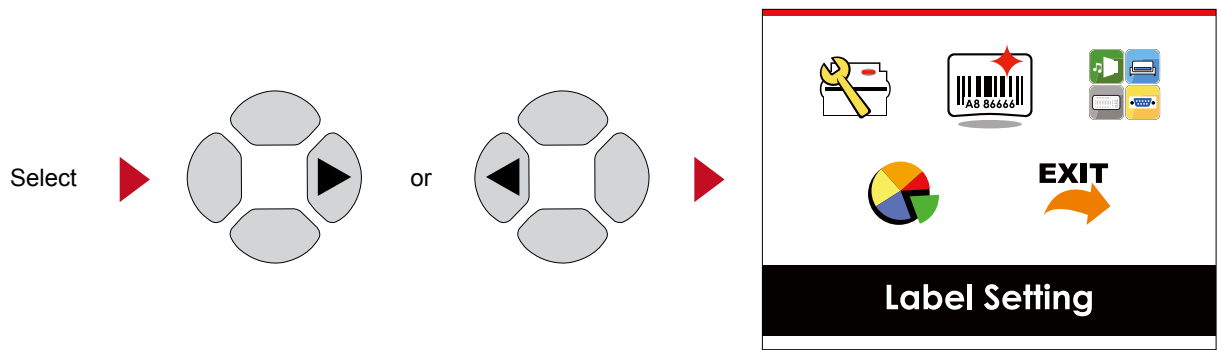
Please keep pressing ▶ button and wait for the timer to be filled, then the LCD interface will enter into the MAIN PAGE for SETTING MODE. You can make various setting functions in SETTING MODE.



Operations on Setting Page

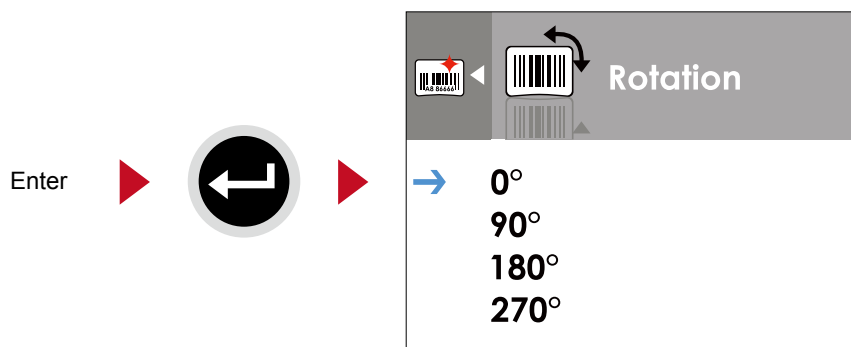
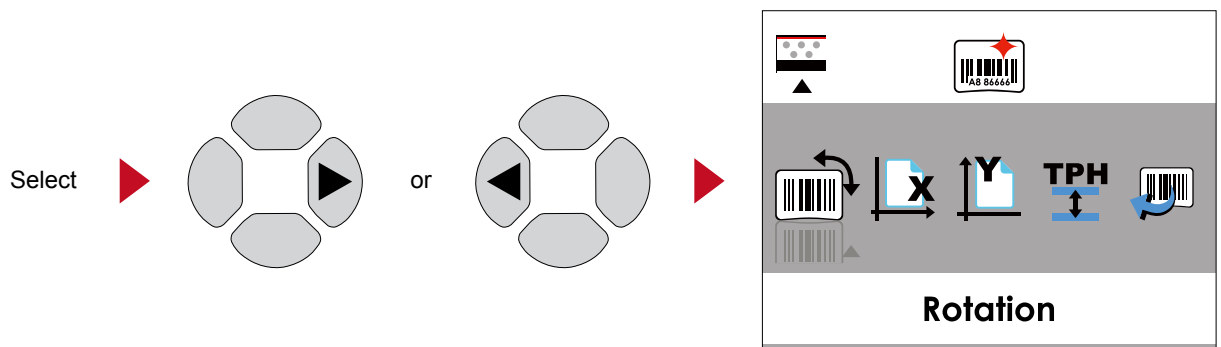
On MAIN PAGE, press **▶** or **◀** button to move the cursor and select the functions.

Select a designated function and press FEED button, you will enter the SETTING PAGES for the function.

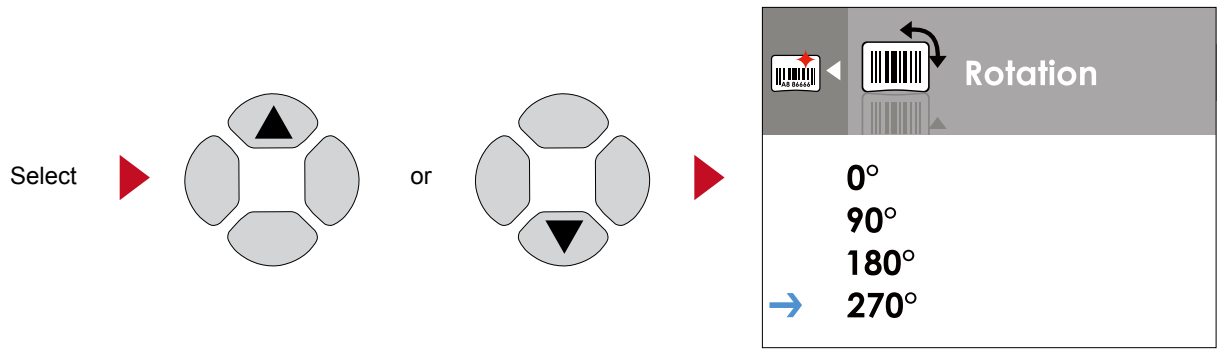


On SETTING PAGES, press **▶** or **◀** button to select the setting items.

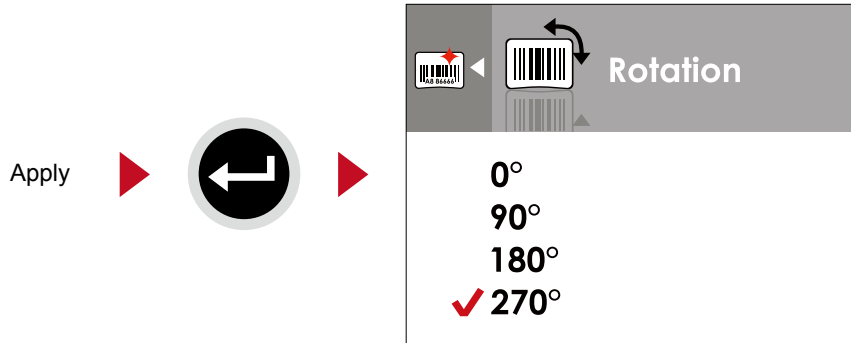
Select a designated function and press FEED button, you will enter the SETTING VALUE PAGES for the function.



On SETTING VALUE PAGES, press ▲ or ▼ button to change the setting values.



Press FEED button will apply the setting value you just selected, and the red tick will appear to mark the value.



Notice

* The blue arrow indicates the value you are selected.

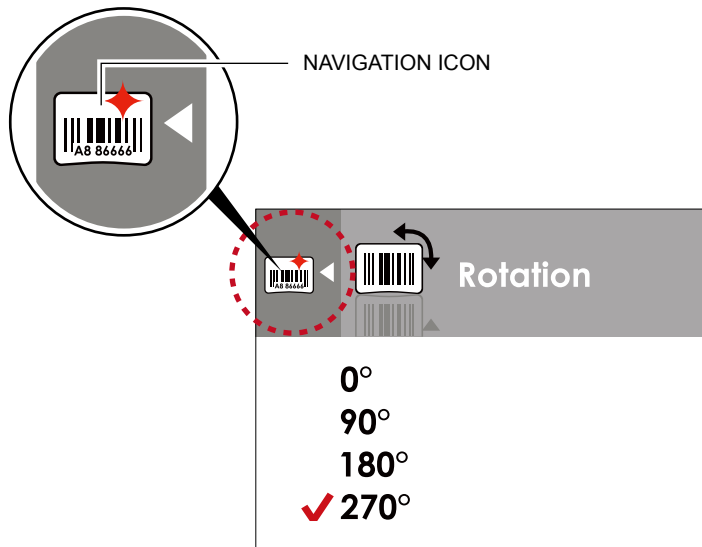


** The red tick indicates that the selected value is applied now.

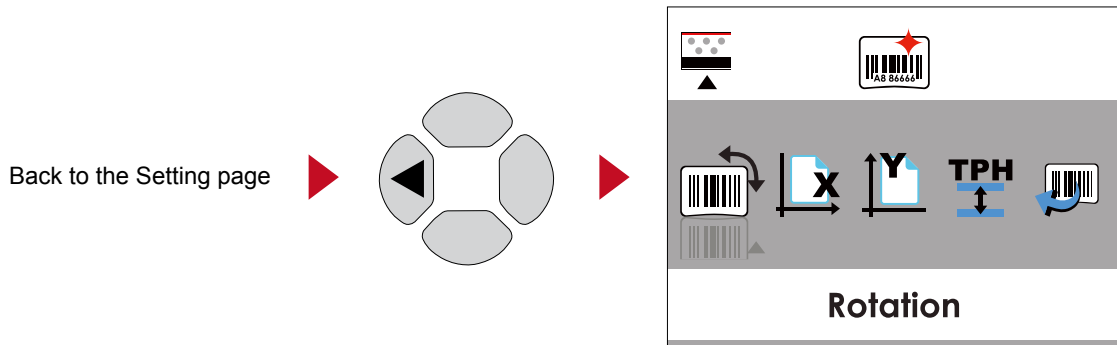


Exit from Current Page to Ready Status

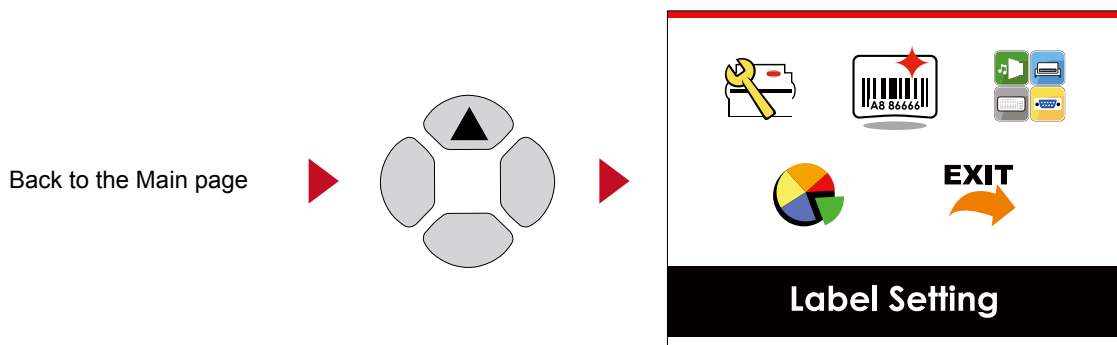
The icon on top-left corner displays the capture of upper level screen and also guides you back to upper level with left or up arrow.



On SETTING VALUE PAGES, press ◀ button will go back to the upper level screen.

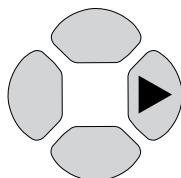


On SETTING PAGES, press ▲ button will go back to the MAIN PAGE screen.

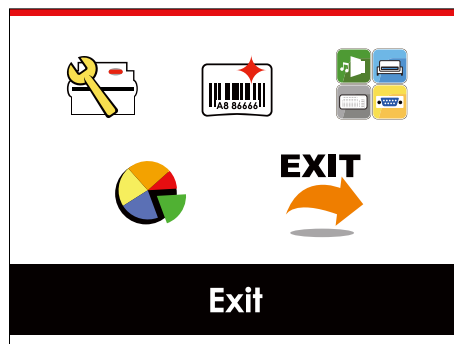
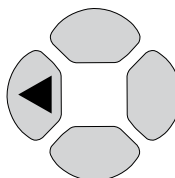


On MAIN PAGE, select the "EXIT" icon and press the FEED button to exit from SETTING MODE and the printer goes back to READY status.

EXIT from Setting Mode



or



Back to the Ready status



3-3. LCD Interface Function

Main Page



Printer Setting

Setting items for printer, ex. Printing speed, darkness.
Also includes a Printing Wizard for your ease of printing.



Label Setting

Setting items for printing label, ex. Rotation, Printing position offset.



Device

Option modules and connection port settings.



Analysis

Self-Diagnose functions for printer, ex. TPH testing, self-test page printing.



Exit

Exit from Setting Mode.

Setting Items in Setting Mode



		English
		German
		繁體中文
		简体中文
	Speed	2-5 or 7
	Darkness	0-19
		Label with Gaps
		Label with Marks
		Continuous
	Printer Mode	Direct Thermal
		Thermat Transfer
	Tear-off Position	0-40
	Darkness	0-19
	Speed	2-.5
		Media Detection
		Auto Select
		See-Through
		Reflective
		Label with Gaps
		Label with Marks
		Continuous
	Printing Mode	Direct Thermal
		Thermat Transfer
	Tear-off Position	0-40
	Top of Form	Apply
		Cancel
		850
		852
		437
		860
		863
		865
		857
		861
		862
		855
		866
		737
		851
		869
		Win 1252
		Win 1250
		Win 1251
		Win 1253
		Win 1254
		Win 1255
		Win 1257



		0°
		90°
		180°
		270°
	Horizontal Offset	-100 - 100
	Vertical Offset	-100 - 100
	Start Offset	-100 - 100
	Recall Label	001 Form Name
		002 Form Name



Device

Buzzer		Apply
		Cancel
Optional Setting	Option	None
		Cutter
		Label Dispensor
		Applicator
	Pre-Printing	Apply
		Cancel
Serial Port Setting	Baud Rate	4800 bps
		9600 bps
		19200 bps
		38400 bps
		57600 bps
		115200 bps
	Parity	Non
Odd		
Even		
Data bits	7 bits	
	8 bits	
Stop bits	1 bits	
	2 bits	
RTC Setting	Clock Display	Apply
		Cancel
	RTC Setting	YYYY/MM/DD
		HH:MM:SS



Analysis

Calibration		Apply
		Cancel
Self-test		Apply
		Cancel
TPH Testing		Apply
		Cancel
Reset to Default		Apply
		Cancel
Clear Memory	Label Format	Apply
		Cancel
	Graphic	Apply
		Cancel
	Bitmap Fonts	Apply
		Cancel
	True Type Fonts	Apply
		Cancel
Asian Fonts	Apply	
	Cancel	
ALL	Apply	
	Cancel	



Exit

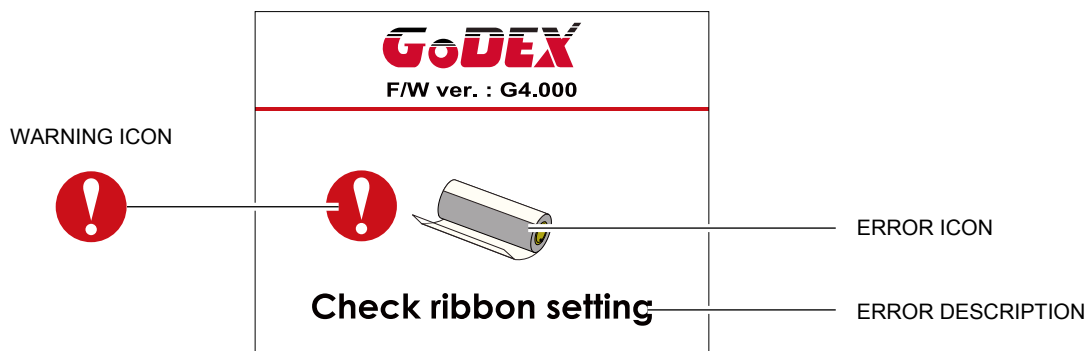
Exit

Status of LCD Interface




When printer is on standby status (ready to print), the LCD interface will display “Ready” on screen. You can only print on this “Ready” status.



If there is any printers error, the LCD screen will display the error screen to show the type of error. You can fix the error according the notice.



Icon Definition

◀	To upper level	Appears on the NAVIGATION ICON of Setting Pages. It guides you back to upper level by pressing “LEFT” key.
▲	To upper level	Appears on the NAVIGATION ICON of Setting Value Pages. It guides you back to upper level by pressing “UP” key.
	Lock	On Setting Value pages, press “RIGTH” key to lock the value for preventing unexpected change.
	UnLock	For locked value, press “RIGHT” key again to unlock the value.
	Scroll the value	On Setting Value pages, press “UP” or “DOWN” key to scroll the values for your selection.

3-4. Label Calibration and Self Test

Label Calibration

The printer can automatically detect and store label height.
That means the host computer does not need to transmit the label height to the printer.

Self Test

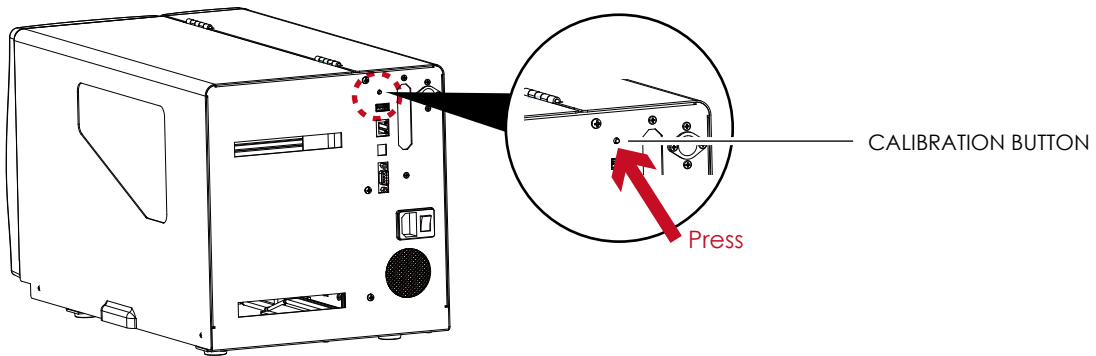
Self-test function lets you check whether the printer is functioning normally.
Here is how you run the label size calibration and self test.

1. Check that the label stock is loaded correctly.
2. Turn off the printer.
3. Turn the printer on again, keeping the FEED button pressed. The printer will now measure the label stock and store the label height.
4. Once the printer has successfully measured the label stock, it will print a self-test label.
The contents of a self-test printout are listed below.

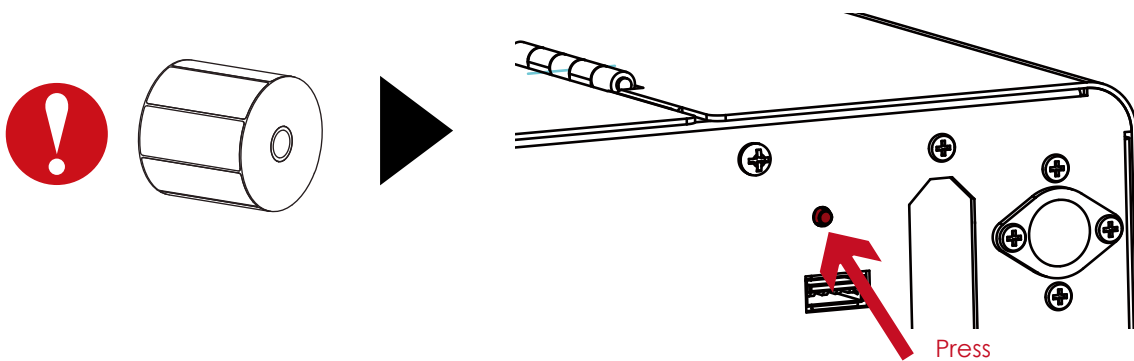
Model & Version	EZ2250i:GX.XXX
USB ID setting	USB S/N:12345678
Serial port setting	Serial port:96,N,8,1
MAC address of Ethernet port	MAC Addr:xx-xx-xx-xx-xx-xx
IP protocol setting	DHCP Enable
IP address of Ethernet port	IP xxx.xxx.xxx.xxx
Gateway setting	Gateway xxx.xxx.xxx.xxx
Netmask setting	Sub-Mask xxx.xxx.xxx.xxx
	#####
Number of DRAM installed	1 DRAM installed
Image buffer size	Image buffer size:1500 KB
Number of forms	0000 FORM(S) IN MEMORY
Number of graphics	0000 GRAPHIC(S) IN MEMORY
Number of fonts	000 FONT(S) IN MEMORY
Number of Asian fonts	000 ASIAN FONT(S) IN MEMORY
Number of Databases	000 DATABASE(S) IN MEMORY
Number of Scalable fonts	000 TTF(S) IN MEMORY
Free memory size	4073 KB FREE MEMORY
Speed, Density, Ref. Point, Print direction	^S4 ^H8 ^R000 ~R200
Label width, Form length, Stop position	^W102 ^Q100,3 ^E18
Cutter, Label Dispenser, Mode	Option:^D0 ^O0 ^AD
Sensor Setting	Reflective AD:1.96 2.84 2.49[0.88_23]
Code Page	Code Page:850
Printer is on factory default	Default state=Yes

Label Calibration Button

A hardware button to make a Label Calibration while printer encountering "Media Error" during the cases when first-time printer start up or change label or ribbon to another type, such as change using gap label to continuous or black mark labels.



Press C-button for 2 seconds, it will make an auto-sensing to calibrate the label and ribbon's parameters.

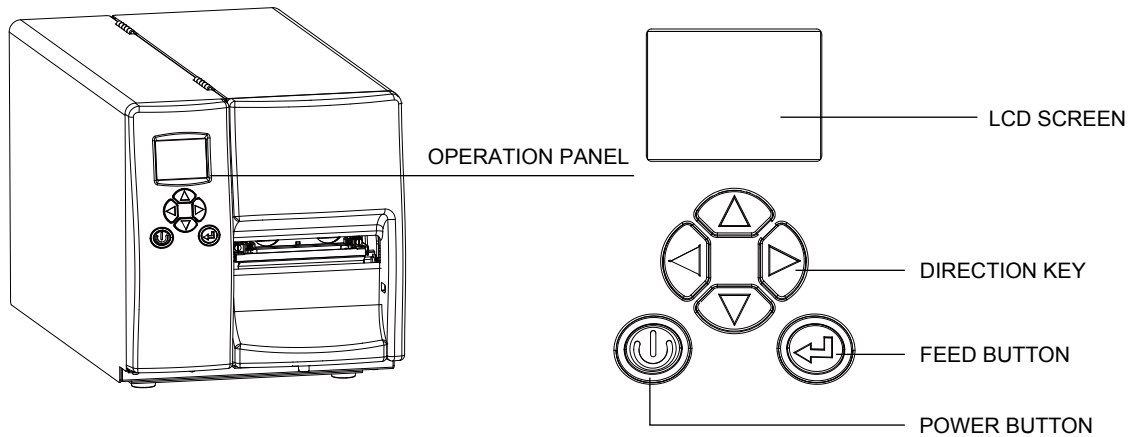


Notice

- * Press C-button is equivalent to the auto-sensing command '~S,SENSOR' that will cancel on-printing-job and make the Label Calibration immediately.

3-5. Error Alerts

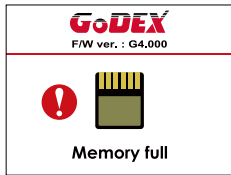
In the event of a problem that prevents normal functioning of the printer, you will see an error message on LCD screen and hear some beep signals. Please refer to below table for the error alerts.



Operation Panel Status	Type	Beeps	Description	Solution
	Print Head Error	2 x 4 beeps	The printing mechanism is not correctly closed.	Open the print mechanism and close it again.
	Print Head Error	None	High temperature at the print head.	Once the print head has cooled down, the printer switches to standby mode.
	Media Error	2 x 3 beeps	No ribbon is installed and the printer displays an error. The ribbon is finished or the label supply hub is not moving.	Make sure that the printer is set to direct thermal printing mode. Replace the ribbon roll.
	Media Error	2 x 2 beeps	No paper is detected. Paper is finished. Printer feed problem.	Make sure that the label sensor is positioned correctly. If the sensor still does not detect the paper, run the auto-detection function again. Replace the label roll. Possible reasons: the print medium has become trapped around the rubber roll; the sensor cannot detect a gap or black mark between the labels; there is no paper. Please reset the sensor.

Operation Panel

Status



Type	Beeps	Description	Solution
		The memory is full. The printer prints the message "File System full ".	Delete unnecessary data or install additional memory.
File Error	2 x 2 beeps	Unable to find file. The printer prints the message "File Name not found"	Use the "~X4" command to print all files. Then check whether the files exist and whether the names are correct.
		A file of the same name already exists. The printer prints the message "Duplicate Name".	Change the name of the file and try storing it again.

3-6. USB Host

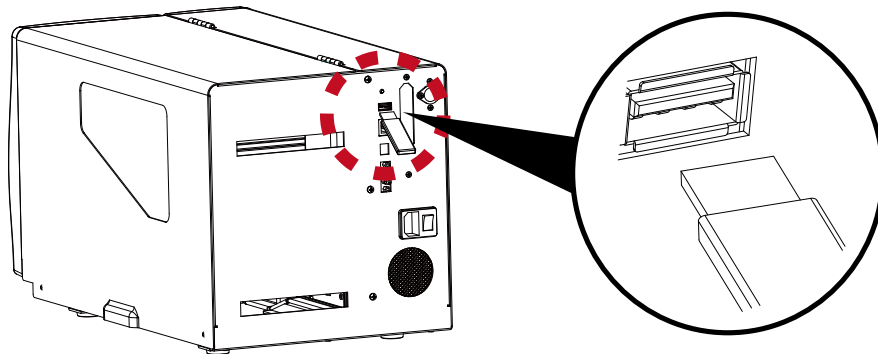
Definition : USB Host port supports either device : USB memory stick, keyboard or scanner.

Purpose

- USB memory stick : It extends the user memory space up to 32GB for Graphic, Font, Label Format, DBF and Command files downloading. The printer's Firmware also can be updating if copy new version of Firmware into USB memory stick.
- Connecting an USB keyboard to printer for " Standalone" mode operation.
- Plug-in an USB scanner to operate the printer in "Standalone" mode.

Usage of Extended Memory

- USB memory stick : It supports hot-plugging function; printer will create a Folder "\\LABELDIR" and switch "User Flash" to " Extended Memory" automatically while user plugs an USB memory stick into a GoDEX "i" model printer.
- Connect the USB Stick plugged -in printer to PC via USB Device or Ethernet port and run "GoLabel" software to download Graphic, Font, Label Format, DBF and Command files to the printer.
- Detail download procedures, please refer to "GoLabel On-line Help".



Usage of Firmware Update

- Remove USB memory stick from printer and plug-in it to a PC's USB port; delete Firmware "*.bin" file from "\\LABELDIR\FW" of USB memory stick if it existing; or create a Folder "\\LABELDIR\FW" to USB memory stick if it doesn't existing.
- Copy a new version of Firmware "xxx.bin" to the Folder "\\LABELDIR\FW"; and then remove USB and plug-in back to the printer that going to update Firmware.
- The printer will update the Firmware automatically when plug-it-into the printer and printer find-out the Firmware in "\\LABELDIR\FW" is newer version.
- Don't remove the USB memory stick out while it's under updating with "Flash Writing..." message that displays on LCD panel.

USB Keyboard

- When plug-in an USB keyboard to the printer, LCD panel will display "Standalone Mode", press the "Enter" key on keyboard and "Feed" key in the printer to entering to the dialog for "Recall Label" operation.
- Only the sub-dialog "Recall Label" is able operating by keyboard as follow definition:
 1. Press "ESC" key to exist from "Standalone Mode" or back to previous dialog
 2. Press "F1", it will let the printer from "Ready" mode entering into "Standalone Mode"
 3. Press "Enter", "Arrow" and "Alphabetic" keys as the usual in PC that will perform the key-in function of "Recall Label" in "Standalone Mode".

Scanner

- When plug-in an USB scanner to the printer, LCD panel will display "Standalone Mode", press the "Feed" key in the printer to entering the dialog of "Recall Label" operation. User performs the "Recall Label" function interactively through the LCD panel, 4 direction keys, Feed key and Scanner.
- Scanner is using in "standalone Mode" to scanning the "Serial Number, Variable" and Print Quantity while the printer prompts a message on LCD panel and wait for data input.

Notice

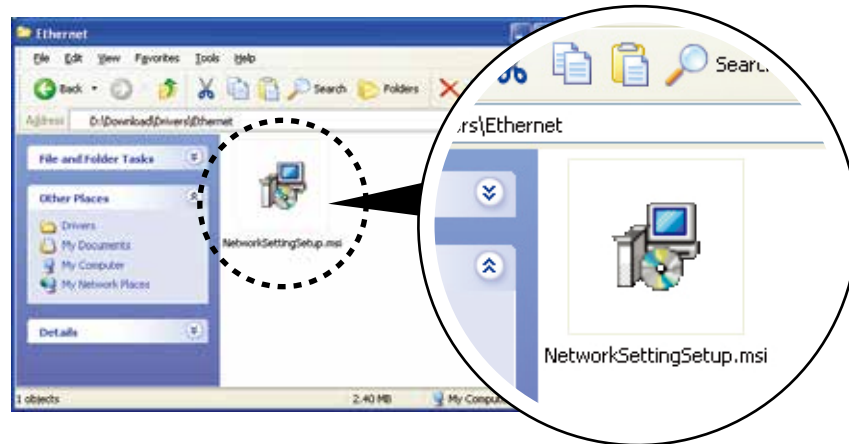
- * The USB Host port on 'i' 'x' model printer is without 'HUB' function.
- * The USB Memory Stick supports with 'FAT32' Disk Format and up to 32GB only. The certified venders are Transcend, Apacer, Patriot, Consair and Kingston.
- * The download function for Graphic, Font, Label Format, DBF and Command files is operated by GoLabel of PC and must go through the a 'i' 'x' model printer itself.
- * On a PC, user may copy entire folder '\\LABELDIR' from USB memory stick to PC or vice-versa. Copy a sub-folder or individual file in '\\LABELDIR' to PC or vice-versa is not supported.

4. NetSetting for Ethernet

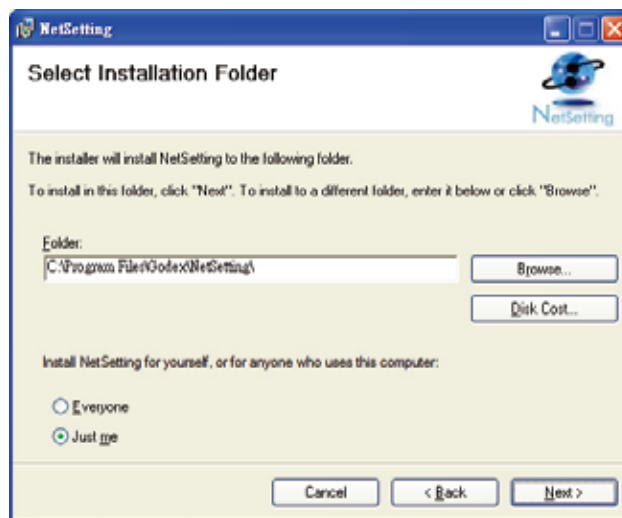
4-1. Installing the NetSetting software

The NetSetting software is used to manage the network configurations when connecting the printer via Ethernet port. It is available on product CD or can be downloaded from official website. To install the NetSetting, please follow below steps.

1. Insert the product CD in the CD/DVD drive of the host computer and open the "Ethernet" folder on the CD.
2. Select the icon for the NetSetting installation file and click it to start the installation.



3. Follow the instructions on the screen. The Setup Wizard guides you through the installation procedure.
4. Specify the "Installation Folder".

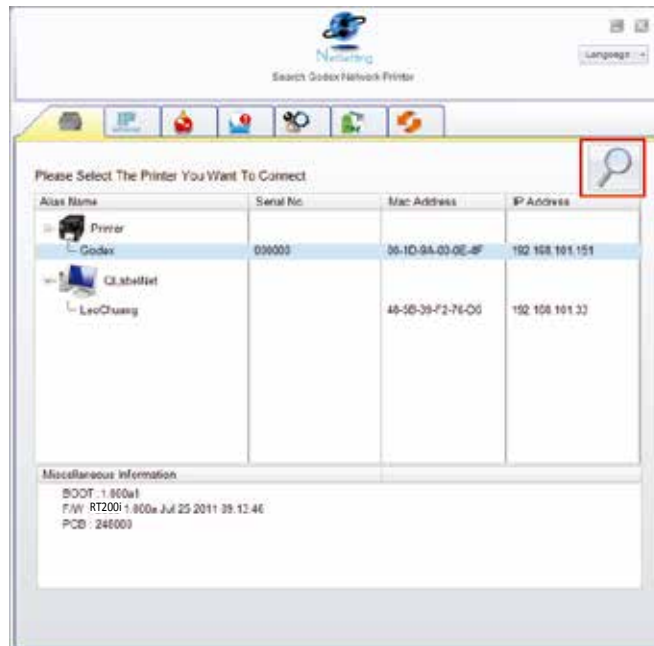


5. Click "Next" to start the installation.
6. Once the installation is completed; you will see the NetSetting icon on your desktop.

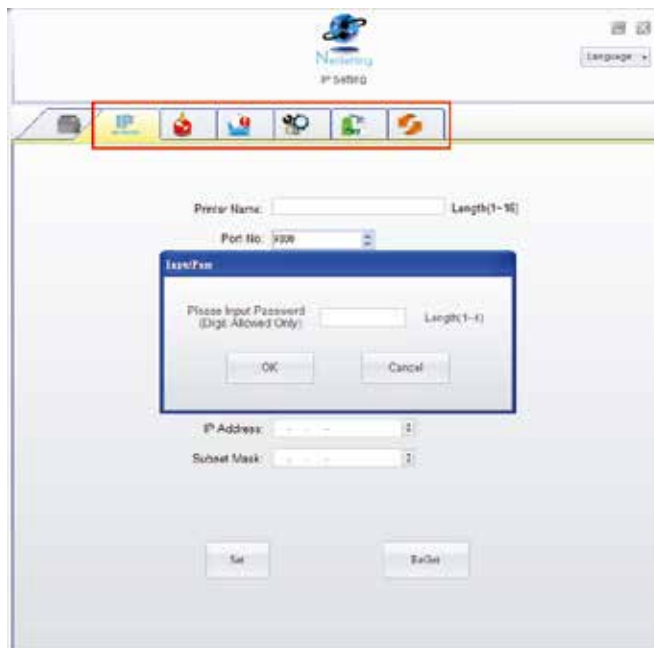


4-2. The Interface of NetSetting

Click the NetSetting icon to start the program; you will see the start page as below. The start page will display the basic information of connected printer and your PC.



Click the magnifier icon to search the Godex printers which are connected via Ethernet port in your network environment. Once a connected Godex printer is detected, it will be listed on the start page.



There are six tabs on the top of interface which can configure different types of network settings. But for the data security reason, you need correct password to enter the configuration pages.

Notice

* The default password is "1111", you can change the password later from the "IP Setting" tab.

IP Setting

The IP Setting tab can change the printer name, Port number, Gateway setting and the password for configuring the printer. You can also set the printer's IP address either by DHCP or by Static IP.

The screenshot shows the 'NetSetting IP Setting' window. At the top, there is a logo for 'NetSetting' and a 'Language' dropdown menu. Below the logo is a navigation bar with several icons: a printer, 'IP NETWORK', a red apple, a blue envelope with an exclamation mark, a gear, a green printer, and a red circular arrow. The main content area contains the following fields and options:

- Printer Name: Length(1~16)
- Port No:
- Default Gateway:
- Password: Length(1~4)
- Get IP From DHCP Server
- Static IP
- IP Address:
- Subnet Mask:

At the bottom of the window, there are two buttons: 'Set' and 'ReGet'.

You can press “Set” button to apply the settings and “ReGet” button to refresh the setting values.

Notice

- * To fully benefit from the NetSetting software, you should be familiar with basic networking principles. Please contact your network administrator for related network setting information.

Alert Path Setting

NetSetting will send the alert messages to designated mail account when the error happened on printer. The alert messages are sent by SMTP (Simple Mail Transfer Protocol) or SNMP (Simple Network Management Protocol). You can set or change the configurations of SMTP and SNMP on this “Alert Path Setting” tab.

SMTP Notification Enable

Login Account: Length(1~64)

Login Password: Length(1~16)

Server IP Address: xxx.xxx.xxx.xxx

Mail Subject: Length(1~60)

Mail From Address: Length(1~32)

Mail To Address: Length(1~32)

Duration Cycle: 0 ~ 168 Hours

Event Counter: 1 ~ 100

SNMP Notification Enable

SNMP Community: Length(1~16)

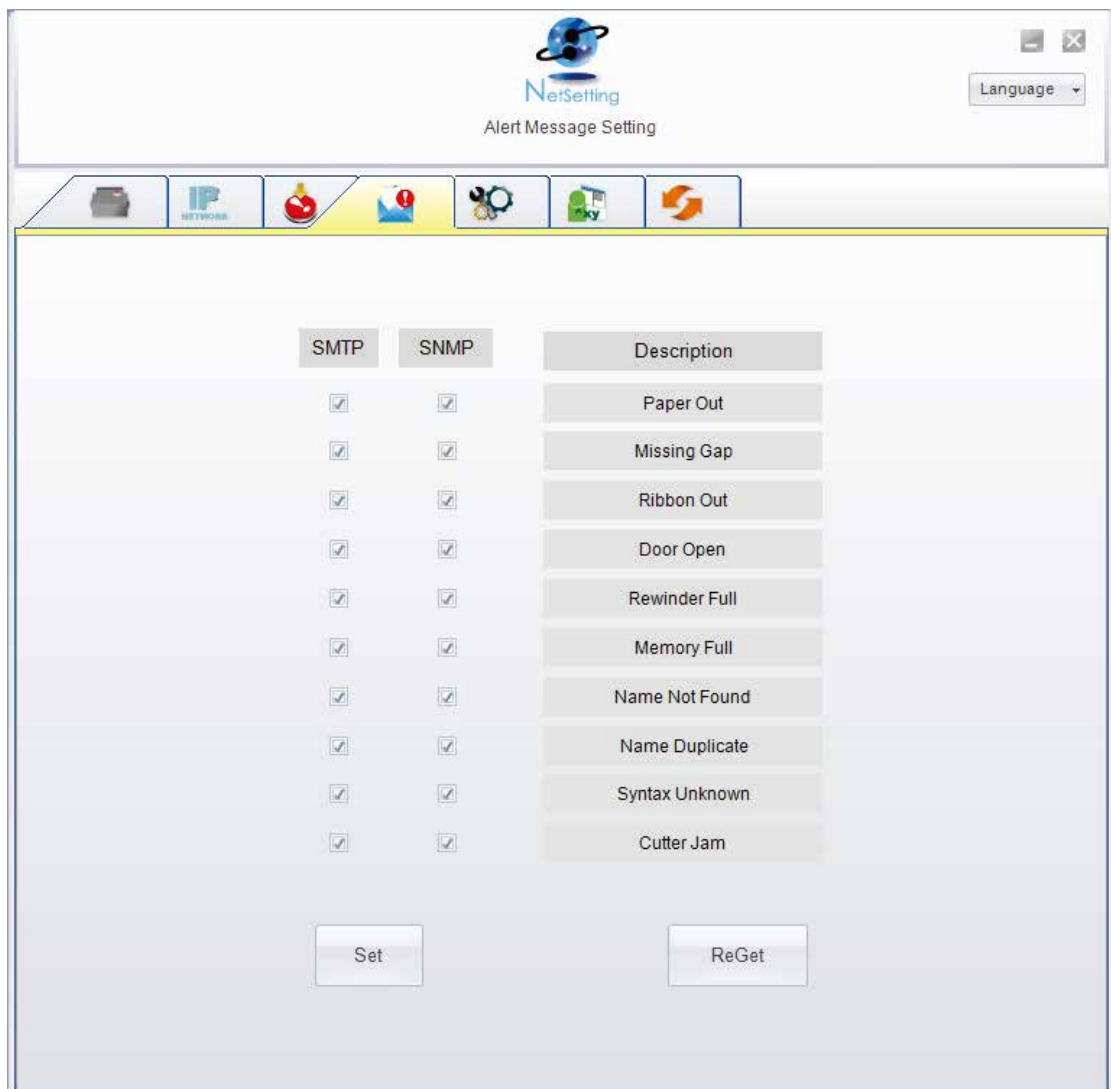
SNMP Trap Community: Length(1~16)

Trap IP Address: xxx.xxx.xxx.xxx

You can press “Set” button to apply the settings and “ReGet” button to refresh the setting values.

Alert Message Setting

For the alert message notification function, you can decide which error cases need to be sent out to the operator. Moreover, the alert messages can be set to be sent by SMTP, SNMP or both.



You can press “Set” button to apply the settings and “ReGet” button to refresh the setting values.

Printer Configuration

Set or change the configurations of connected printer. Most of key settings for the printer operation can be done by this setting page.

NetSetting
Printer Configuration

Language

Printer Setup

Printer Model	Resolution	Speed	Darkness	Stripper/Applicator	Labels per Cut	Printing Mode
EZ-2250i	203	4	10	0 (None)	0	Thermal Transf

PC Com Port Settings

Baud Rate: 9600
Parity: None
Data Bits: 8
Stop Bits: 1

Miscellaneous

LCD Language: [] Sensing Mode: 2 - Automatic
Keyboard Language: [] Smart Backfeed: OFF
Code Page: Code Page 850 Top Of Form: ON
Buzzer: ON

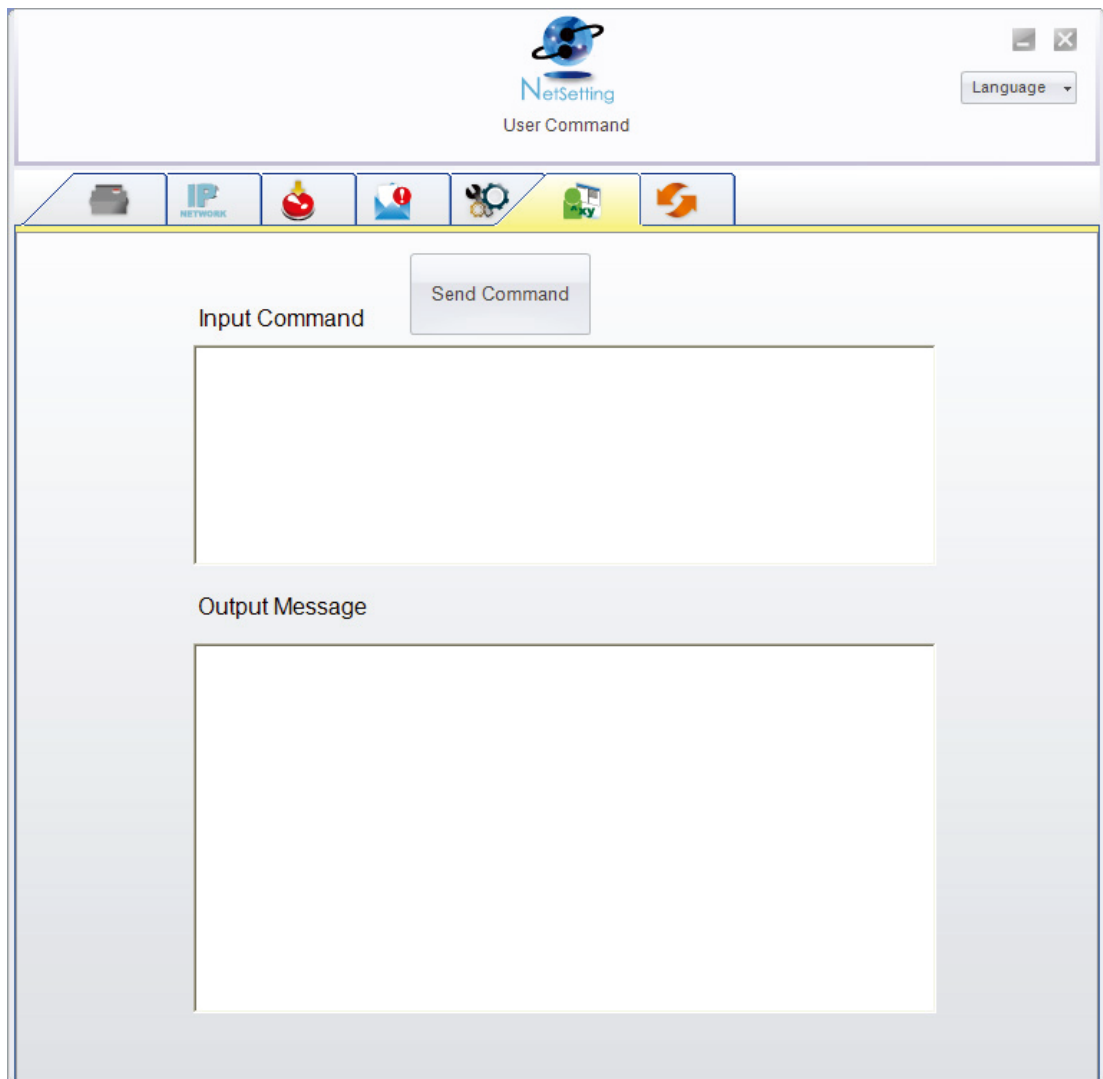
Set ReGet

You can press “Set” button to apply the settings and “ReGet” button to refresh the setting values.

User Command

The "User Command" tab provides a communication interface for operator to control the printer. Input printer commands in "Input Command" window and press "Send Command" button, the commands will be sent to the printer.

For some commands that will return response message, the message will be displayed in "Output Message" window.

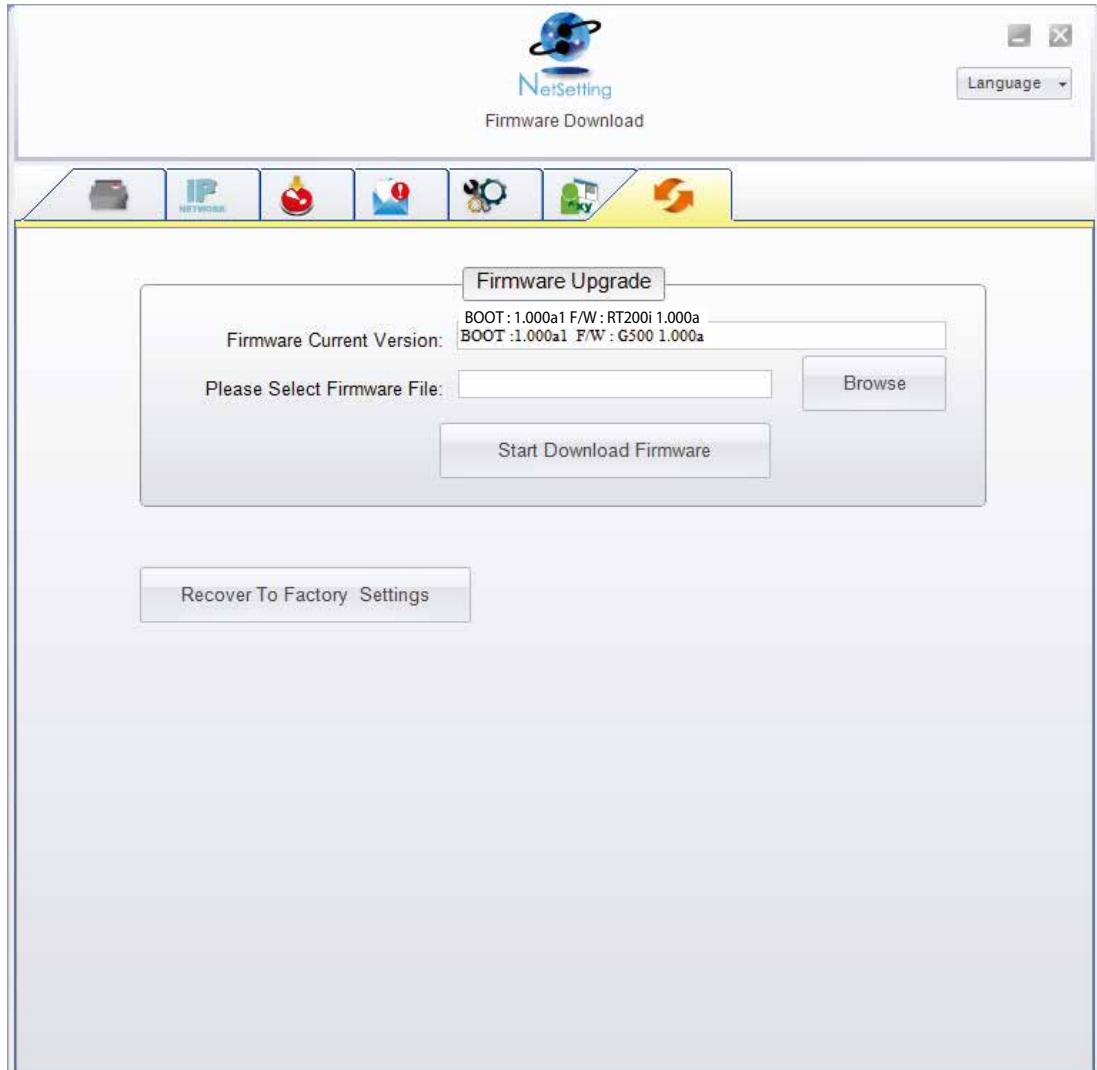


You can press "Send Command" button to send printer commands via Ethernet port and control the printer remotely.

Firmware Download

On “Firmware Download” tab, the current version of printer firmware will be showed on the screen. If you need to update the printer firmware, just specify the file location of firmware file and press “Start Download Firmware” button.

The printer firmware then can be updated remotely.



In addition to the firmware update, you can press “Recover To Factory Settings” button to restore the printer configurations back to factory default.

5. Accessories

5-1. Internal rewinder

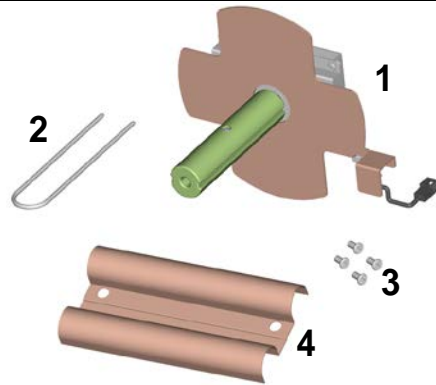
1	Rewinder
2	Retention clip
3	Screws (set of 4)
4	Rewinder guide

【Note】

Maximum height of the rewound medium: 118 mm

【Suggestion】

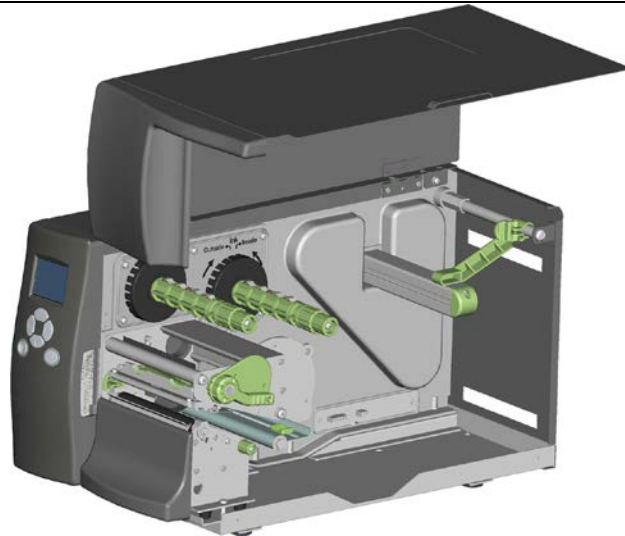
Medium thickness: 0.06 mm–0.25 mm



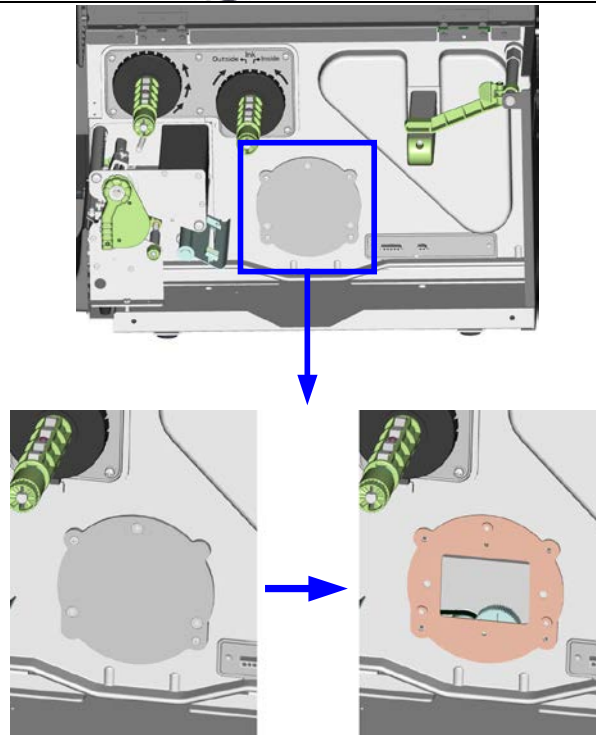
1. Place the printer on a flat surface and open the printer cover.

【Note】

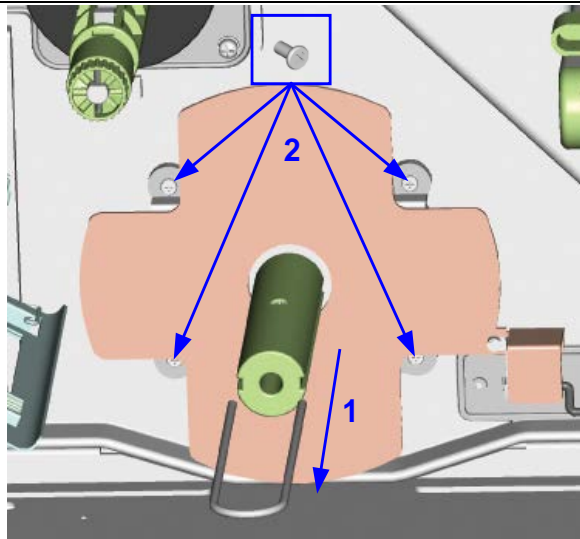
Remember to switch off the printer before starting the installation.



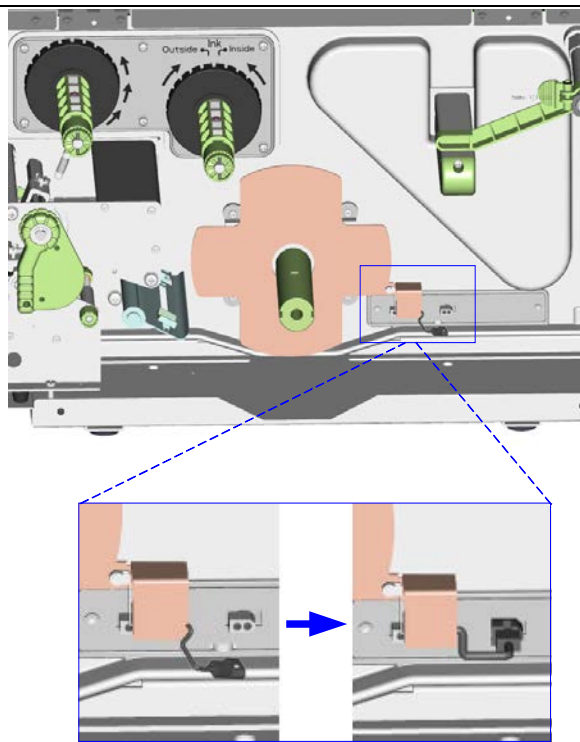
2. Remove the cover for the rewinder module.



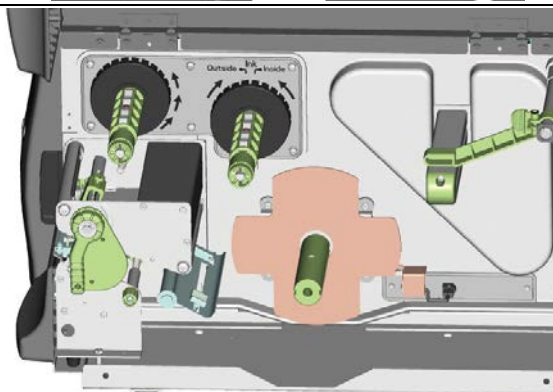
3. Remove the retention clip from the rewinder.
4. Secure the rewinder on the printer housing using the four screws supplied.



5. Now connect the rewinder cable to the printer housing.



6. Installation of the rewinder module is now complete.



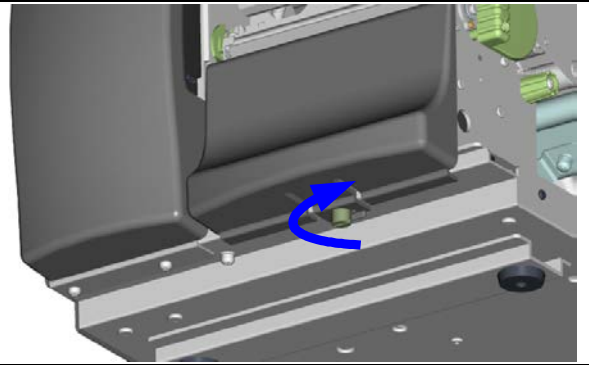
5-2. Installing the rewriter guide

1. Unscrew the screw marked in the illustration on the front of the printer, which secures the lower cover plate.

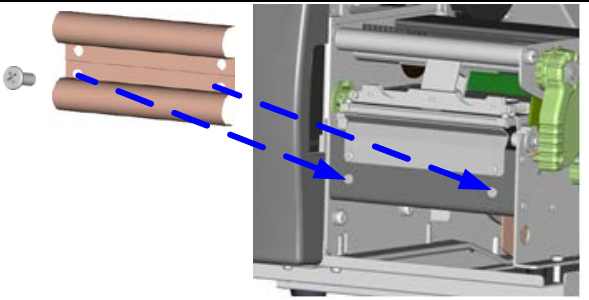
2. Remove the lower cover plate.

【Note】

Switch off the printer before starting the installation.



3. Mount the rewriter guide on the print mechanism and secure it with screws.



4. Installation of the rewriter guide is now complete.

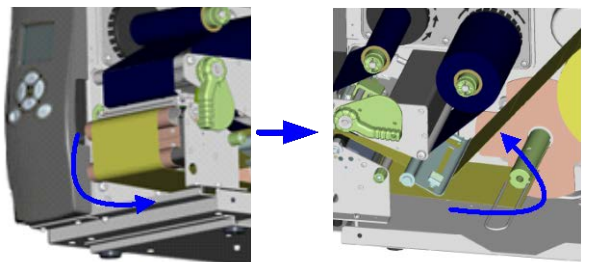


5. Now load the label stock.

6. Pass the label stock through the rewriter from the bottom up. Secure the label stock on the rewriter using the retention clip.

【Note】

Make sure you choose the correct rewind direction.



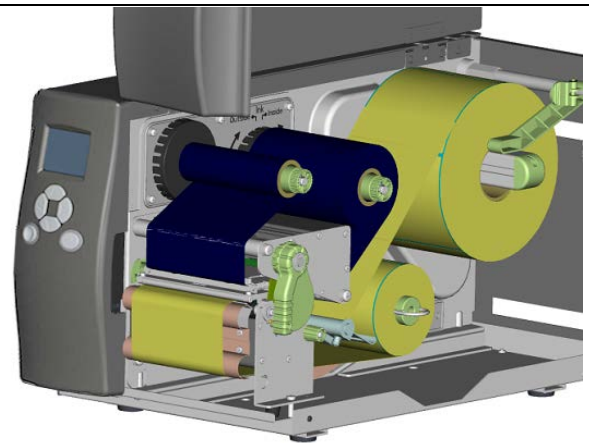
7. Close the printer cover to complete the installation.

【Note 1】

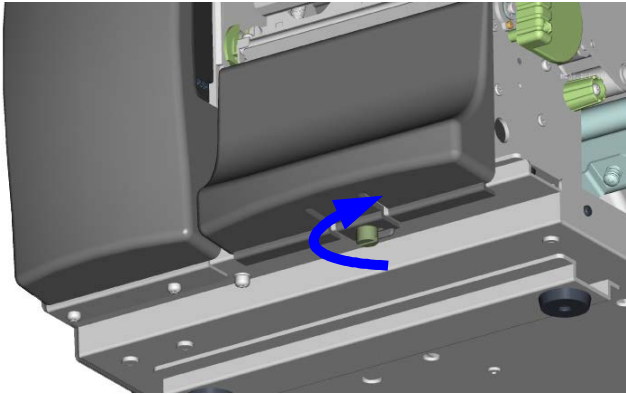
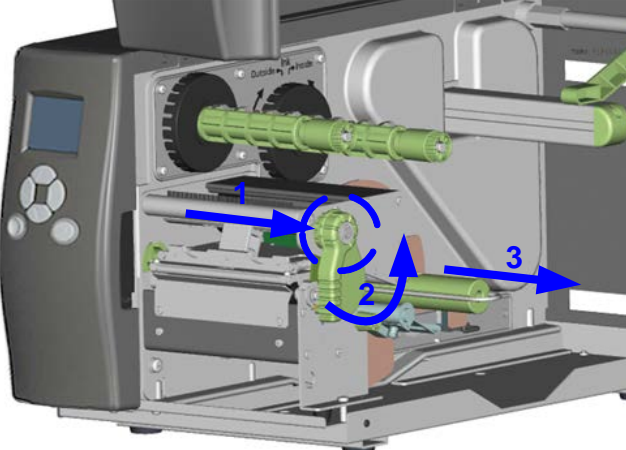
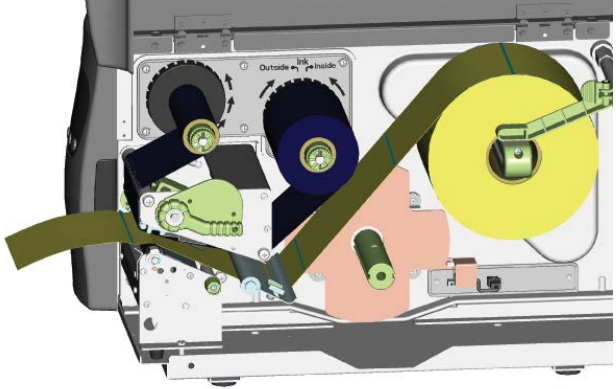
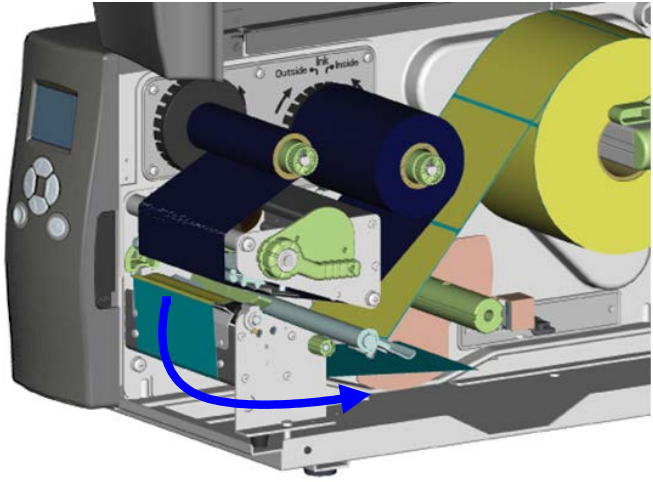
Before you start using the rewriter, please make sure that you have carried out all the steps as shown in the illustrations.

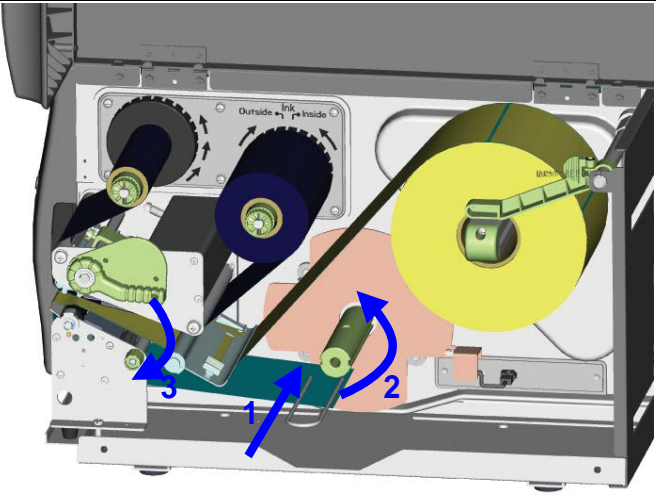
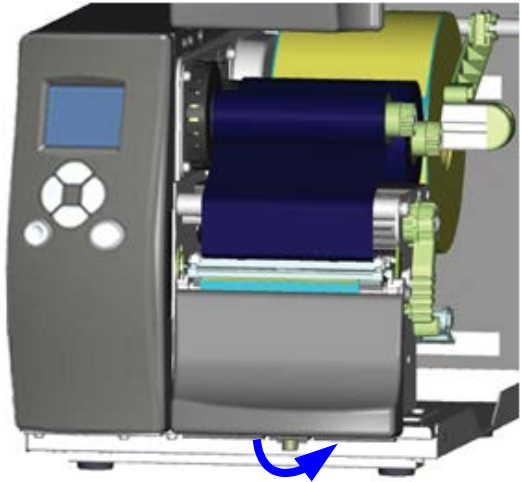
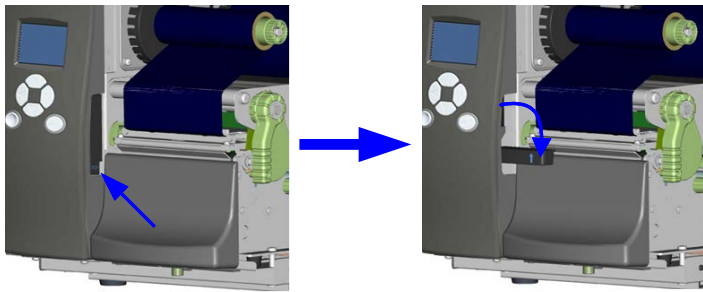
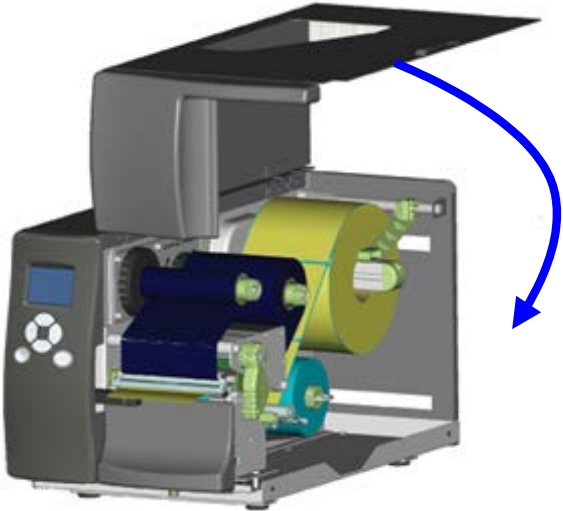
【Note 2】

To use the label dispenser, you have to remove the rewriter guide again.



5-3. Label dispenser

<ol style="list-style-type: none"> 1. Unscrew the screw marked in the illustration on the front of the printer, which secures the lower cover plate. 2. Remove the lower cover plate. <p>【Note】 Switch off the printer before starting the installation.</p>	
<ol style="list-style-type: none"> 3. Place the printer the right way up again. 4. Pull out the print head release lever as shown in the illustration (1) and turn it anticlockwise to a top right position (2). 5. Remove the retention clip. 	
<ol style="list-style-type: none"> 6. Now load the label roll into the printer. <p>【Note】 A label liner thickness of 0.06 mm \pm 10%, a weight of 65 g/m² \pm 6% and a label height of 20 mm are recommended.</p> <p>【Suggestion】 When using the label dispenser, you should set the stop position (^E) to 12.</p>	
<ol style="list-style-type: none"> 7. Strip a few labels off the label liner (approx. 400 mm). Then pass the label liner through the print mechanism and from the bottom up onto the rewinder. 	

<p>8. Wind the label liner around the rewinder and secure it using the retention clip.</p> <p>9. Return the print head release lever to its original position.</p> <p>【Note】 Please make sure that the label stock rewinds the right way onto the rewind hub.</p>	
<p>10. Replace the lower cover plate on the printer and secure it with screws</p>	
<p>11. Press the lower part of the stripper sensor to fold it out.</p> <p>12. The sensor locks in a horizontal position.</p>	
<p>13. Close the printer cover to complete installation of the dispenser.</p>	

5-4. Installing the cutter

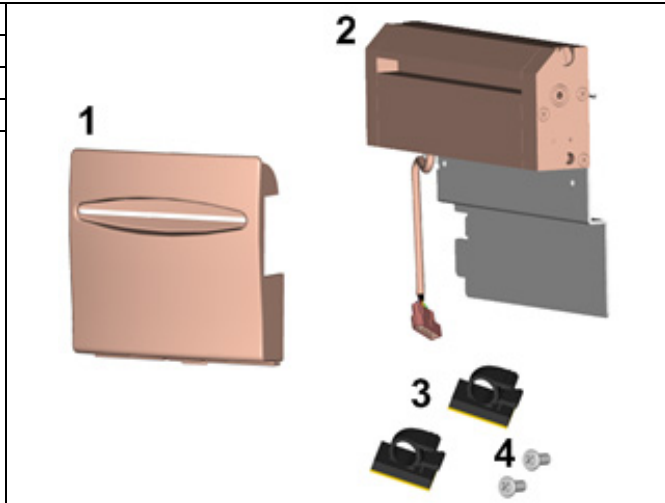
1	Cutter cover
2	Cutter module
3	Cable clips
4	Screws (set of 4)

【Note 1】

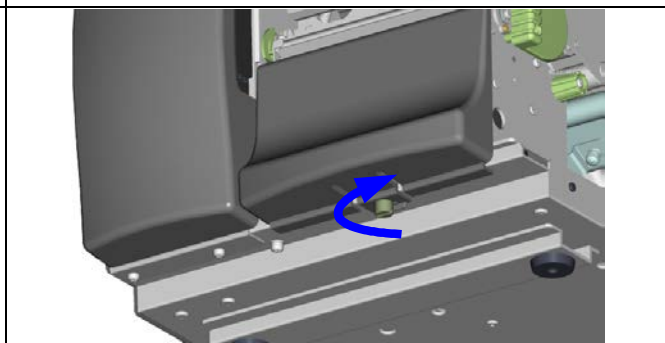
Remember to switch off the printer before installing the cutter.

【Note 2】

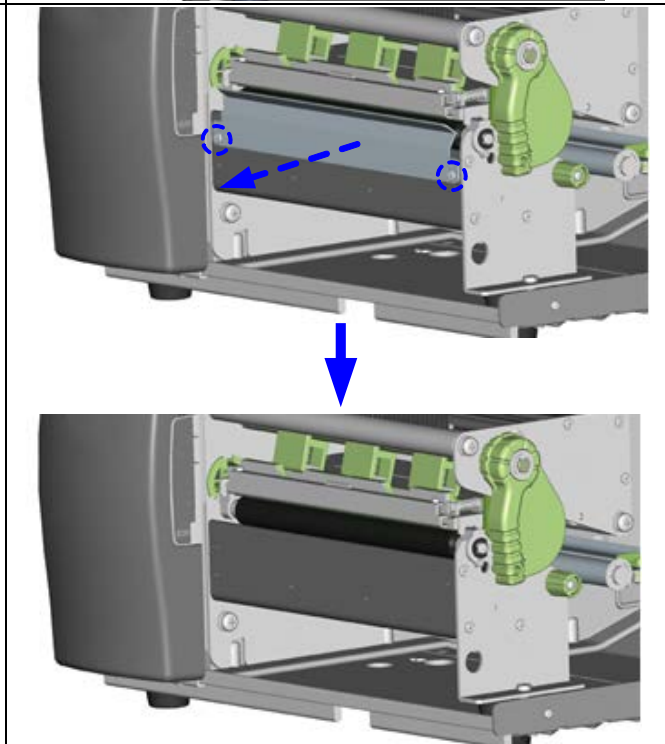
*Do not use to cut adhesive labels!
Glue residue will be left on the cutter blade and impair its functioning.
The cutter has a blade life of 500,000 cuts when using paper weighing 160 g/m² and 250,000 cuts when using paper weighing 200 g/m².*

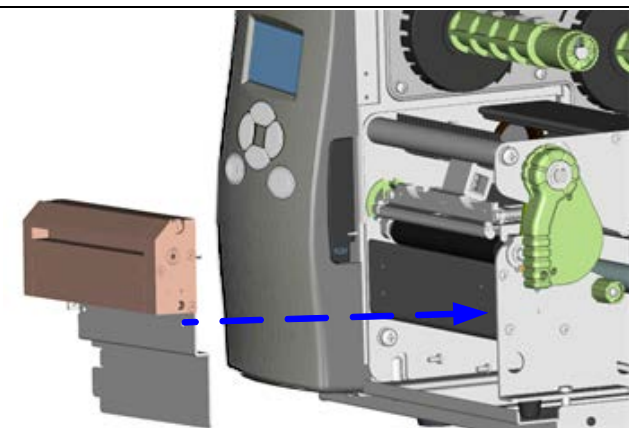
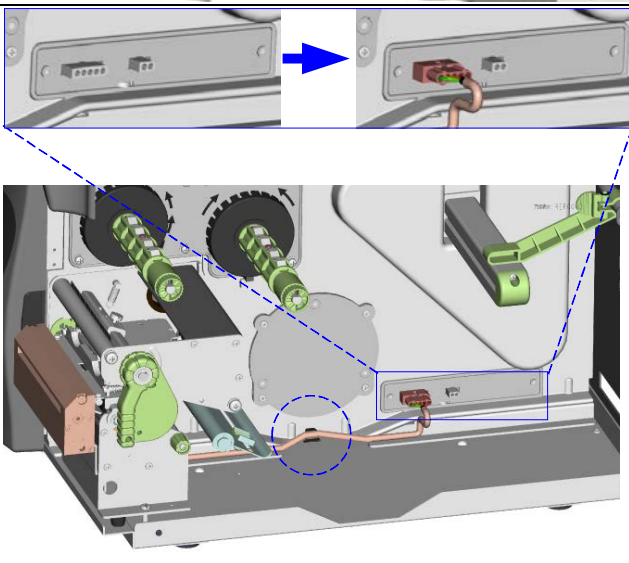
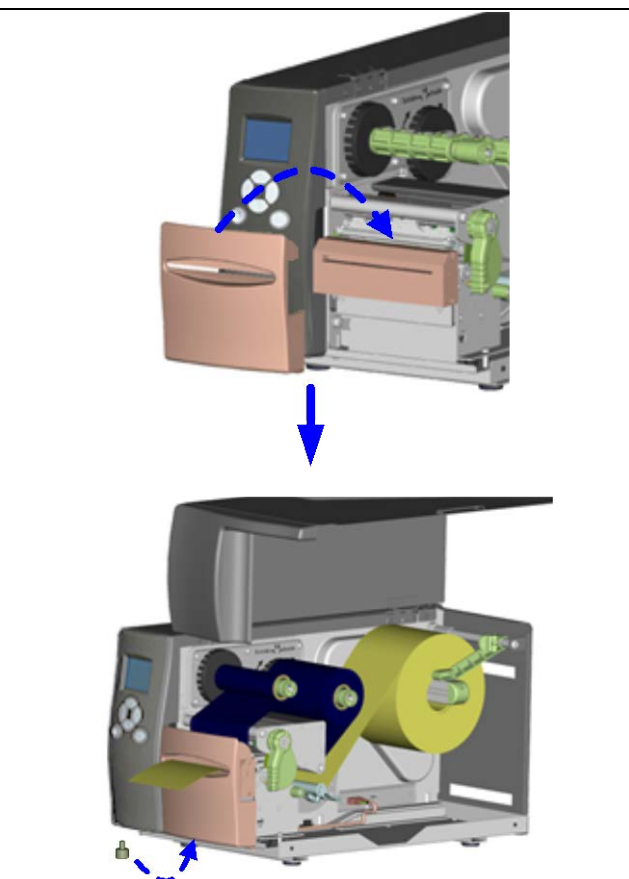


1. Unscrew the screw marked in the illustration on the front of the printer, which secures the lower cover plate.
2. Remove the lower cover plate.

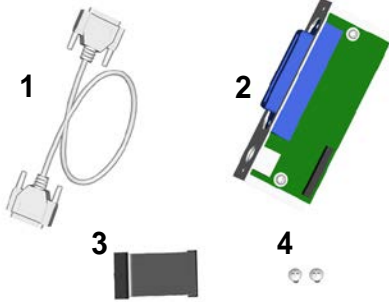
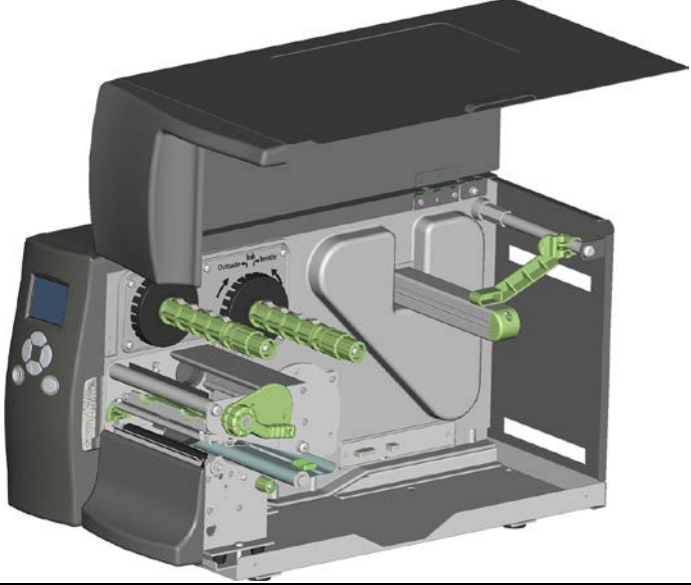
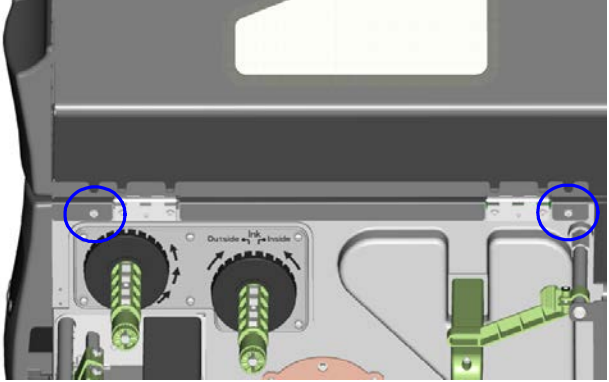
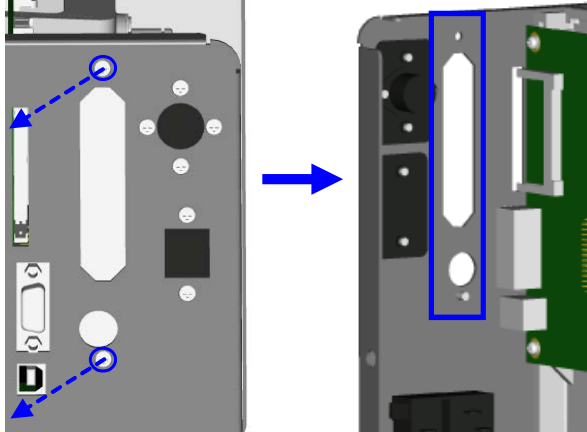


2. Remove the two screws securing the tear-off plate, then remove the tear-off plate.

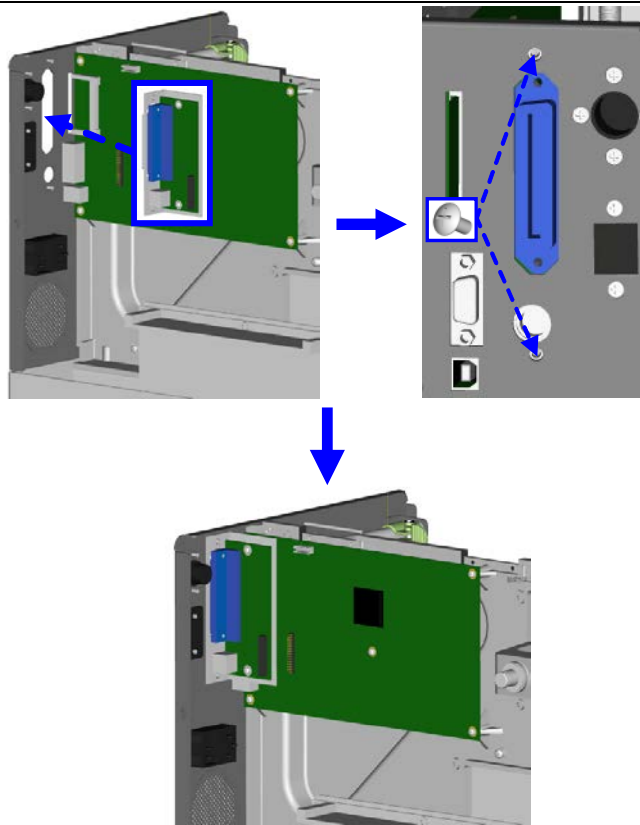


<p>3. Secure the cutter module on the printer housing using the screws.</p>	
<p>4. Connect the cutter cable connector to the cutter jack on the printer.</p> <p>5. Route the connection cable along the bottom of the printer housing using the cable clips.</p>	
<p>6. Place the cutter cover over the cutter module and secure it using the screw you removed from the lower cover plate.</p> <p>7. Now load the label roll into the printer and close the printer cover.</p> <p><i>【Note 1】</i> Check whether the cutter function is enabled in the printer.</p> <p><i>【Note 2】</i> Labels or paper should be at least 30 mm high.</p> <p><i>【Suggestion】</i> After installation of the cutter module, set the stop position (^E) to 26.</p>	

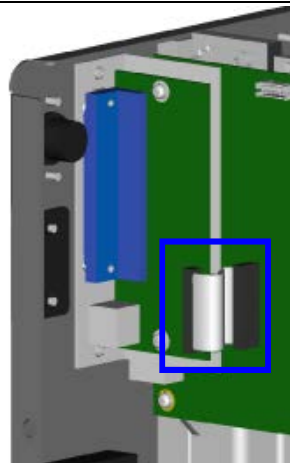
5-5. Installing the Parallel adapter

<ol style="list-style-type: none"> 1 Parallel cable 2 Parallel adapter 3 Connection cable 4 Screws (set of 2) 	
<ol style="list-style-type: none"> 1. Check whether the printer is switched off. Place the printer on a flat surface and open the printer cover. 	
<ol style="list-style-type: none"> 2. Unscrew the two screws marked in the illustration on the right and remove the left-hand side of the printer housing. 	
<ol style="list-style-type: none"> 3. Unscrew the screws on the parallel port cover and remove the cover. 	

4. Install the Parallel adapter in its place and secure it on the housing with screws.



5. Connect the 30-pin connection cable to the motherboard.



6. Replace the left-hand part of the printer housing and secure it with the screws you removed earlier.
7. Installation of the Parallel adapter is now complete.



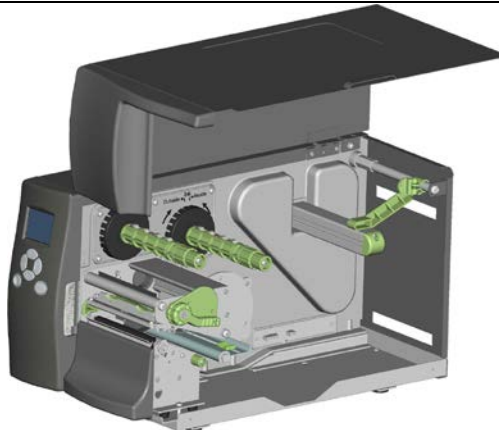
6. Maintenance and adjustment

6-1. Installing / removing the print head module

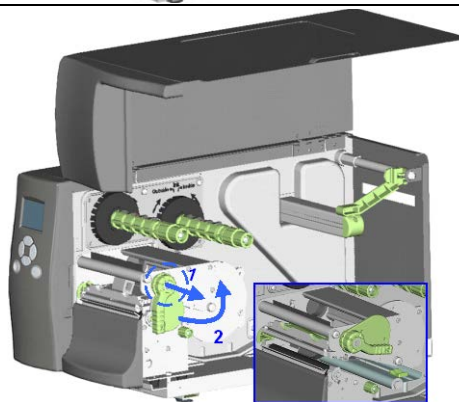
1. Open the printer cover.

【Note】

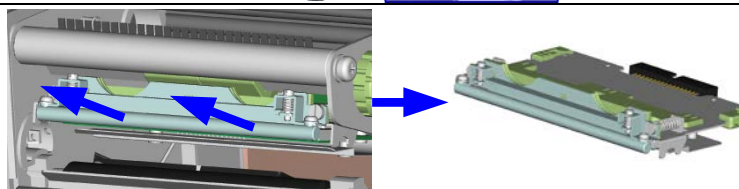
Remember to switch off the printer before removing the print head module.



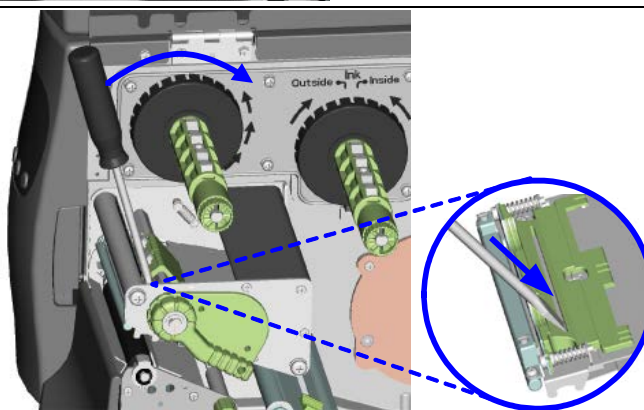
2. Pull out the print head release lever as shown in the illustration (1) and turn it anticlockwise to a top right position (2).



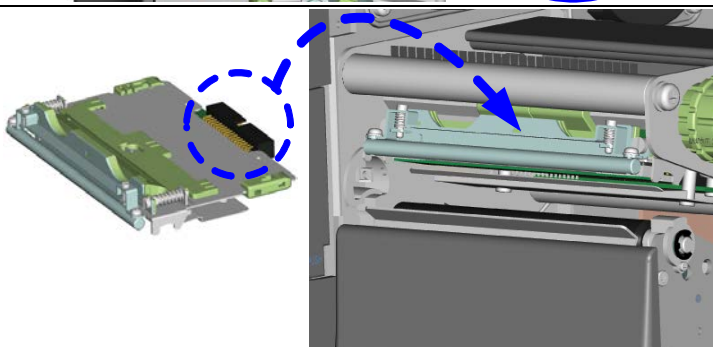
3. Hold the print head module at the front and gently pull it out.



4. If you cannot remove the module by gently pulling it, use a screwdriver as shown in the illustration.



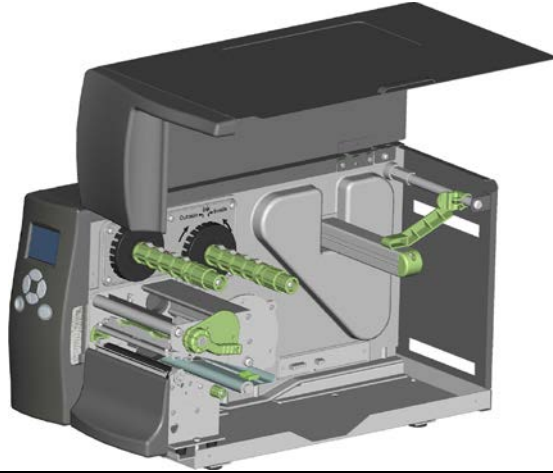
5. Hold the module at the front and slide it into the printer along the guide rails. Firmly press the module in so the contacts are fully connected.



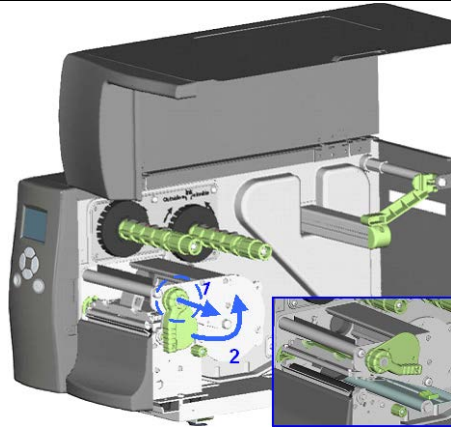
6-2. Adjusting the print line

Please contact your local dealer for technical support.

1. Open the printer cover.

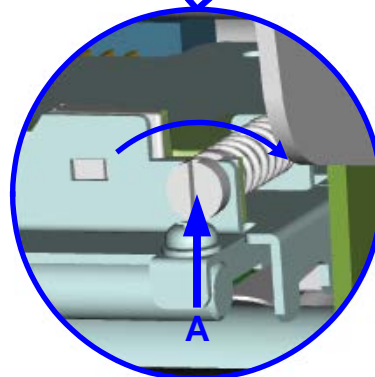
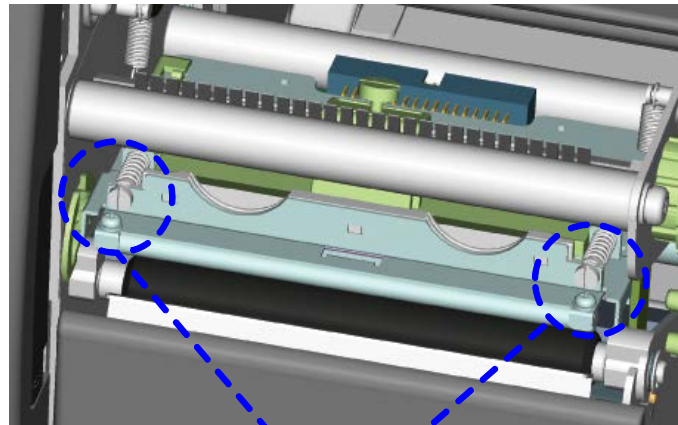


2. Pull out the print head release lever as shown in the illustration (1) and turn it anticlockwise to a top right position (2).



3. TPH print line adjustment:

- ◆ When printing is slow or when printing on thick label stock, the print line must be moved to the front (in paper feed direction) for a better print result. Using a flat-head screwdriver, turn the screws clockwise to move the TPH forward.
- ◆ The two screws on the left and right must be adjusted to the same position to ensure the print line and feed roller are in parallel.
- ◆ One turn of the screw moves the print head by 0.5 mm. To keep track of the change in quality, you should adjust the screws by ¼ turn at a time.
- ◆ If no improvement is visible, gently turn the screws clockwise as far as possible, then restart the adjustment process from there.

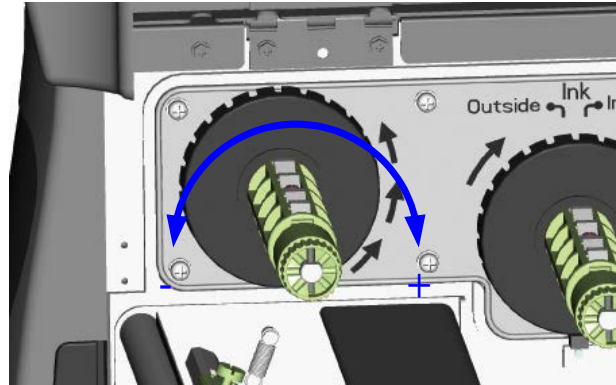


6-3. Adjusting the ribbon tension

You can adjust the ribbon tension by turning the ribbon shaft knob (green wheel at the base of the ribbon supply hub – see illustration) clockwise or anticlockwise. There are 4 possible settings, which are marked on the knob of the ribbon rewind hub and the ribbon supply hub. When set to 1, the tension is highest, while the tension is lowest at 4. If the tension is so low that the ribbon does not move forward, you need to reduce the tension of the ribbon supply hub or increase the tension of the ribbon rewind hub. To set the tension, press in the knob and turn it clockwise or anticlockwise as required.

Increasing the tension of the ribbon rewind hub will remove any wrinkling of the ribbon during printing, which results from the use of different ribbon materials. (For details about the wrinkling/creasing of ribbons, see Section 5-6.)

If you are using a very narrow ribbon, the printer may not move the label stock forward (particularly with a ribbon that is less than 2" wide). In that case, reduce the tension by turning the knob of the ribbon supply hub anticlockwise. If the tension is too high, the ribbon core may be crushed and thus impossible to remove. In that case, reduce the tension of the ribbon supply hub and the ribbon rewind hub by turning the knobs anticlockwise.



6-4. Cleaning the thermal print head

Dirt on the print head or ribbon may result in inadequate print quality (no printed image on part of the label). The printer cover should therefore be kept closed whenever possible. Keeping dirt and dust away from the paper or labels ensures a good print quality and a longer lifespan of the print head. Here is how you clean the print head:

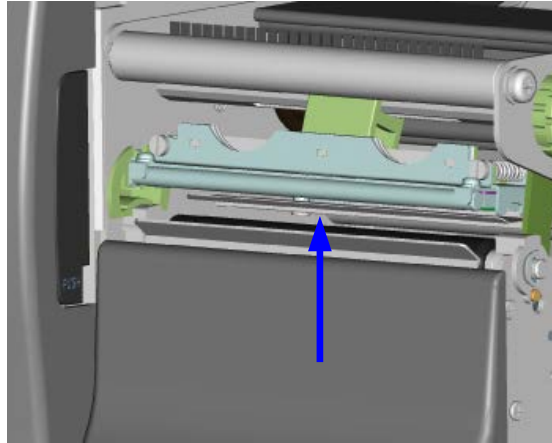
1. Switch off the printer.
2. Open the printer cover.
3. Remove the ribbon.
4. Release the print head by turning the print head release lever.
5. To remove any label residue or other dirt from the print head (see blue arrow), please use a soft lint-free cloth dipped in alcohol.

【Note 1】

The print head should be cleaned once a week.

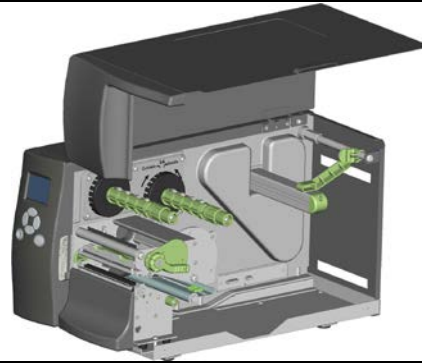
【Note 2】

Please make sure that there are no metal fragments or other hard particles on the soft cloth used to clean the print head.

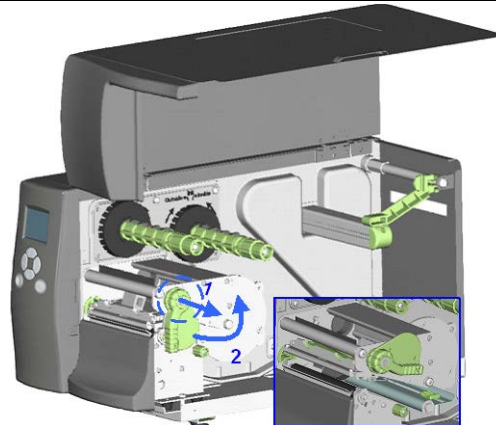


6-5. Adjusting the balance and print head tension

1. Open the printer side cover.

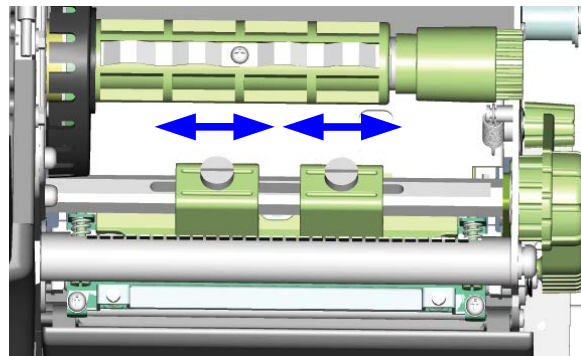


2. Pull out the print head release lever as shown in the illustration (1) and turn it anticlockwise to a top right position (2).



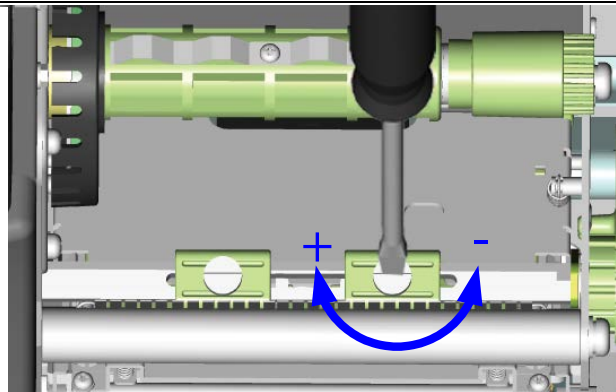
When using a variety of label stock and ribbons, the ink may not be evenly distributed. If there is no printed image on one side of the paper, or the ribbon wrinkles, the print head pressure must be readjusted using the TPH spring boxes.

3. Move the TPH spring boxes as shown in the illustration to change the print head pressure. The wider the medium you are using, the further out the TPH spring boxes must be moved.



If there is no quality improvement, you need to change the pressure on the TPH spring boxes.

4. Turning the screw clockwise increases the pressure, while turning it anticlockwise reduces the pressure.



6-6. Ribbon shield settings

1. The use of different ribbon materials may cause wrinkling of the ribbon, which in turn affects the print result as illustrated by the examples in (a) and (b). To change the print quality, you can adjust the ribbon shield screws.

If your print result looks like the example in (a), you need to turn ribbon shield screw A clockwise. If your print result looks like the example in (b), you need to turn ribbon shield screw B clockwise.



(a)

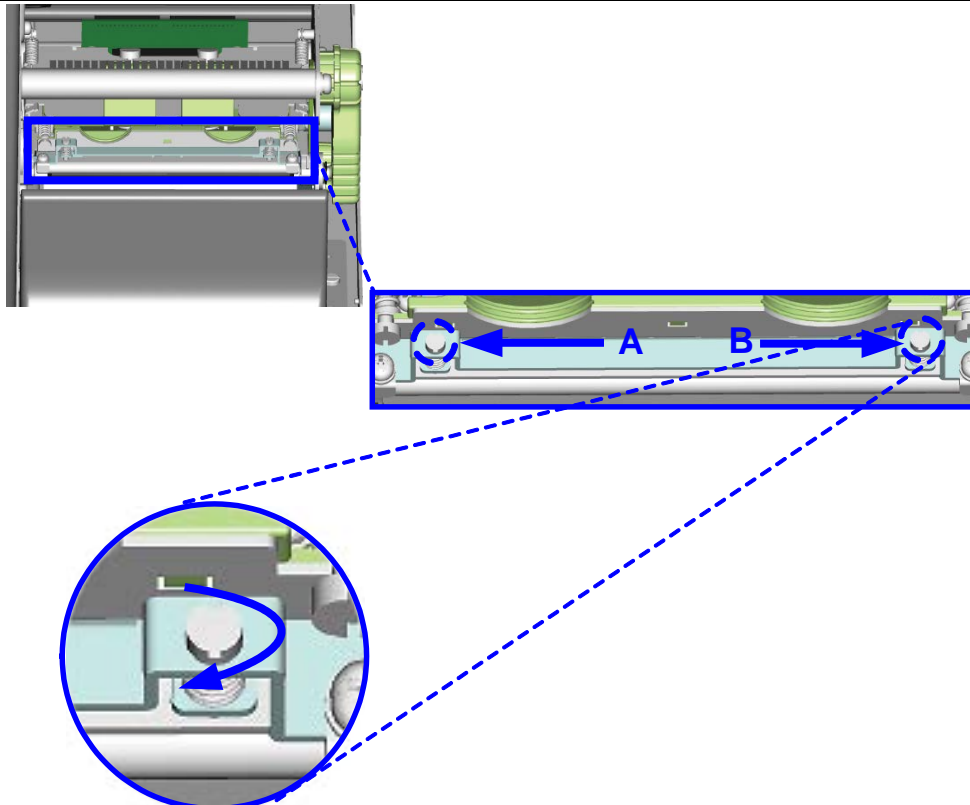


(b)

2. To keep track of the change in print quality, you should adjust the screws by half a turn at a time. Print a test page. If there is no improvement in the print result, turn the screw by another half turn. Do not turn the adjustment screw more than two full turns.

【Note】

If you adjust the screw by more than two full turns, the paper feed may no longer function correctly. In that case, unscrew the ribbon shield screws fully and restart the adjustment process.

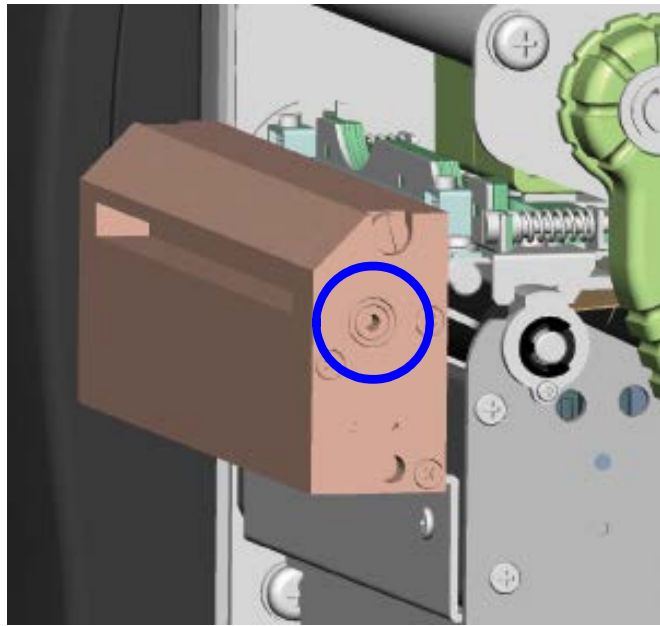


6-7. Cutter settings

1. Socket head screws for adjusting the cutter are located on both sides of the cutter.
2. In the event of a paper jam, the cutter will no longer function correctly. Switch off the printer and use a hex key (#M3) to turn the socket head screw.
3. Turn the key anticlockwise to remove the jammed paper.
4. When you have removed the jammed paper, you can switch the printer back on. The cutter will automatically reset.

【Note】

The label medium should be at least 30 mm long to ensure correct functioning of the cutter.



6-8. Troubleshooting

Problem	Solution
The printer is switched on but the LCD screen does not light up.	<ul style="list-style-type: none"> ◆ Check the power supply.
The LCD screen shows the notice icon and printing is interrupted.	<ul style="list-style-type: none"> ◆ Check the software settings (driver settings) or command codes. ◆ Look for the error alert in the table in Section 3-5. Error alerts. ◆ Check whether the cutter is functioning normally and whether it is cutting at all. (Only if a cutter is installed.)
The label stock passes through the printer but no image is printed.	<ul style="list-style-type: none"> ◆ Please make sure that the label stock is loaded the right way up and that it is suitable material. ◆ Please make sure that the ribbon is loaded correctly.
The label stock jams during printing.	<ul style="list-style-type: none"> ◆ Clear the paper jam. Remove any label material left on the thermal print head and clean the print head using a soft lint-free cloth dipped in alcohol.
There is no printed image on part of the label or the image is blurred.	<ul style="list-style-type: none"> ◆ Check the thermal print head for dust or other dirt (label material or ribbon residue). ◆ Check for errors in the application software. ◆ Check the ribbon for wrinkles. ◆ Check the power supply. ◆ Run a self test (Section 3-4.). ◆ Check the quality of the print medium.
The printed image is positioned incorrectly or a label is missed out during printing.	<ul style="list-style-type: none"> ◆ Run the calibration function. (Section 3-4.) ◆ Check the label height setting. ◆ Check whether there is paper or dust covering the sensor. ◆ Check the paper guide settings.
The cutter does not cut off the labels in a straight line.	<ul style="list-style-type: none"> ◆ Check whether the label stock is positioned straight.
The cutter does not cut off the labels completely.	<ul style="list-style-type: none"> ◆ Check whether the label is too thick for cutting.
When using the cutter, the labels are not fed through or cut off incorrectly.	<ul style="list-style-type: none"> ◆ Check whether the cutter has been correctly installed. ◆ Check whether the paper guides are functioning correctly.
The label dispenser is not functioning normally.	<ul style="list-style-type: none"> ◆ Check whether there is dust on the label dispenser. ◆ Check whether the label stock is positioned correctly.

【Note】

If any problems occur that are not described here, please contact your dealer.

Appendix

A. Interfaces

Parallel port

Handshaking : DSTB is sent to the printer, BUSY to the host computer
 Interface cable : Parallel cable compatible with IBM computers
 Pinout : See below

Pin No.	Function	Transmitter
1	/Strobe	Computer / printer
2-9	Data 0-7	Computer
10	/Acknowledge	Printer
11	Busy	Printer
12	/Paper empty	Printer
13	/Select	Printer
14	/Auto-Linefeed	Computer / printer
15	N/C	
16	Signal Gnd	
17	Chassis Gnd	
18	+5V, max 500mA	
19-30	Signal Gnd	Computer
31	/Initialize	Computer / printer
32	/Error	Printer
33	Signal Ground	
34-35	N/C	
36	/Select-in	Computer / printer

Serial port

Default settings : Baud rate 9600, no parity, 8 data bits, 1 stop bit, XON/XOFF protocol and RTS/CTS

RS232C housing (9-pin to 9-pin)

DB9 socket		DB9 plug
---	1	+5V, max 500mA
RXD	2	TXD
TXD	3	RXD
DTR	4	N/C
GND	5	GND
DSR	6	RTS
RTS	7	CTS
CTS	8	RTS
RI	9	N/C
Computer		Printer

[Note] The total current to the parallel and serial ports may not exceed 500 mA.

USB port

Connector type : Type B

Pin No.	1	2	3	4
Function	VBUS	D-	D+	GND

Internal interface

UART1 wafer		Ethernet module	
N.C	1	1	N.C
TXD	2	2	RXD
RXD	3	3	TXD
CTS	4	4	RTS
GND	5	5	GND
RTS	6	6	CTS
E_MD	7	7	E_MD
RTS	8	8	CTS
E_RST	9	9	E_RST
+5V	10	10	+5V
GND	11	11	GND
+5V	12	12	+5V

UART2 wafer		Add-on module	
N.C	1	1	N.C
TXD	2	2	RXD
RXD	3	3	TXD
CTS	4	4	RTS
GND	5	5	GND
RTS	6	6	CTS
N.C	7	7	N.C
RTS	8	8	CTS
N.C	9	9	N.C
+5V	10	10	+5V
GND	11	11	GND
+5V	12	12	+5V

B. File Manipulation

The files in both devices (USB memory stick and printer internal Flash memory) are able to copy and move by the commands “~MCPY” and “~MMOV” that sends from GoLabel on a PC via ether connection – USB or Ethernet ports

Copy

Syntax	~MCPY,s:o.x,d:o.x
Description	Copy file from USB memory stick to Flash memory, or vise-versa
Parameter	<p>s = source device of stored object;</p> <ul style="list-style-type: none"> ● “D” for USB memory stick; “F” for internal Flash memory <p>d = destination device of stored object</p> <ul style="list-style-type: none"> ● “D” for USB memory stick; “F” for internal Flash memory <p>o = object name (file name); the name “o” is substituted for “*”</p> <p>x = extension (file type), the type “x” is substituted by “*”, or following either one: D= database, A= Asia font, C= TTF font, E= Bit-Mapped font, F= label format, G= graphic, S= serial file, T= text, B= Unicode Table.</p>
Example	<p>~MCPY,F:*F,D:*F (Copy entire “Label Format” files from Flash memory to USB memory stick)</p> <p>~MCPY,D:*G,F:*G (Copy entire “Graphic” files from USB memory stick to Flash Memory)</p> <p>~MCPY,D:**,F:* (Copy all object files from USB memory stick to Flash Memory)</p>

Move

Syntax	~MMOV,s:o.x,d:o.x
Description	Move files from USB memory stick to Flash memory or vise-versa
Parameter	<p>s = source device of stored object;</p> <ul style="list-style-type: none"> ● “D” for USB memory stick; “F” for internal Flash memory <p>d = destination device of stored object</p> <ul style="list-style-type: none"> ● “D” for USB memory stick; “F” for internal Flash memory <p>o = object name (file name); the name “o” is substituted for “*”</p> <p>x = extension (file type), the type “x” is substituted by “*”, or following either one: D= database, A= Asia font, C= TTF font, E= Bit-Mapped font, F= label format, G= graphic, S= serial file, T= text, B= Unicode Table.</p>
Example	<p>~MMOV,F:*F,D:*F (Move entire “Label Format” files from Flash memory to USB memory stick)</p> <p>~MMOV,D:*G,F:*G (Move entire “Graphic” files from USB memory stick to Flash Memory)</p> <p>~MMOV,D:**,F:* (Move all object files from USB memory stick to Flash Memory)</p>