

USER MANUAL

K3

CUSTOM[®]

CUSTOM S.p.A.
Via Berettine 2/B
43010 Fontevivo (PARMA) - Italy
Tel. : +39 0521-680111
Fax : +39 0521-610701
http: www.custom.biz

Customer Service Department:
www.custom4u.it

© 2022 CUSTOM S.p.A. – Italy.
All rights reserved. Total or partial reproduction of this manual in whatever form, whether by printed or electronic means, is forbidden. While guaranteeing that the information contained in it has been carefully checked, CUSTOM S.p.A. and other entities utilized in the realization of this manual bear no responsibility for how the manual is used. Information regarding any errors found in it or suggestions on how it could be improved are appreciated. Since products are subject to continuous check and improvement, CUSTOM S.p.A. reserves the right to make changes in information contained in this manual without prior notification.

The pre-installed multimedia contents are protected from Copyright CUSTOM S.p.A. Other company and product names mentioned herein may be trademarks of their respective companies. Mention of third-party products is for informational purposes only and constitutes neither an endorsement nor a recommendation. CUSTOM S.p.A. assumes no responsibility with regard to the performance or use of these products.

THE IMAGES USED IN THIS MANUAL ARE USED AS AN ILLUSTRATIVE EXAMPLES. THEY COULDN'T REPRODUCE THE DESCRIBED MODEL FAITHFULLY.

UNLESS OTHERWISE SPECIFIED, THE INFORMATION GIVEN IN THIS MANUAL ARE REFERRED TO ALL MODELS IN PRODUCTION AT THE ISSUE DATE OF THIS DOCUMENT.

GENERAL INSTRUCTIONS

CUSTOM S.p.A. declines all responsibility for accidents or damage to persons or property occurring as a result of tampering, structural or functional modifications, unsuitable or incorrect installations, environments not in keeping with the equipment's protection degree or with the required temperature and humidity conditions, failure to carry out maintenance and periodical inspections and poor repair work.

GENERAL SAFETY INFORMATION

Your attention is drawn to the following actions that could compromise the characteristics of the product:

- Read and retain the instructions which follow.
- Follow all indications and instructions given on the device.
- Make sure that the surface on which the device rests is stable. If it is not, the device could fall, seriously damaging it.
- Make sure that the device rests on a hard (non-padded) surface and that there is sufficient ventilation.
- Do not fix indissolubly the device or its accessories such as power supplies unless specifically provided in this manual.
- When positioning the device, make sure cables do not get damaged.
- [Only OEM equipment] The equipment must be installed in a kiosk or system that provides mechanical, electrical and fire protection.
- The mains power supply must comply with the rules in force in the Country where you intend to install the equipment.
- Make sure that there is an easily-accessible outlet with a capacity of no less than 10A closely to where the device is to be installed.
- Make sure the power cable provided with the appliance, or that you intend to use is suitable with the wall socket available in the system.
- Make sure the electrical system that supplies power to the device is equipped with a ground wire and is protected by a differential switch.
- Before any type of work is done on the machine, disconnect the power supply.
- Use the type of electrical power supply indicated on the device label.
- These devices are intended to be powered by a separately certified power module having an SELV, non-energy hazardous output. (IEC60950-1 second edition).
- [Only POS equipment] The energy to the equipment must be provided by power supply approved by CUSTOM S.p.A.
- Take care the operating temperature range of equipment and its ancillary components.
- Do not block the ventilation openings.
- Do not insert objects inside the device as this could cause short-circuiting or damage components that could jeopardize printer functioning.
- Do not carry out repairs on the device yourself, except for the normal maintenance operations given in the user manual.
- The equipment must be accessible on these components only to trained, authorized personnel.
- Periodically perform scheduled maintenance on the device to avoid dirt build-up that could compromise the correct, safe operation of the unit.
- Do not touch the head heating line with bare hands or metal objects. Do not perform any operation inside the printer immediately after printing because the head and motor tend to become very hot.
- Use consumables approved by CUSTOM S.p.A.



THE CE MARK AFFIXED TO THE PRODUCT CERTIFY THAT THE PRODUCT SATISFIES THE BASIC SAFETY REQUIREMENTS.

The device is in conformity with the essential Electromagnetic Compatibility and Electric Safety requirements laid down in Directives 2014/30/EU and 2014/35/EU inasmuch as it was designed in conformity with the provisions laid down in the following Standards:

- EN 55032 (*Electromagnetic compatibility of multimedia equipment - Emission Requirements*)
- EN 55024/EN55035 (*Electromagnetic compatibility of multimedia equipment - Immunity requirements*)
- EN IEC/EN62368-1 (*Audio/video, information and communication technology equipment*)

The device is in conformity with the essential requirements laid down in Directives 2014/53/EU about devices equipped with intentional radiators. The Declaration of Conformity and other available certifications can be downloaded from the site www.custom4u.it.



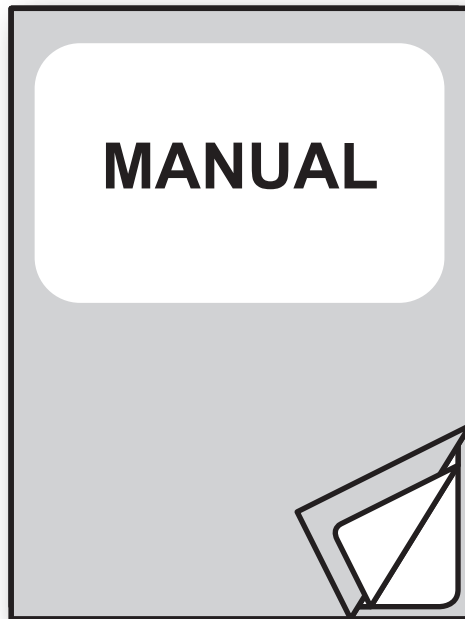
GUIDELINES FOR THE DISPOSAL OF THE PRODUCT

The crossed-out rubbish bin logo means that used electrical and electronic products shall NOT be mixed with unsorted municipal waste. For more detailed information about recycling of this product, refer to the instructions of your country for the disposal of these products.

- Do not dispose of this equipment as miscellaneous solid municipal waste, but arrange to have it collected separately.
- The re-use or correct recycling of the electronic and electrical equipment (EEE) is important in order to protect the environment and the wellbeing of humans.
- In accordance with European Directive WEEE 2012/19/EU, special collection points are available to which to deliver waste electrical and electronic equipment and the equipment can also be handed over to a distributor at the moment of purchasing a new equivalent type.
- The public administration and producers of electrical and electronic equipment are involved in facilitating the processes of the re-use and recovery of waste electrical and electronic equipment through the organisation of collection activities and the use of appropriate planning arrangements.
- Unauthorised disposal of waste electrical and electronic equipment is punishable by law with the appropriate penalties.



The format used for this manual improves use of natural resources reducing the quantity of necessary paper to print this copy.



For details on the commands,
refer to the manual with code **77200000002700**

For further information about the use of “PrinterSet” tool
refer to the manual with code **78200000001800**

TABLE OF CONTENTS

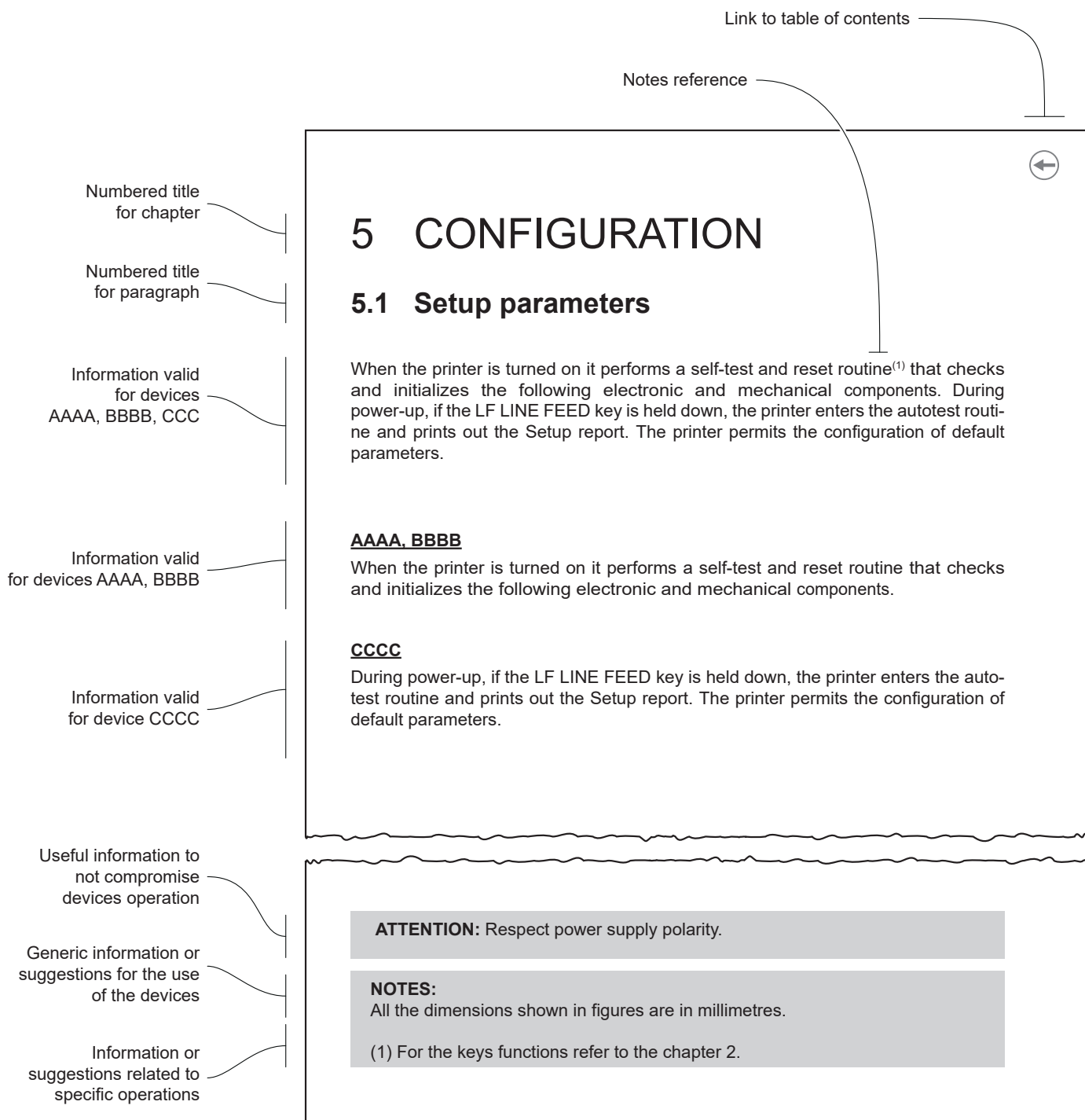
1	INTRODUCTION	9
2	IDENTIFICATION OF THE MODELS	11
3	DESCRIPTION	13
3.1	Box contents	13
3.2	Device components: external views	14
3.3	Device components: internal views	15
3.4	Product label	16
3.5	Key functions: power up	17
3.6	Key functions: standby	19
3.7	Status messages	20
4	INSTALLATION	21
4.1	Wall mounting	21
4.2	Connections	27
4.3	Pinout	28
4.4	Driver and SDK	32
5	OPERATION	33
5.1	Opening the cover	33
5.2	Adjusting the alignment sensor (optional)	34
5.3	Adjusting the paper width (optional)	36
5.4	Switch the device ON/OFF	37
5.5	Loading the paper roll	38
5.6	Loading the Fan-fold	39
6	CONFIGURATION	55
6.1	Configuration by keys	55
6.2	Configuration by software	59
6.3	Configuration by file	61
6.4	Printhead status	63
6.5	Device status	64
6.6	Communication parameters	65
6.7	Operating parameters	68
6.8	Alignment parameters	71
6.9	Hexadecimal dump	73

7	ALIGNMENT	75
7.1	Enable alignment	76
7.2	Calibration	79
7.3	Alignment parameters	82
7.4	Printing area	85
8	MAINTENANCE	87
8.1	Autocutter paper jam	87
8.2	Planning of cleaning operations	89
8.3	Cleaning	90
8.4	Firmware upgrade	95
9	SPECIFICATIONS	97
9.1	Hardware specifications	97
9.2	Character specifications	101
9.3	Device dimensions	102
9.4	Power supply and power cord dimensions	104
9.5	Paper specification	106
9.6	Character sets in CUSTOM/POS emulation	110
10	CONSUMABLES	113
11	ACCESSORIES	115
12	TECHNICAL SERVICE	117



1 INTRODUCTION

This document is divided into sections and chapters. Each chapter can be reached by the index at the beginning of this document. The index can be reached by the button on each page as shown in the diagram below.







2 IDENTIFICATION OF THE MODELS

NOMENCLATURA	DESCRIZIONE
K3 STD	K3 base configuration
K3 DSP	K3 with display
K3 Wi-Fi	K3 with Wi-Fi board
K3 BT	K3 with Bluetooth board
K3 HS	High speed K3
K3 HS LF	High speed K3 Linerfree



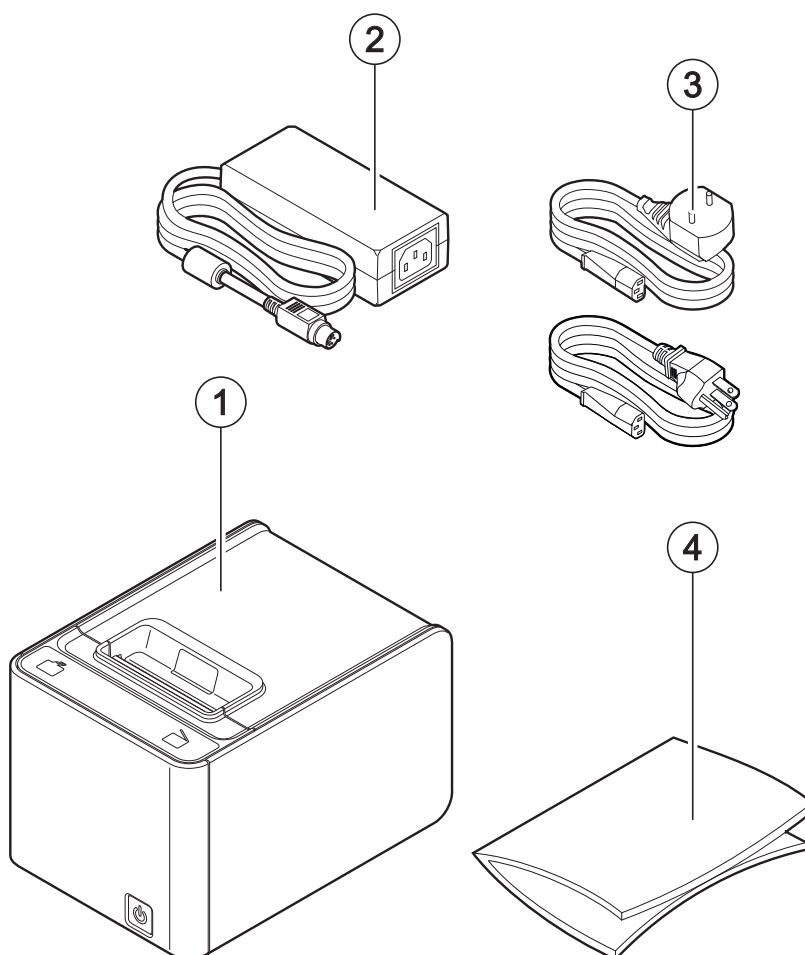
3 DESCRIPTION

3.1 Box contents

Remove all the box contents (see following figures) being careful not to damage the packing material so that it may be re-used if the device is to be transported in the future.

Make sure that all the components illustrated below are present and that there are no signs of damage. If there are, contact Customer Service.

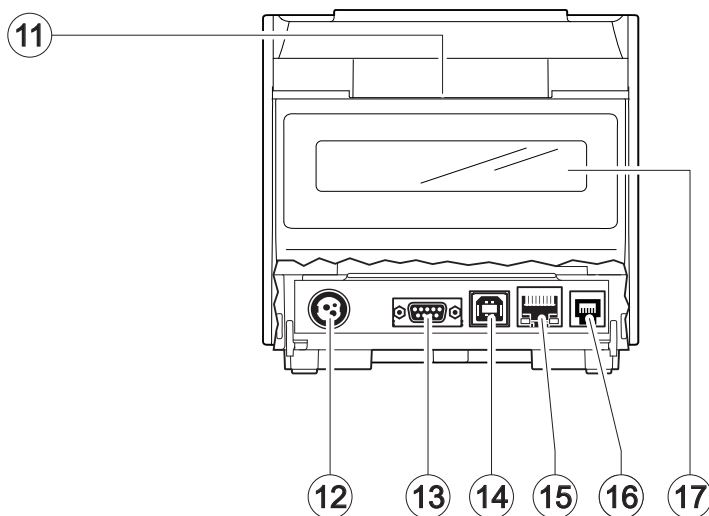
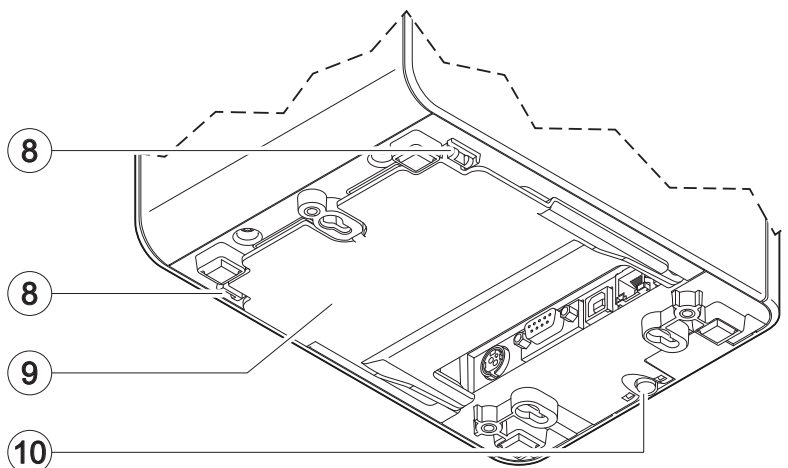
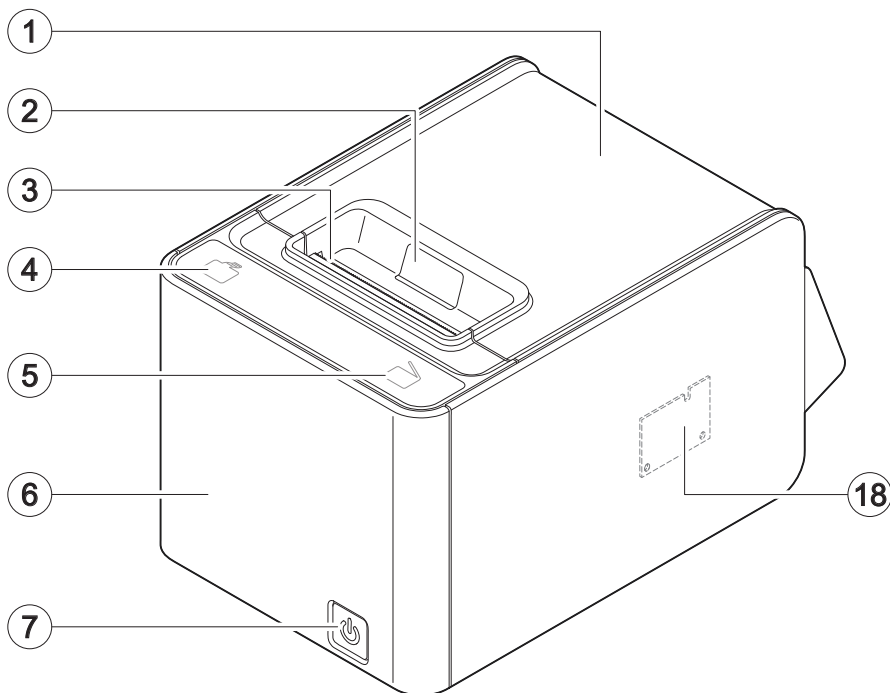
1. Device
2. AC adapter
3. Standard AC power supply cable or
US market AC power supply cable
4. Short guide





3.2 Device components: external views

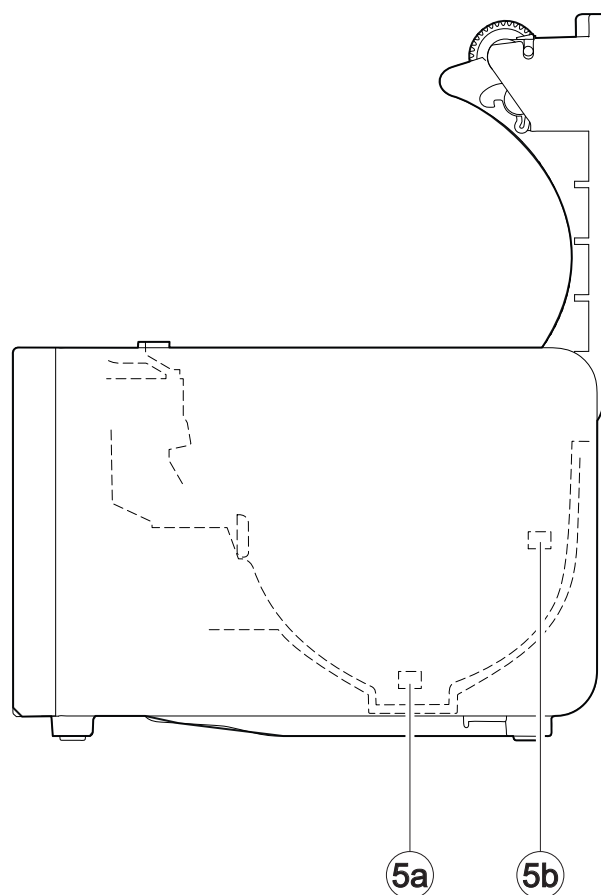
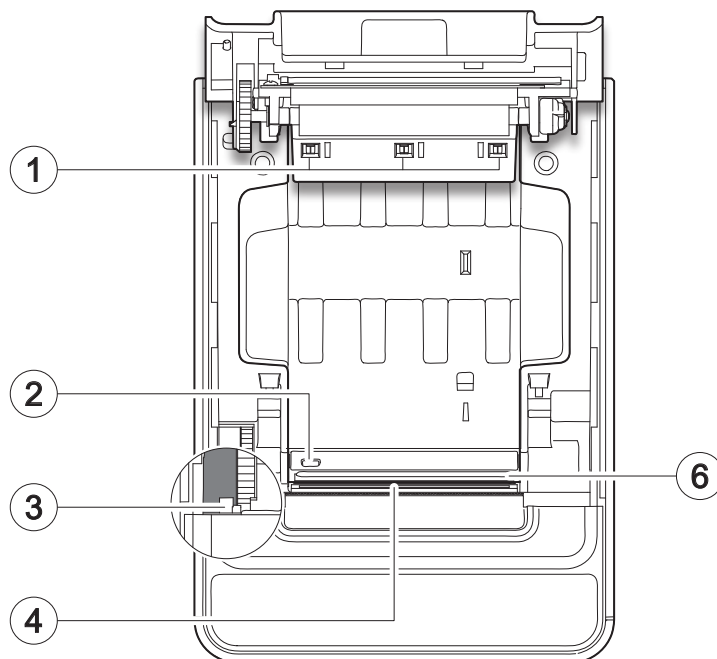
- 1. Paper compartment cover
- 2. Service button for cover opening
- 3. Paper out with serrated blade
- 4. FEED key
- 5. OPEN key
- 6. Front cover
- 7. ON/OFF key
- 8. Opening levers of cables compartment
- 9. Cables compartment cover
- 10. Button for front cover release
- 11. Entrance for fanfold
- 12. Power supply port
- 13. RS232 serial interface port
- 14. USB interface port
- 15. Ethernet interface port
- 16. Cash drawer port
- 17. Customer display (only for K3 DSP)
- 18. Wi-Fi or Bluetooth board (only for K3 Wi-Fi or K3 BT)





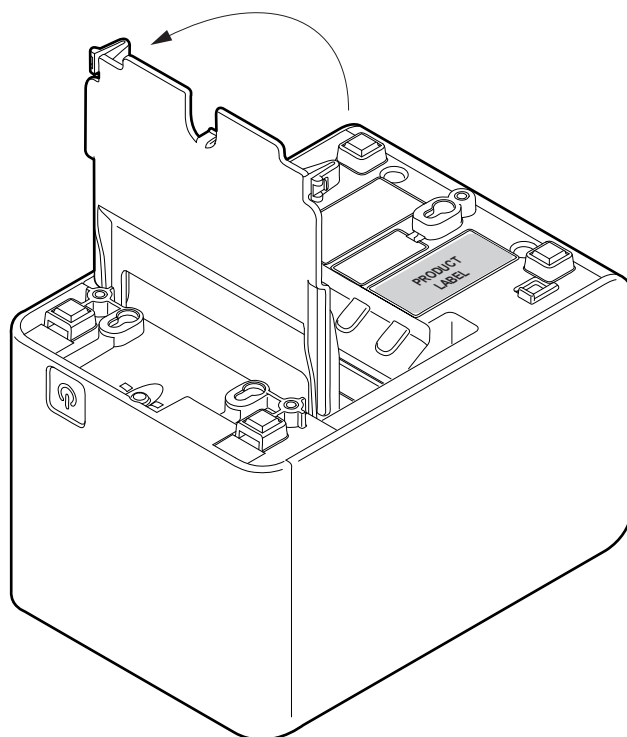
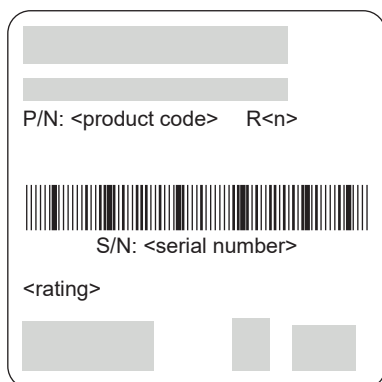
3.3 Device components: internal views

1. System with three sensors for detecting black mark or hole on the non-thermal side of the paper (optional)
2. Sensor for paper and black mark detection
3. Sensor for cover open
4. Mobile sensor for detecting black mark or hole on the thermal side of the paper (optional)
5. Sensor for detecting low paper, adjustable in 2 positions (a = device in the normal position, b = device mounted on the wall)
6. Temperature sensor for the print-head (integrated in the printhead and not visible to the user)



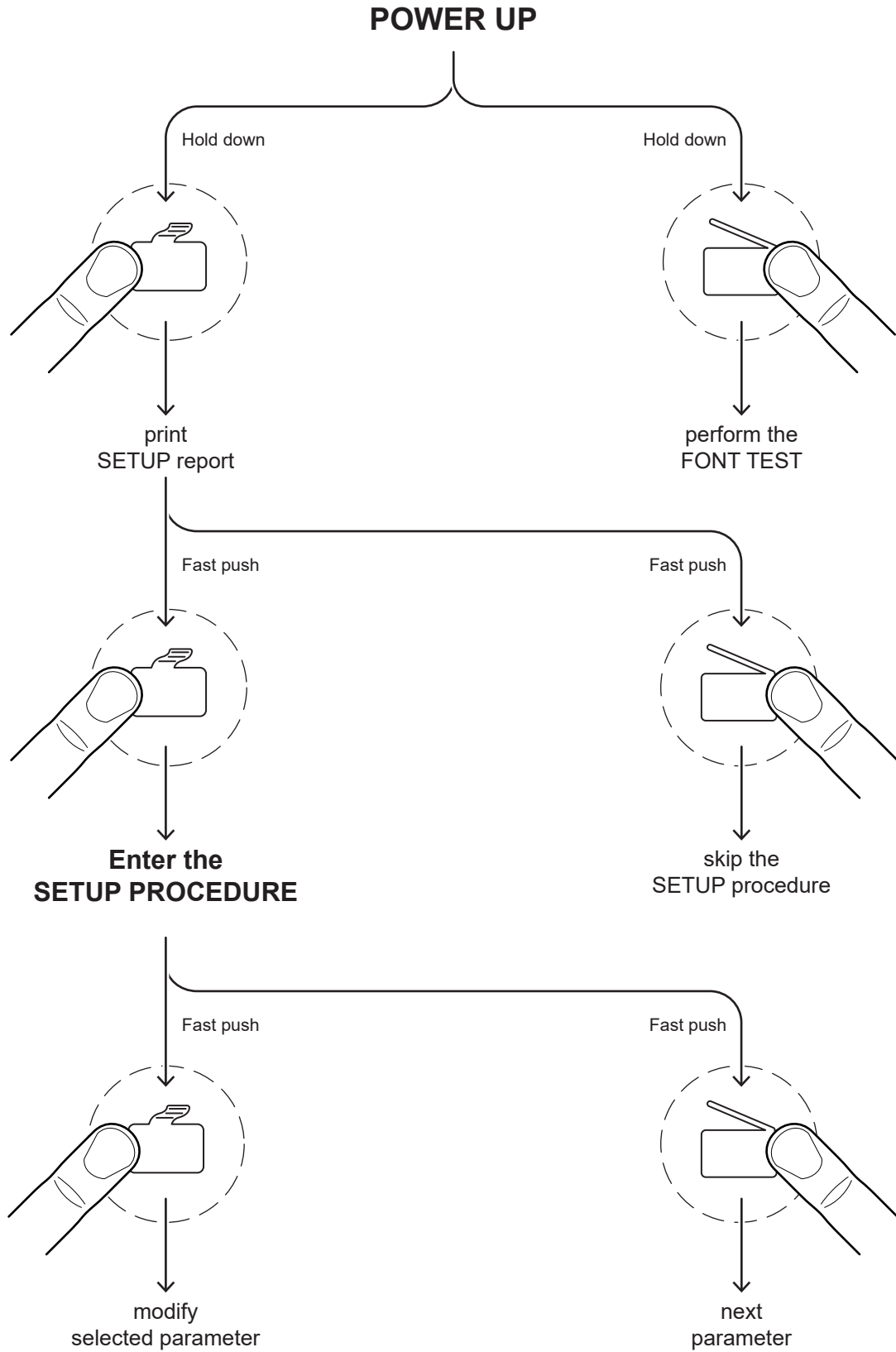
3.4 Product label

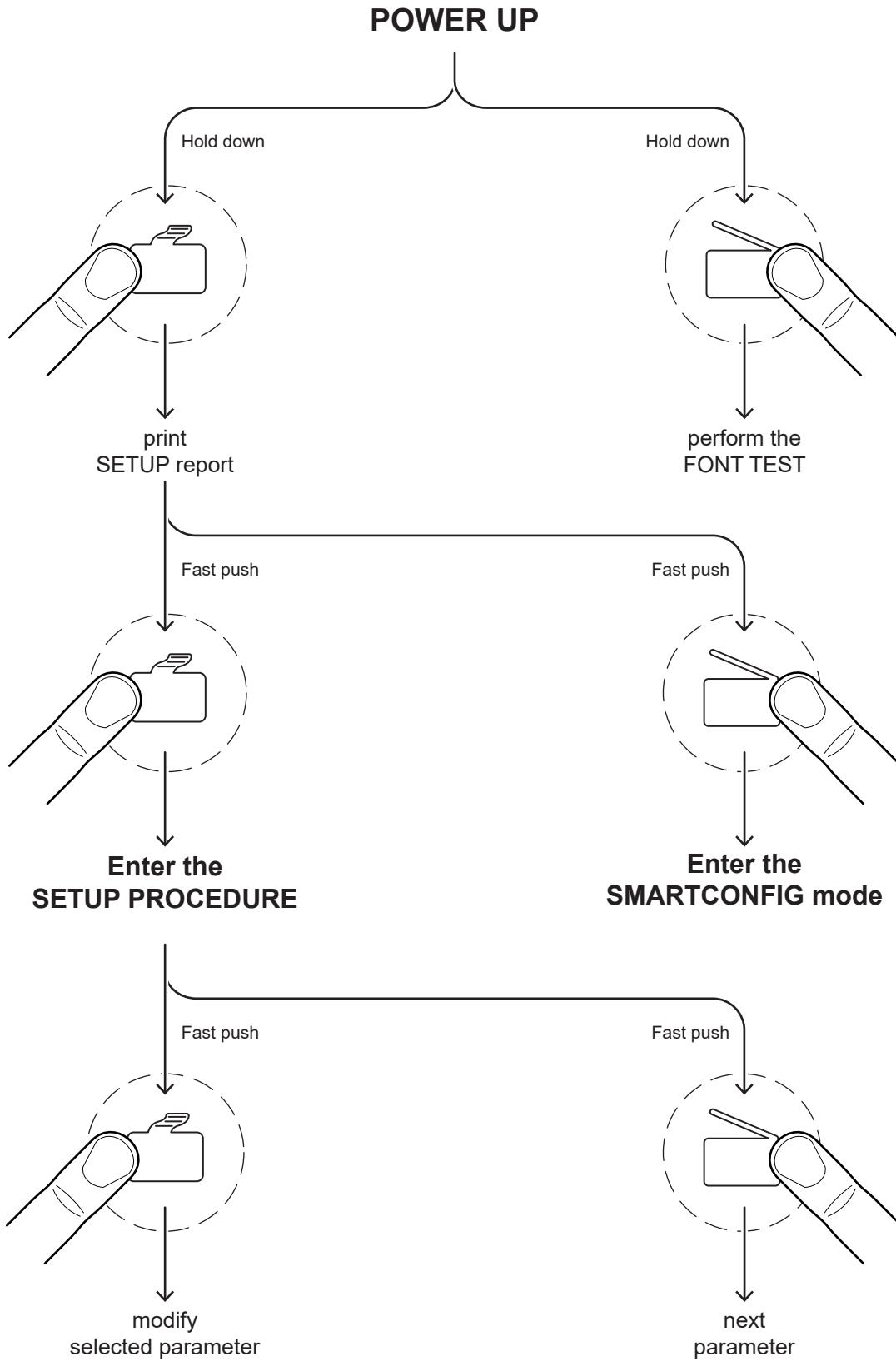
The main data used to identify the machine are shown on the label attached to the bottom of the device. In particular, it shows the electrical data for the connection to a power source. It also shows the product code, the serial number and the hardware revision (R).



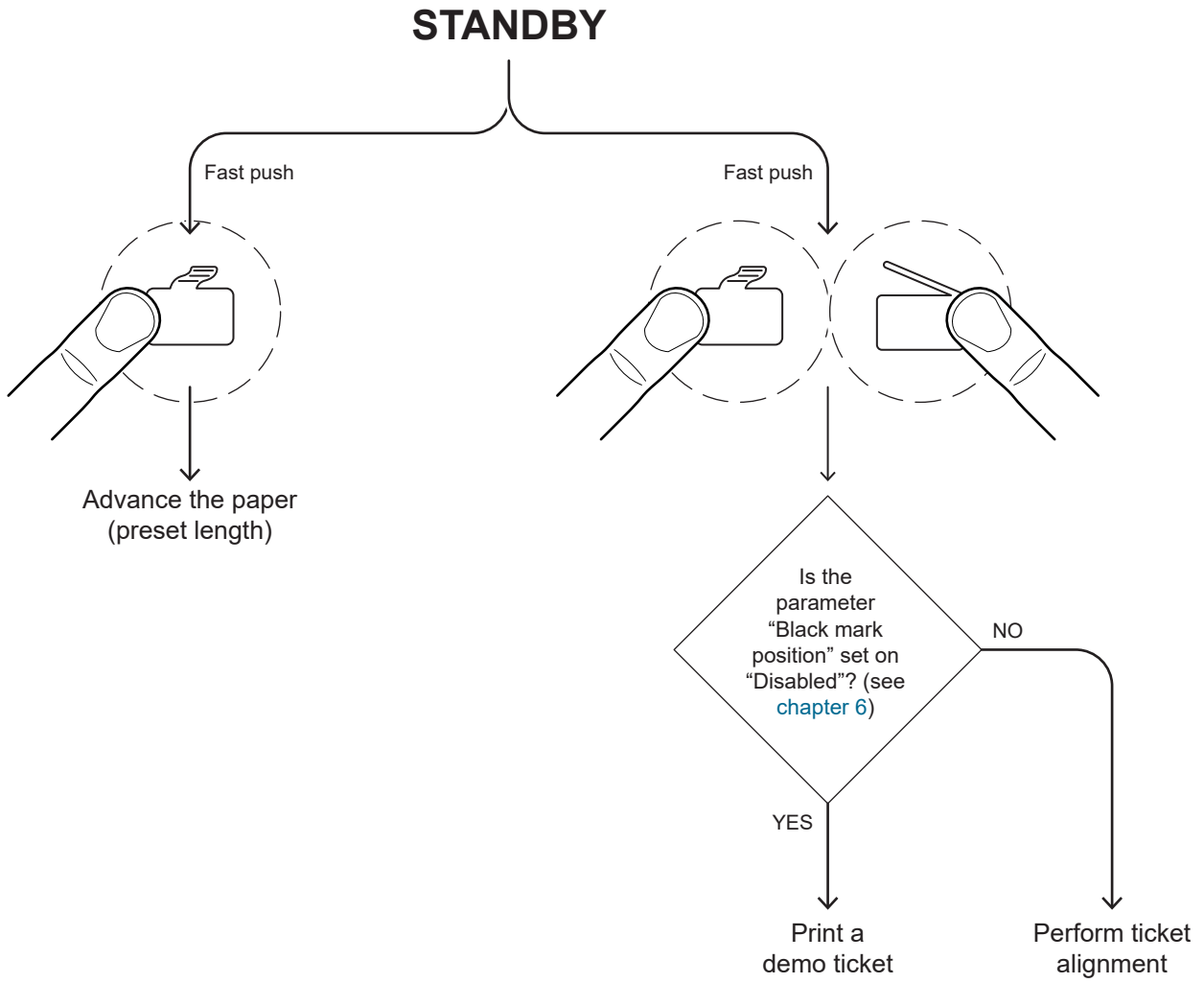
3.5 Key functions: power up

K3 STD, K3 DSP, K3 BT, K3 HS, K3 HS LF





3.6 Key functions: standby





3.7 Status messages

The Status LED indicates hardware status of device. Given in the table below are the various led signals and the corresponding device status.

STATUS LED		DESCRIPTION	
-		OFF	DEVICE OFF
BLUE NOTIFICATION STATUS		ON	DEVICE ON: NO ERROR
BLUE COMMUNICATION STATUS		x 1	RECEIVE DATA
		x 2	RECEPTION ERRORS (PARITY, FRAME ERROR, OVERRUN ERROR)
		x 3	COMMAND NOT RECOGNIZED
		x 4	COMMAND RECEPTION TIME OUT
		x 5	LOW PAPER
PURPLE RECOVERABLE ERROR		x 2	PRINthead OVERHEATED
		x 3	PAPER END
		x 5	POWER SUPPLY VOLTAGE INCORRECT
RED UNRECOVERABLE ERROR		x 6	COVER OPEN
		x 3	RAM ERROR
		x 4	EXTERNAL FLASH ERROR
RED UNRECOVERABLE ERROR		x 5	CUTTER ERROR
WHITE	<i>CUSTOM</i> [®]	ON	ACTIVE CONNECTION
WHITE	<i>CUSTOM</i> [®]	x 1	BLUETOOTH INITIALIZATION
WHITE / BLUE	<i>CUSTOM</i> [®]		Wi-Fi INITIALIZATION

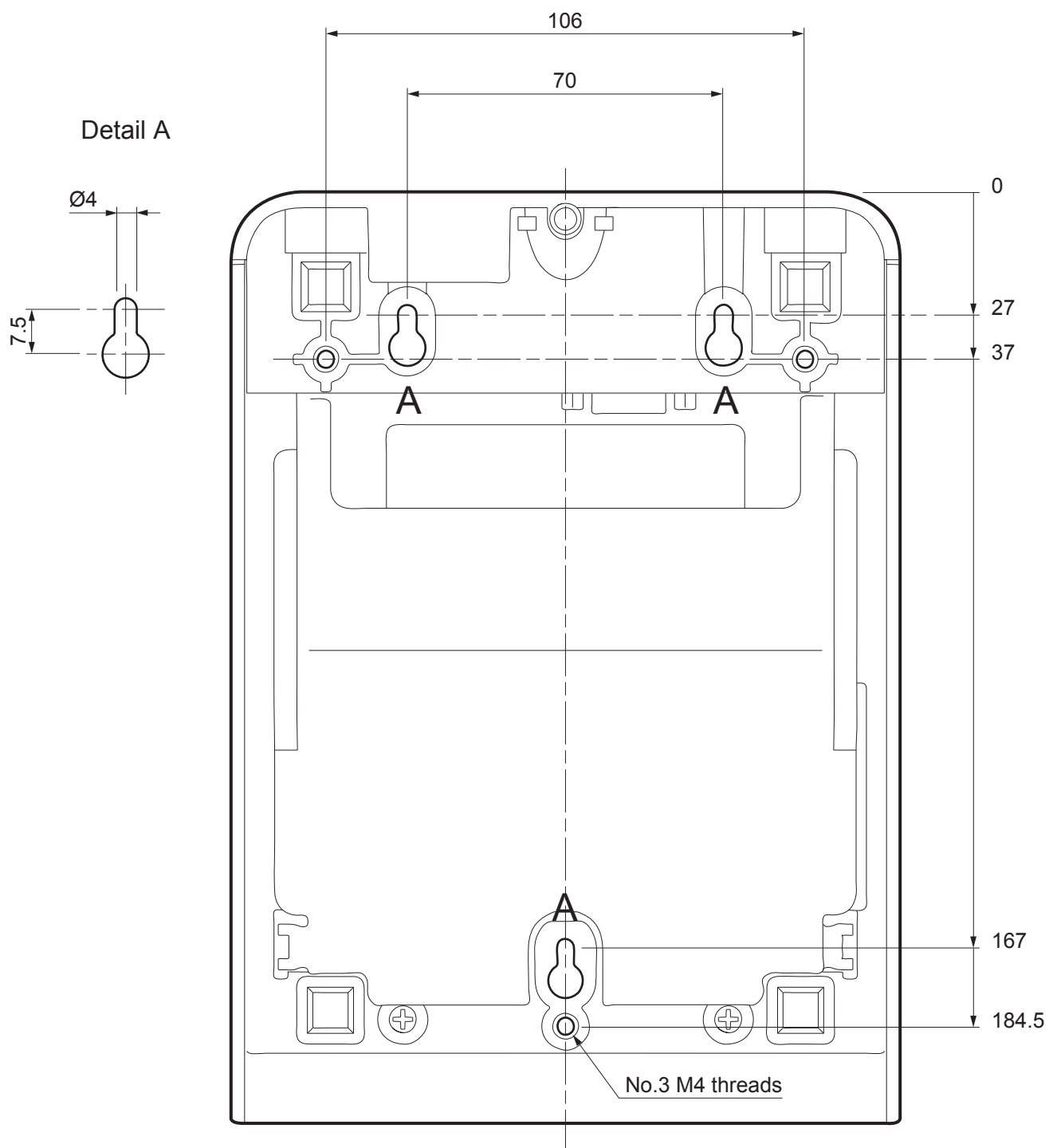
4 INSTALLATION

4.1 Wall mounting

The device is equipped with a double vertical mounting capability of the machine:

- Setup 1: Three threaded holes for mounting with M4 screws
- Setup 2: Three slots for mounting on pins.

Both arrangements are placed at the bottom of the machine (see figure below). The dimensions shown in the image are expressed in millimetres.





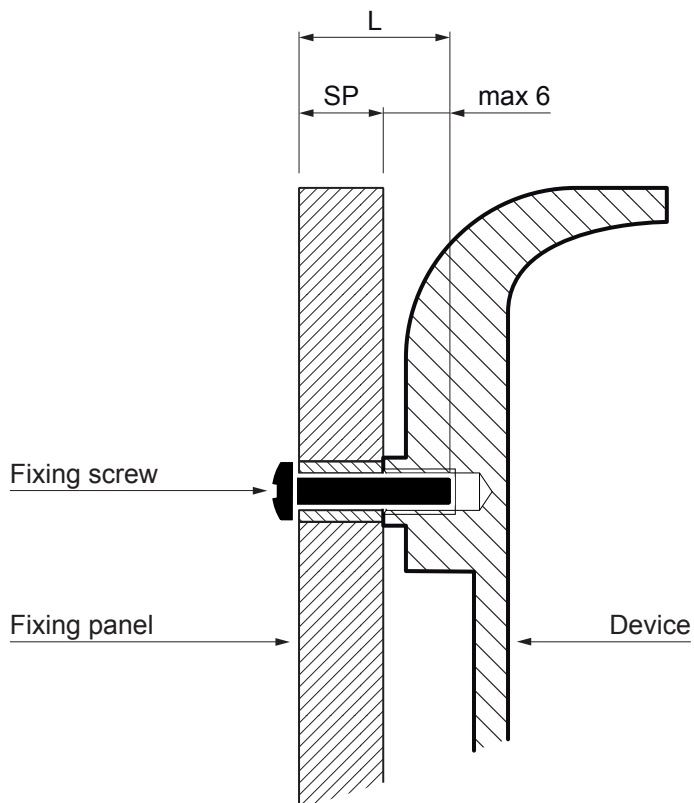
Guidelines for wall mounting with M4 screws

Drill holes in the fixing panel using the measurements shown on the previous page. Pay attention to the length of the screws used.

The screw length (L) will be calculated according to the thickness of the panel (SP) on which the device is fixed, as follows

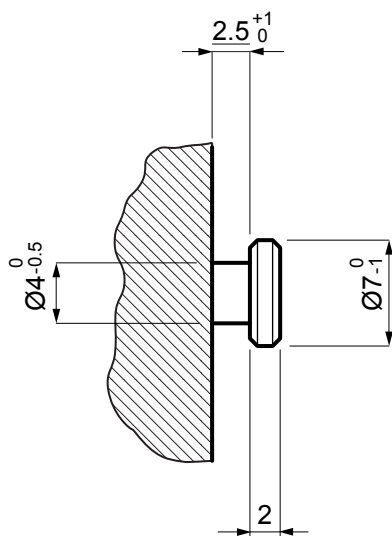
$$L \leq 6 \text{ mm} + SP$$

For example, if panel thickness is 10 mm (SP = 10 mm), the max screw length will be 16 mm.



Guidelines for wall mounting on pins

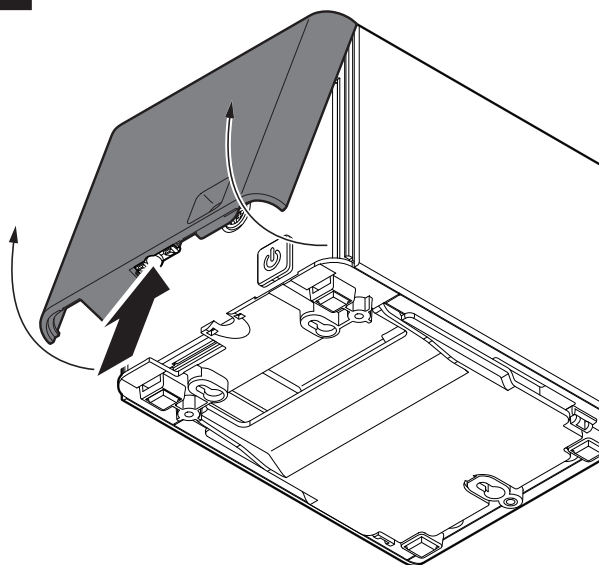
Attach three pins to the wall using the measurements shown on the previous page. The dimensions of the fixing pins are provided below. The dimensions shown in the image are in millimetres.





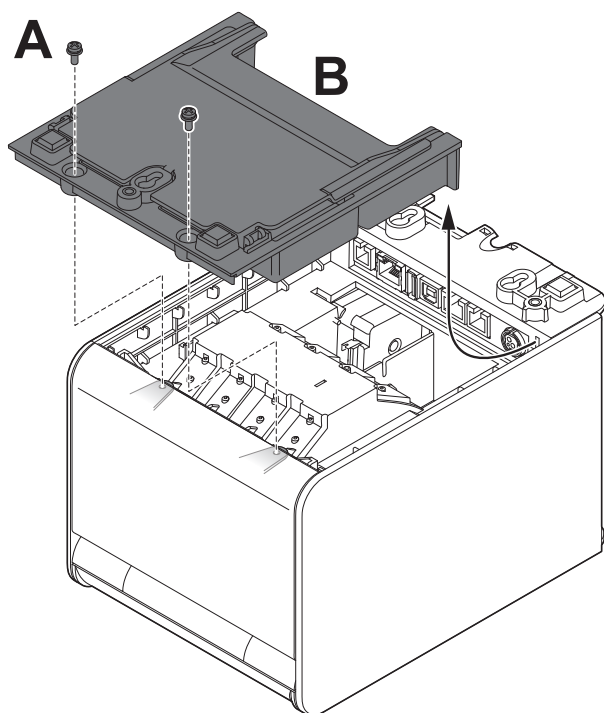
Mounting

1



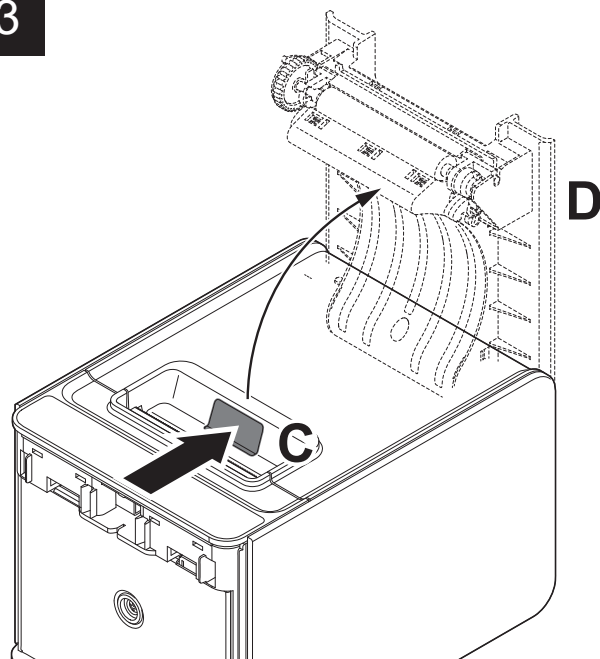
Press the release button and remove the front cover.

2



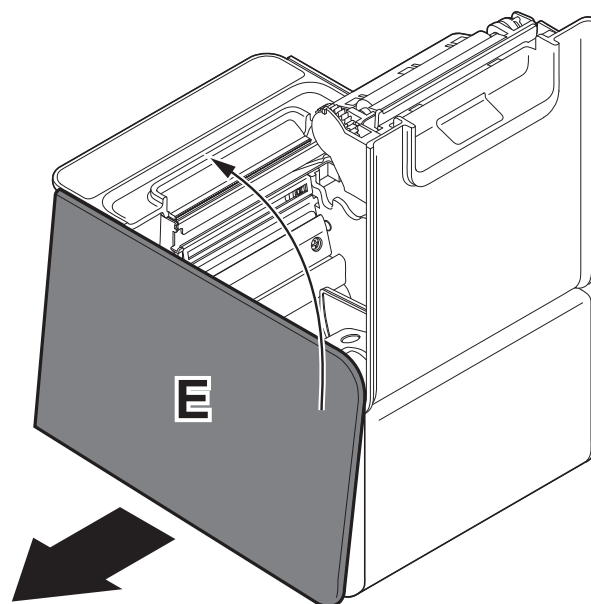
Turn the device upside down and unscrew the 2 fixing screws A. Remove the base B of the device by pulling it out from the seats in the direction shown.

3



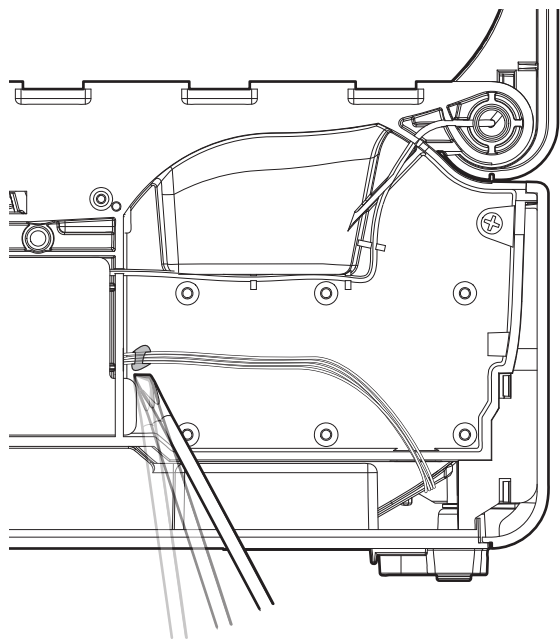
Press the service button C to open the device cover D.

4



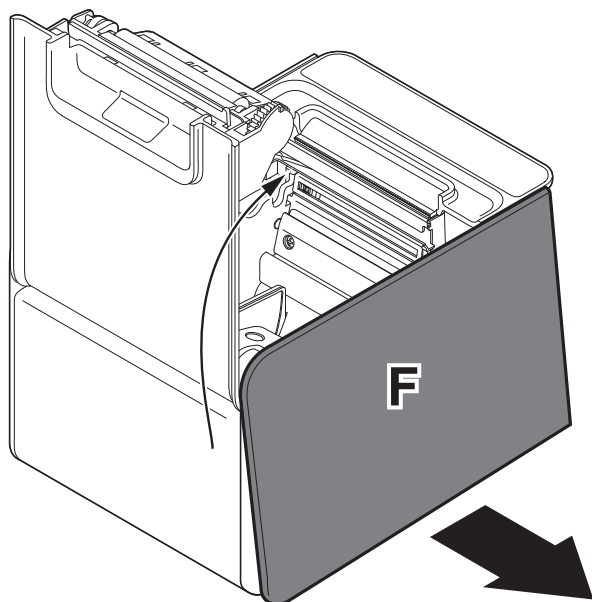
Pull the lower part of the side E. Rotate the rear to release it from its seats on the frame.

5



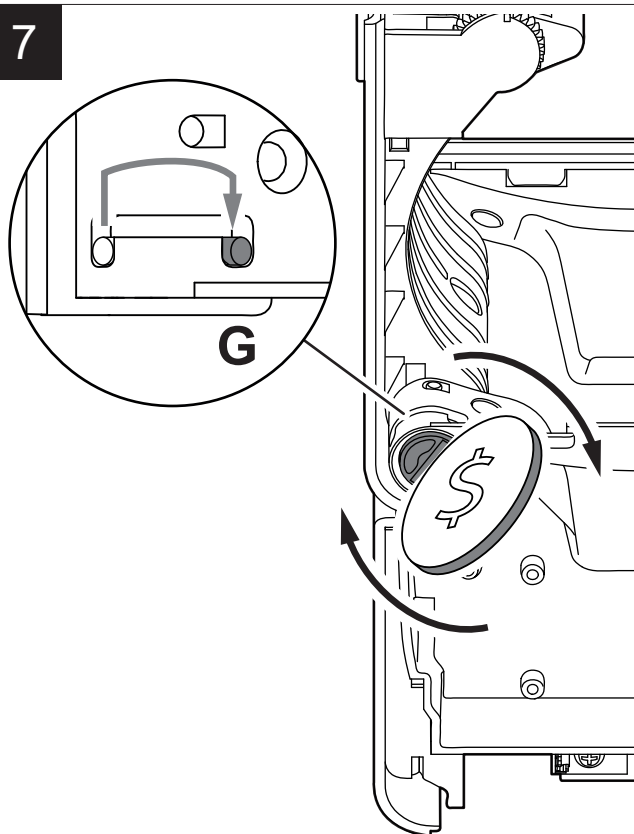
Remove the glue from the low paper sensor cable with a screwdriver, being careful not to damage the cable.

6



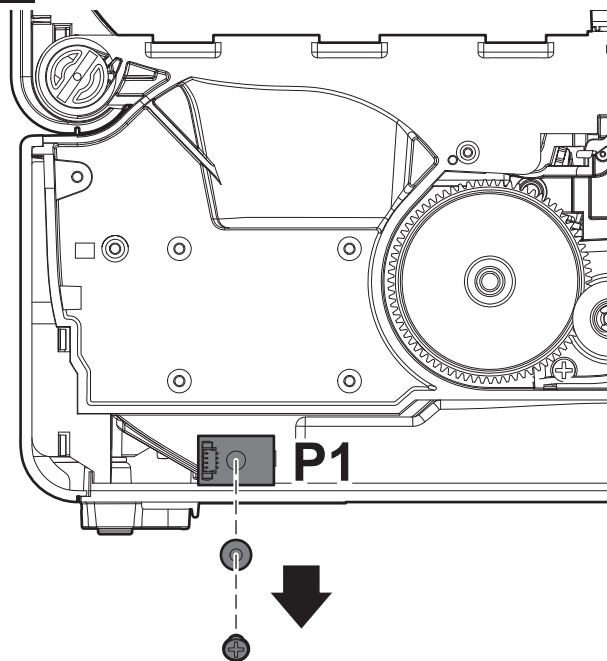
Pull the lower part of the side F. Rotate the rear to release it from its seats on the frame.

7



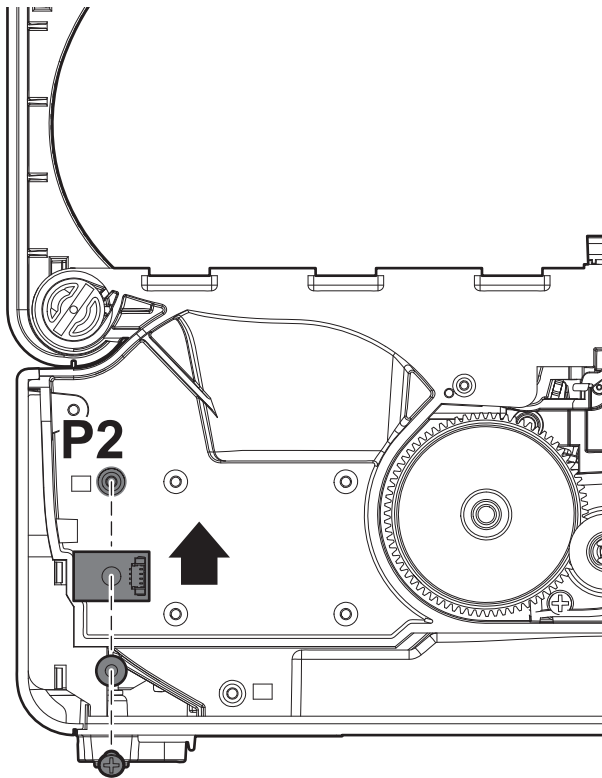
Rotate the selector that adjusts the load on the return spring for the cover in position G by using a coin.

8



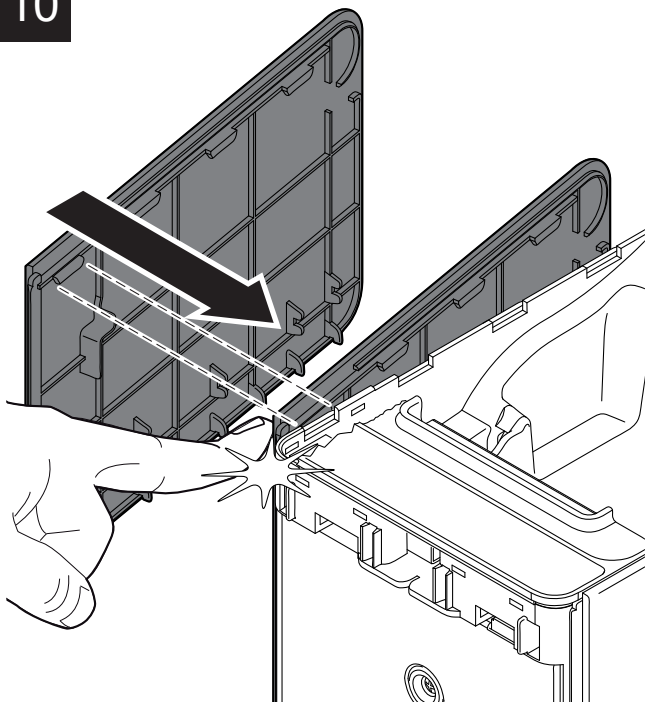
Unscrew the fixing screw and remove the low paper sensor from the mounting position P1.

9



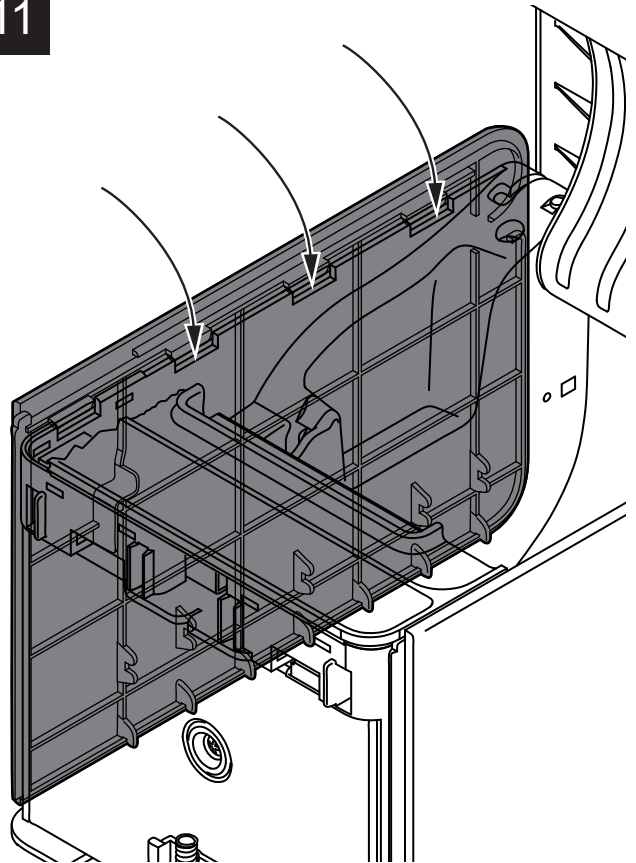
Place the low paper sensor in the mounting position P2 and screw the fixing screw.

10



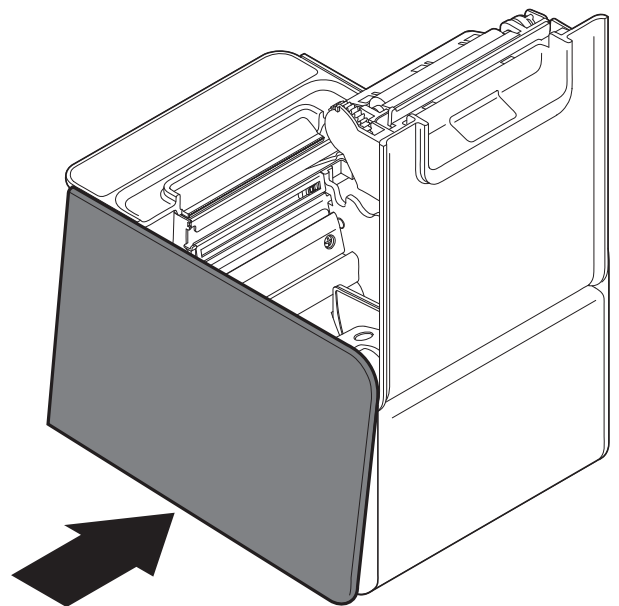
Tilt the side F and insert the pin into its seat on the frame. Press in the specified position to lock the pin.

11



Turn down the side F to lock the other pins in its seats on the frame.

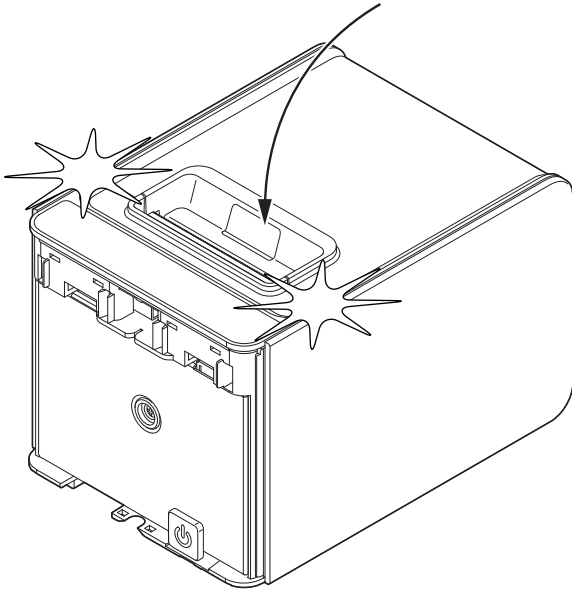
12



Lock the side E in the same way.

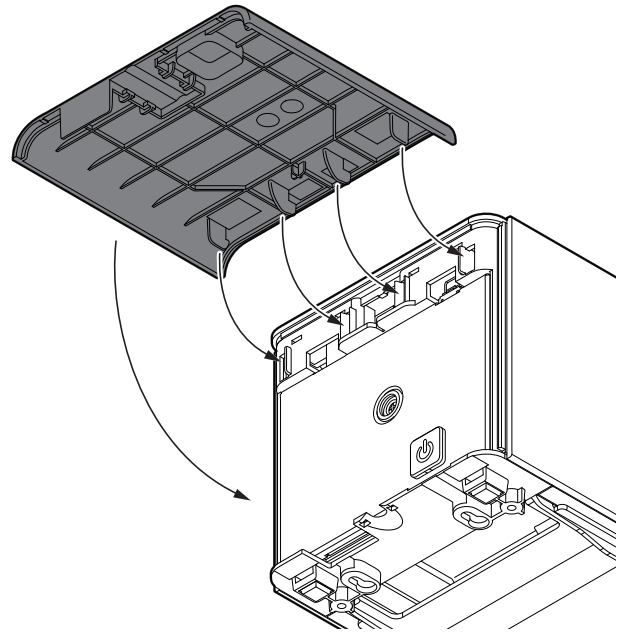


13



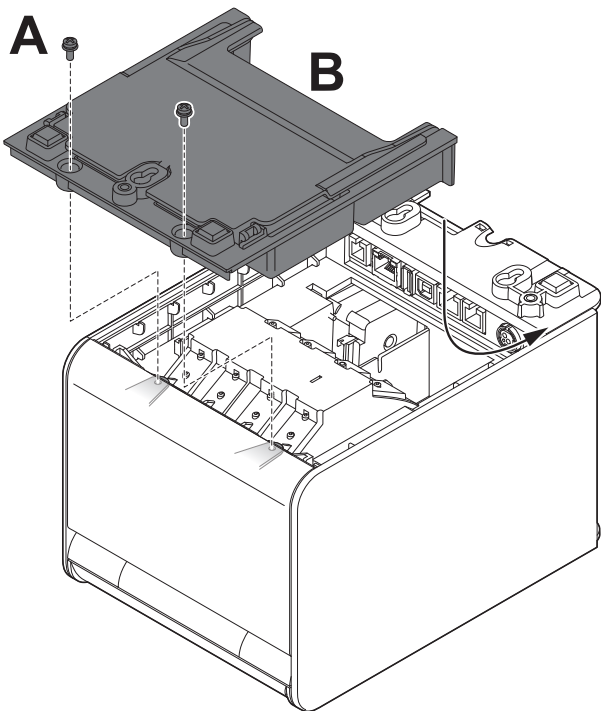
Close the device cover.

15



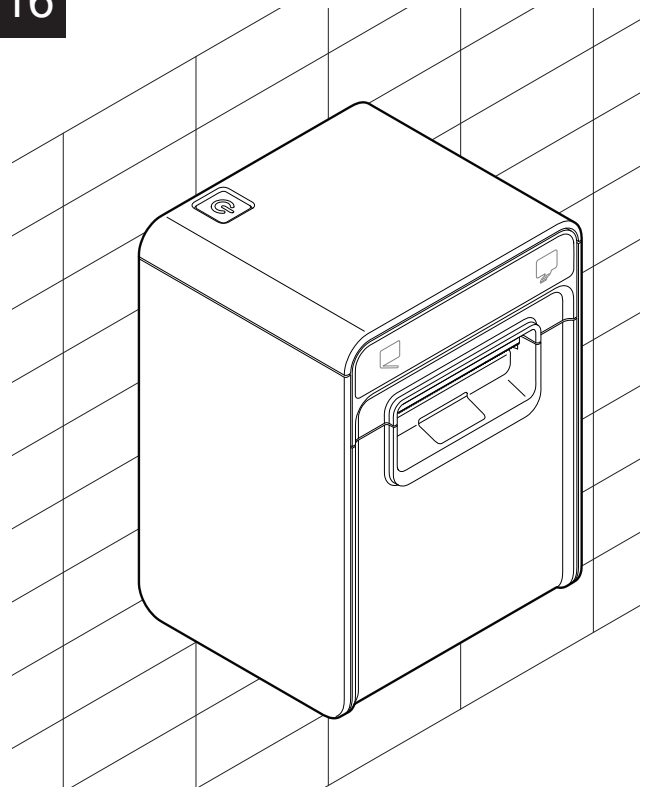
Reassemble the front cover.

14



Turn the device upside down and insert the base B of the device into the seats in the direction shown. Screw the 2 fixing screws A.

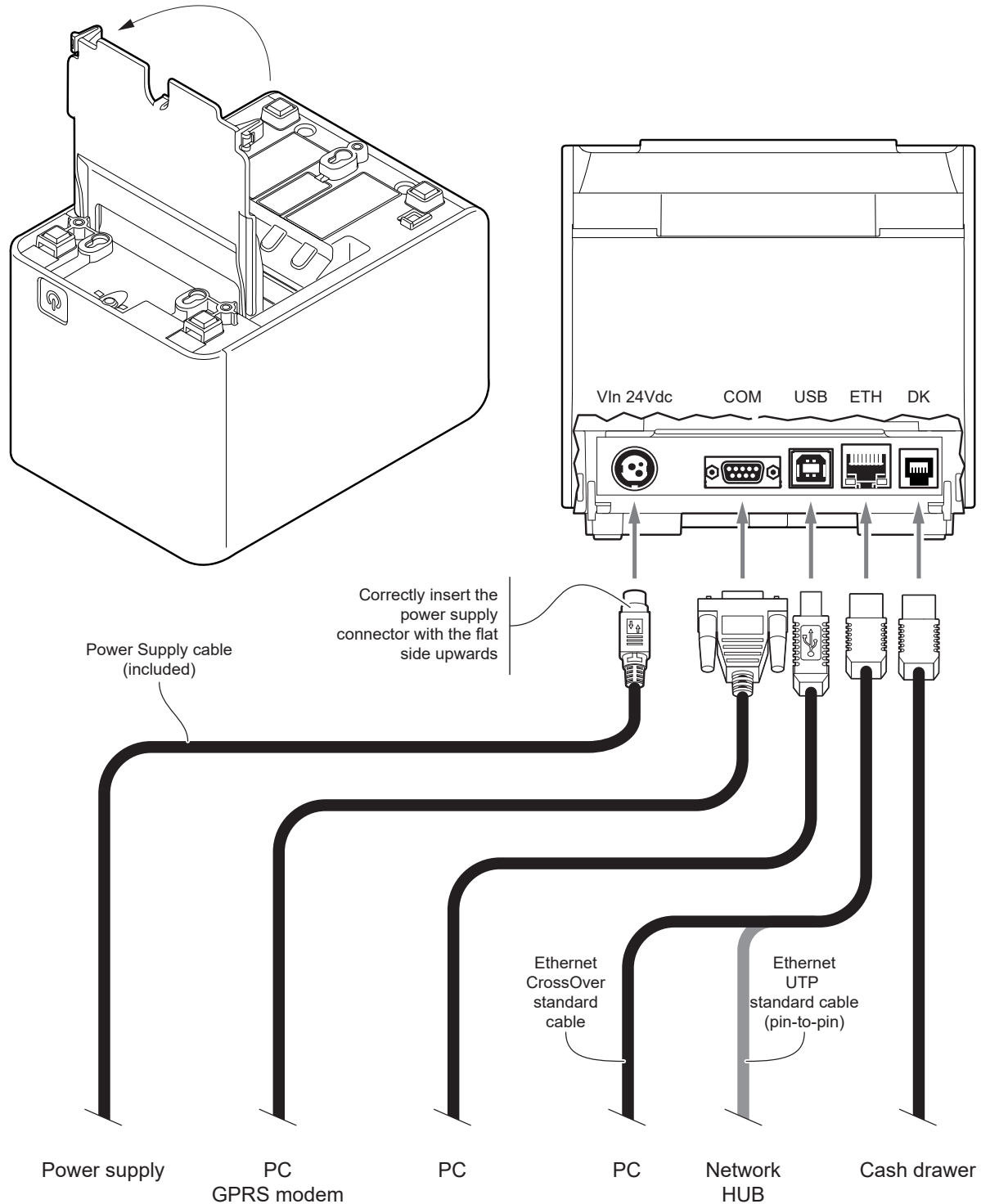
16



Fix the device to the wall.

4.2 Connections

The following figure shows the possible connections for the device. When the RS232 and USB communication cables are connected to the device at the same time, communication takes place via the USB port.



ATTENTION: In some using conditions, we recommend the installation of a ferrite core on the power supply cable.



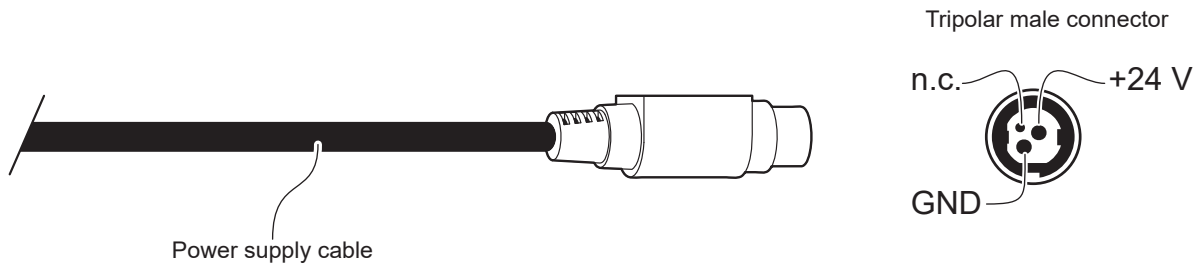
4.3 Pinout



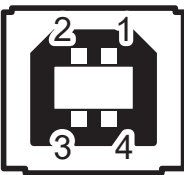
POWER SUPPLY
Tripolar female connector

J1	1	GND
	2	+24 Vdc
	3	GND
	4	Frame GND

The following figure shows the connector pinout of power supply cable:

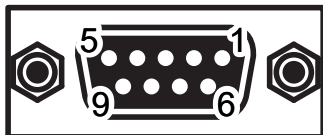


ATTENTION:
Respect power supply polarity.



USB INTERFACE
Female USB type B connector

J4	1	USB0-VBUS (in)
	2	D0 - (in/out)
	3	D0 + (in/out)
	4	GND
	SH1	SHIELD
	SH2	SHIELD



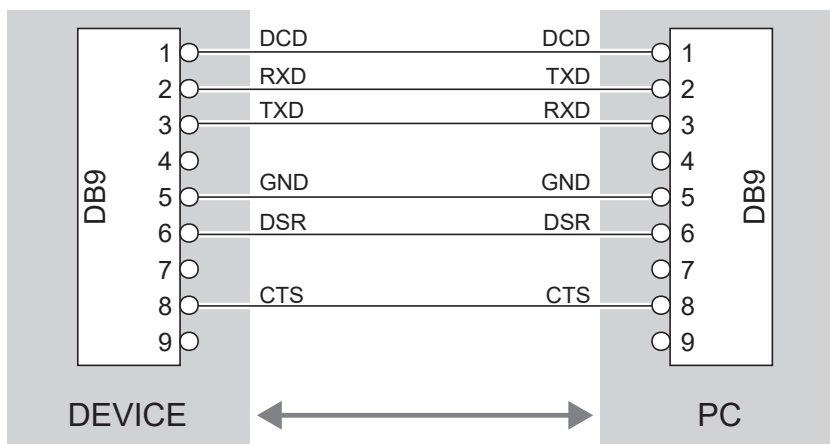
RS232 SERIAL INTERFACE

Female DB9 connector

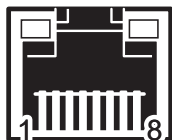
J3	1	DTR	
	2	TX	During transmission, takes the values -VRS232 and + VRS232 depending on data
	3	RX	During reception, takes the values -VRS232 and +VRS232 depending on data
	4	DSR	
	5	GND	
	6	DTR	When +VRS232, device is power on
	7	CTS	
	8	RTS	When +VRS232, device is ready to receive data
	9	n.c.	

Given the presence of the RS232 standard, logic value “0” corresponds to the voltage value +VRS232 (voltage value between +3Vdc and +15Vdc) and logic value “1” corresponds to the voltage value -VRS232 (voltage value between -3Vdc and -15Vdc).

The following picture shows an example of connection between the device and a personal computer using a 9 pin RS232 serial connector:



When use a serial cable, we recommend the installation of a ferrite core on the power supply cable.



ETHERNET INTERFACE

Female RJ45 connector

J5	1	TPOUT +
	2	TPOUT -
	3	TPIN +
	4	GND
	5	GND
	6	TPIN -
	7	n.c
	8	n.c
	9	+3.3 V
	10	LED-LAN
	11	+3.3 V
	12	LED-LNK
	13	Shield
	14	Shield

The functionality of two LEDs are specified in following tables:

LED	FUNCTION
LED-LNK	Link (yellow color): the LED lights up when a connection is active.
LED-LAN	Rx/Tx: (green color): the LED lights up when occurs a data reception or transmission.

To directly connect the device to a Personal Computer, use a Cross-Over Ethernet cable.

To connect the device to a hub device, use an UTP Ethernet cable (Pin to Pin).

The pinout shown in table represents the input signals to component J5 before the isolation voltage transformer (through-hole pin).

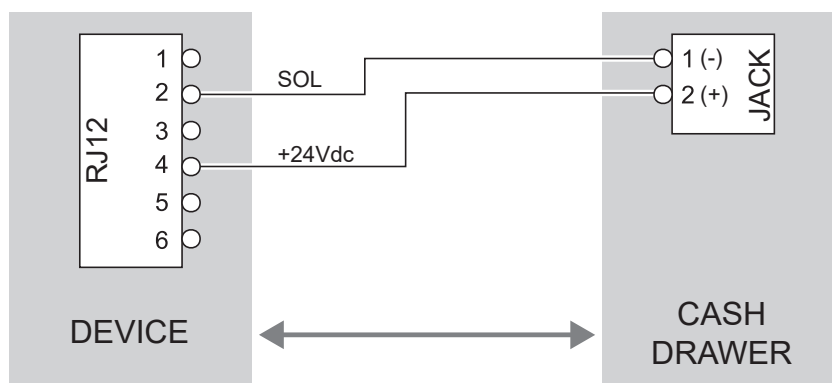


DRAWER CONNECTOR

Female RJ12 connector

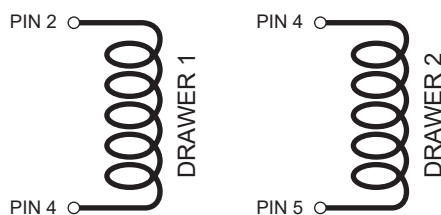
J2	1	GND	
	2	SOL1	(out) Drawer 1 command (open collector)
	3	CASS	(in) Drawer status
	4	+24 Vdc	
	5	SOI2	(out) Drawer 2 command (open collector)
	6	GND	

Use an adapter cable RJ12-Jack to connect the device to a cash drawer.
Refer to the picture below for the connector pin signals



The solenoid of the drawer 1 must be connected from Pin 2 to Pin 4 on the drawer connector.

The solenoid of the drawer 2 must be connected from Pin 4 to Pin 5 on the drawer connector.





4.4 Driver and SDK

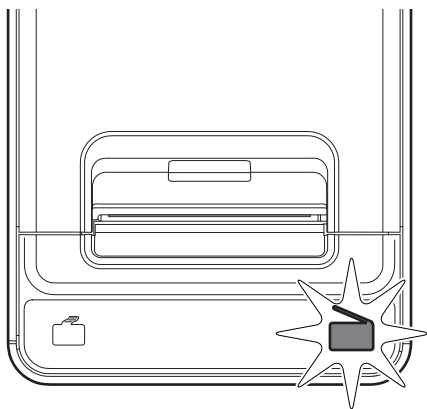
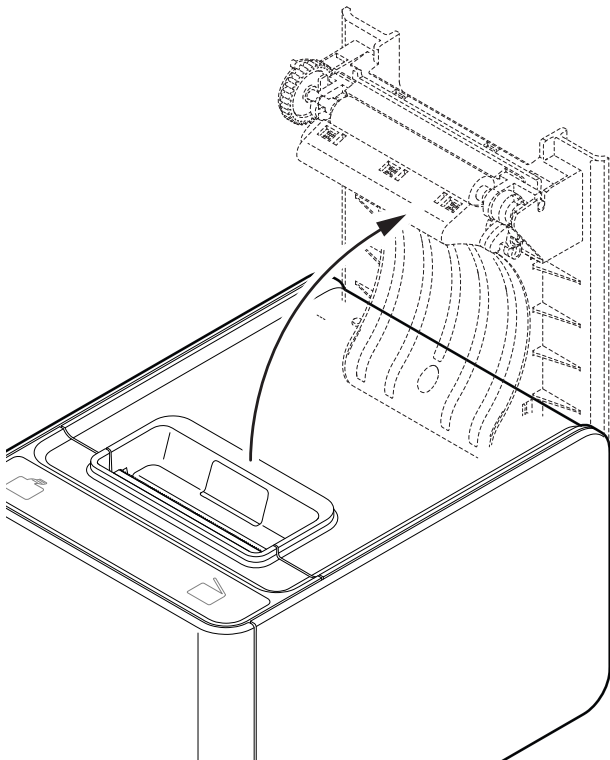
The drivers for the following operating system are available in the website www.custom4u.it:

OPERATING SYSTEM	DESCRIPTION	INSTALLATION PROCEDURE
Windows	Driver for Windows XP	From the START menu, press Run and type-in the path where the SW was saved on your PC, then click OK. Follow the instructions that appear on the screen to install the driver.
	Driver for Windows VISTA (32/64 bit)	
	Driver for Windows 7 (32/64 bit)	
	Driver for Windows 8 (32/64 bit)	
	Driver for Windows 8.1 (32/64 bit)	
	Driver for Windows 10 (32/64 bit)	
	Self-installing driver for Virtual COM (32/64 bit) (see paragraph 6.6)	
Driver for OPOS		
Linux	(32/64 bit)	Follow the instruction get back on the "Readme.txt" file. You can find it in the software package downloaded in advance.
Windows / Linux	Driver for JavaPOS	Extract the zipped folder to the destination path desired.
Android	Library for CustomAndroidAPI	Extract the zipped folder to the destination path desired. Follow the instructions present in the software package that you downloaded on how to install and use the SDK.
iOS	Library for CustomiOSApi	Extract the zipped folder to the destination path desired. Follow the instructions present in the software package that you downloaded on how to install and use the library.
Windows Phone 8	Library for CeWP8Api	Extract the zipped folder to the destination path desired. Follow the instructions present in the software package that you downloaded on how to install and use the library.

5 OPERATION

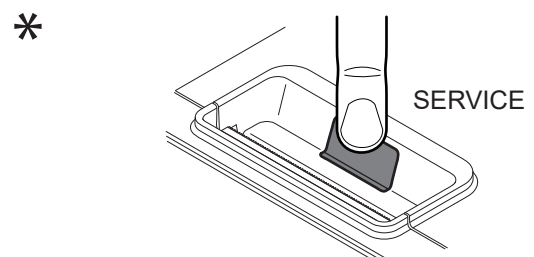
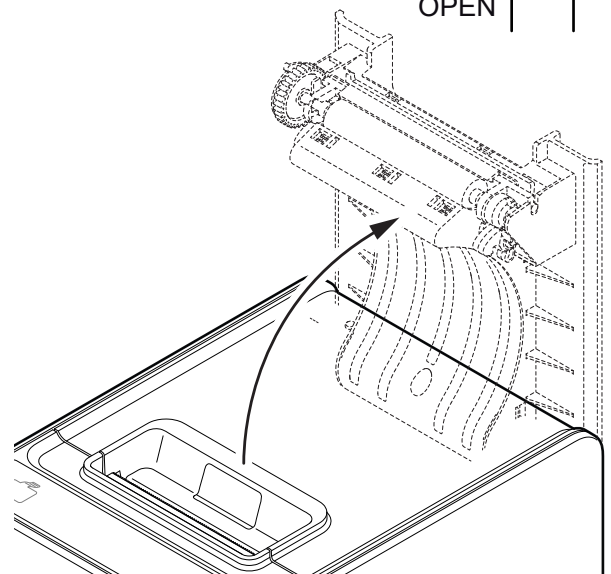
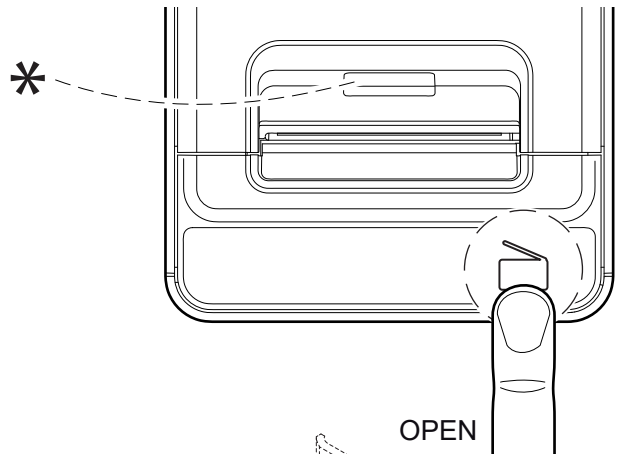
5.1 Opening the cover

Automatic



The cover-opening mechanism is automatically triggered as soon as the roll runs out in order to prompt the user to replace it. The indicator shows the state "Paper end".

Manual

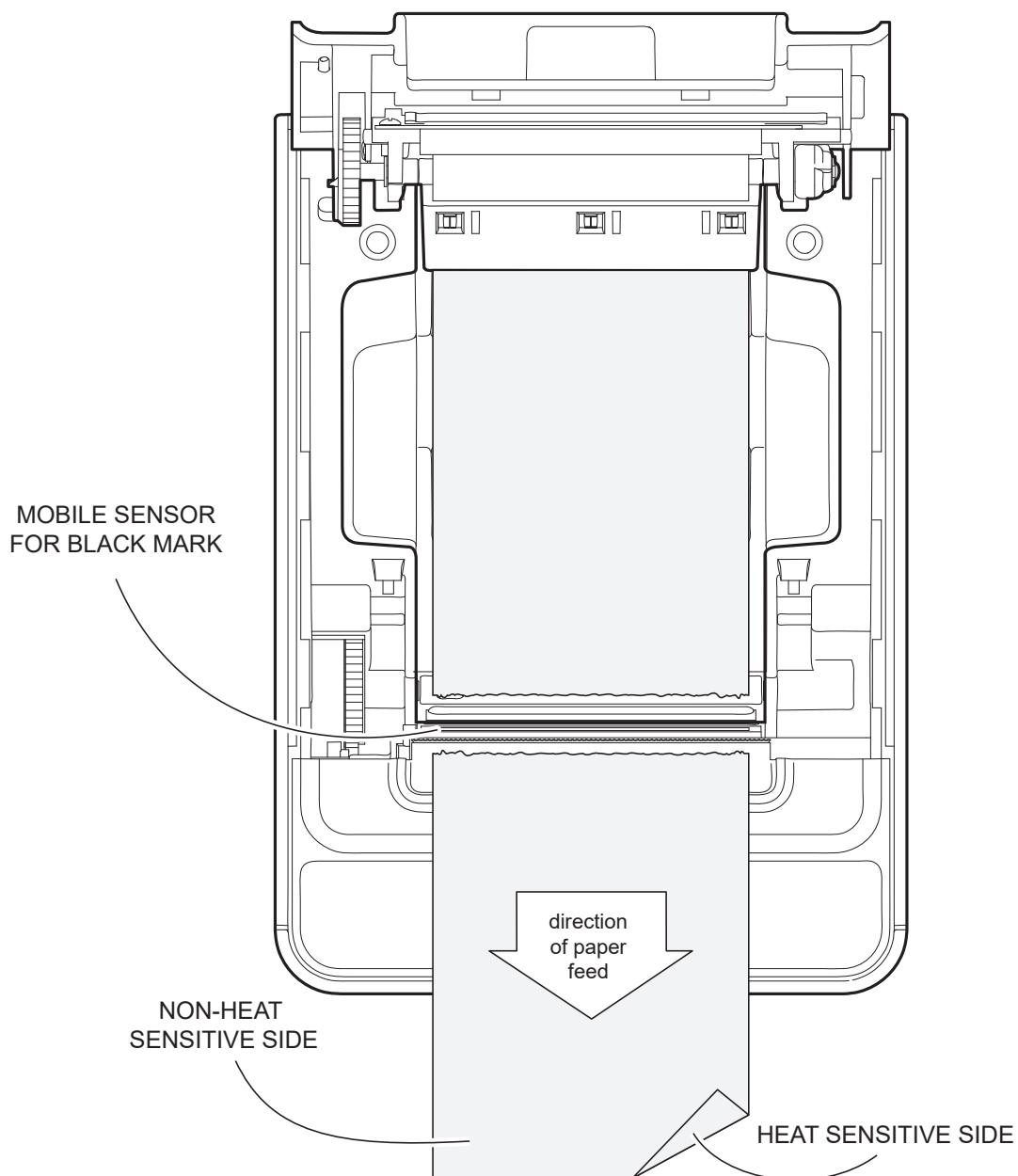


Press and hold the OPEN button to open the device cover. Or in case of anomalies press the service button.

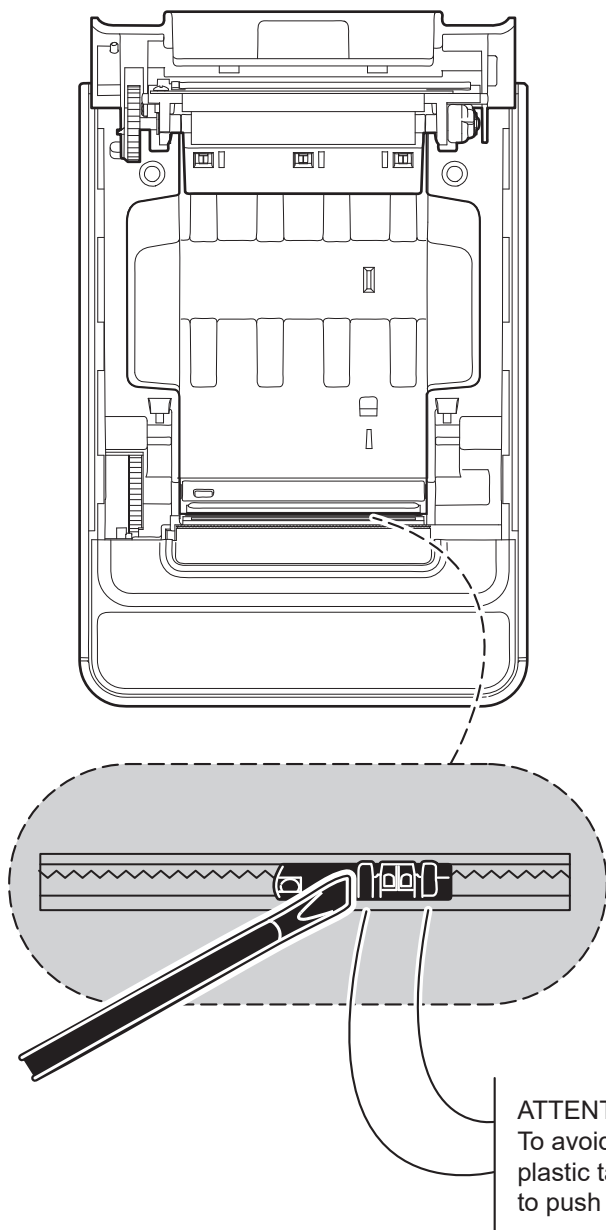
5.2 Adjusting the alignment sensor (optional)

The device can be optionally equipped with a mobile sensor for the detection of the alignment black mark placed on the thermal side of paper as shown below.

The device user will need to manually move this mobile sensor according to the position of the black mark on the paper. To use this sensor for black mark detection, you must set the “Black mark position” setup parameter on the “Bottom” value (see [paragraph 6.8](#)).



To adjust the mobile sensor position according to the black mark position on paper, open the device cover (see [paragraph 5.1](#)) and move the sensor to the desired position using a small screwdriver or a pointed object.

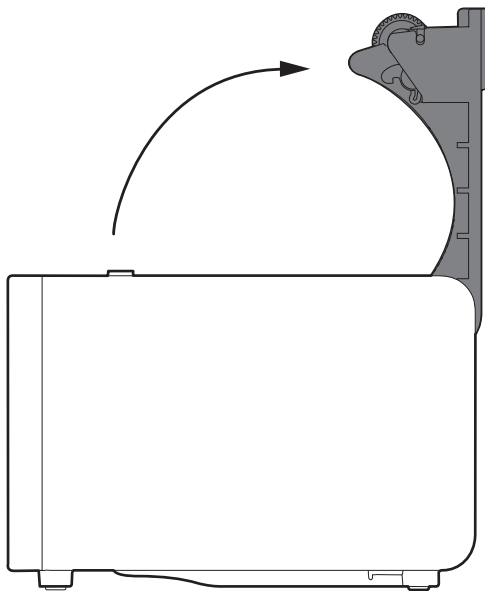




5.3 Adjusting the paper width (optional)

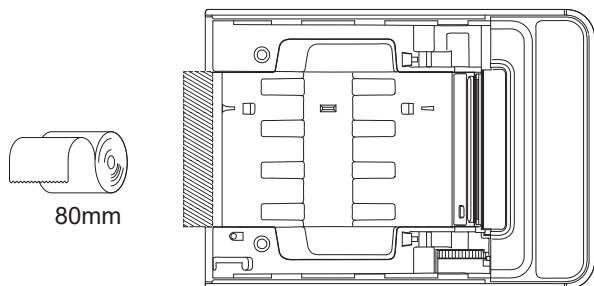
The device can be optionally equipped with an adapter for the regulation of paper width to use. To adjust the paper width, proceed as follows.

1



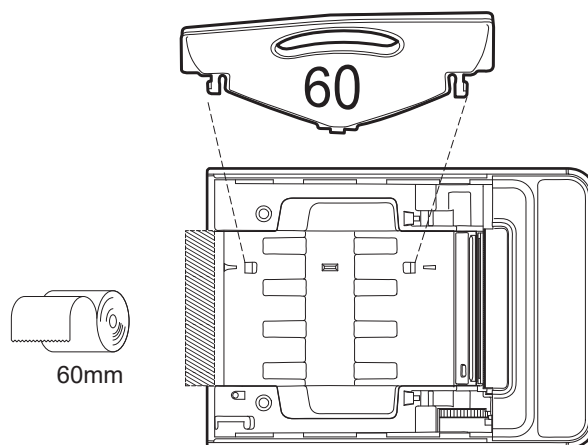
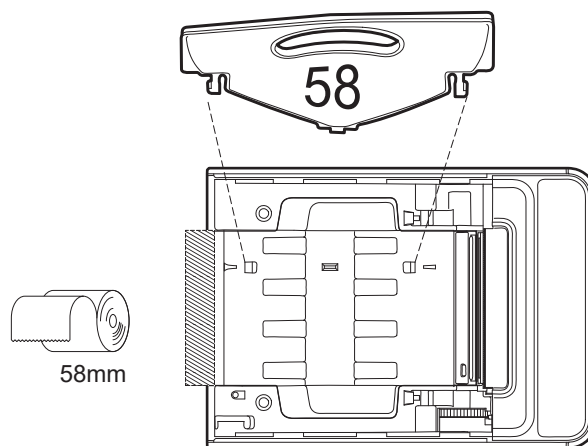
Open the device cover
(see [paragraph 5.1](#)).

2



In standard configuration,
device handles 80 mm paper width.

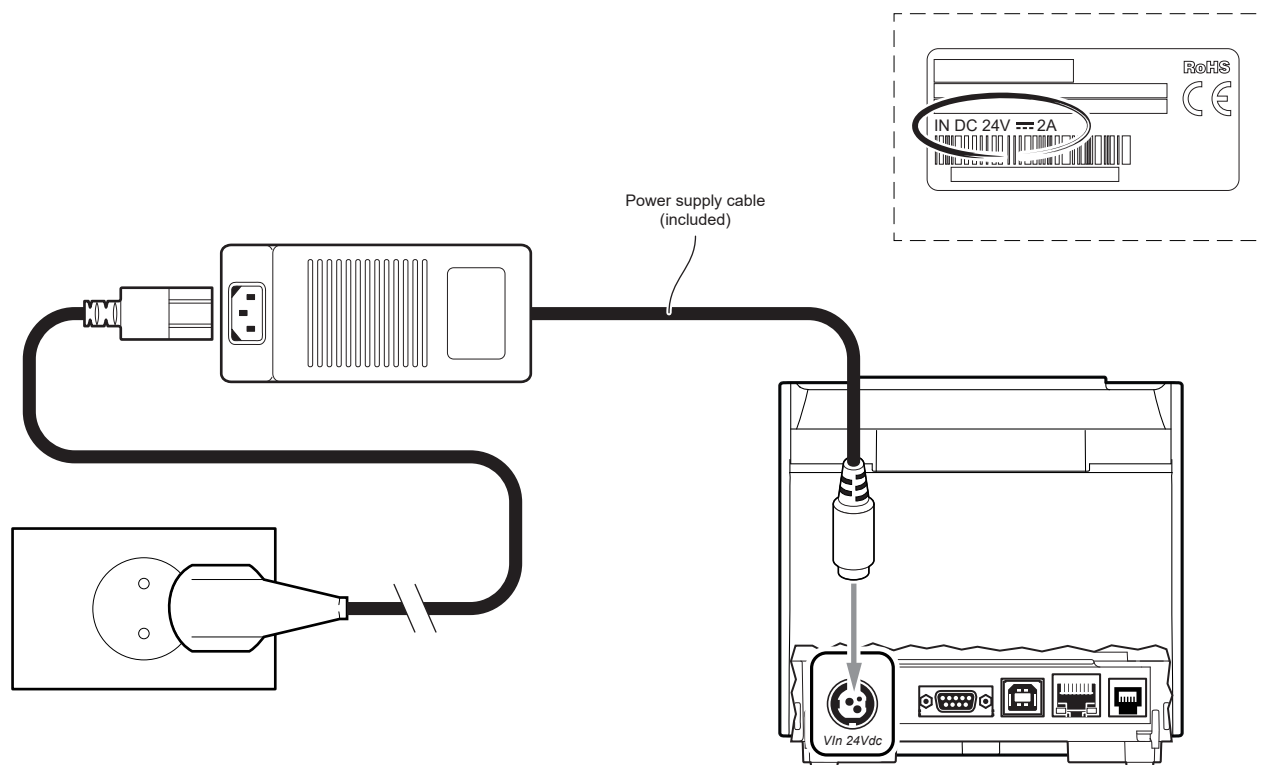
3



To use 58 mm or 60 mm paper width,
properly place the optional paper adapter
(see [chapter 11](#)).

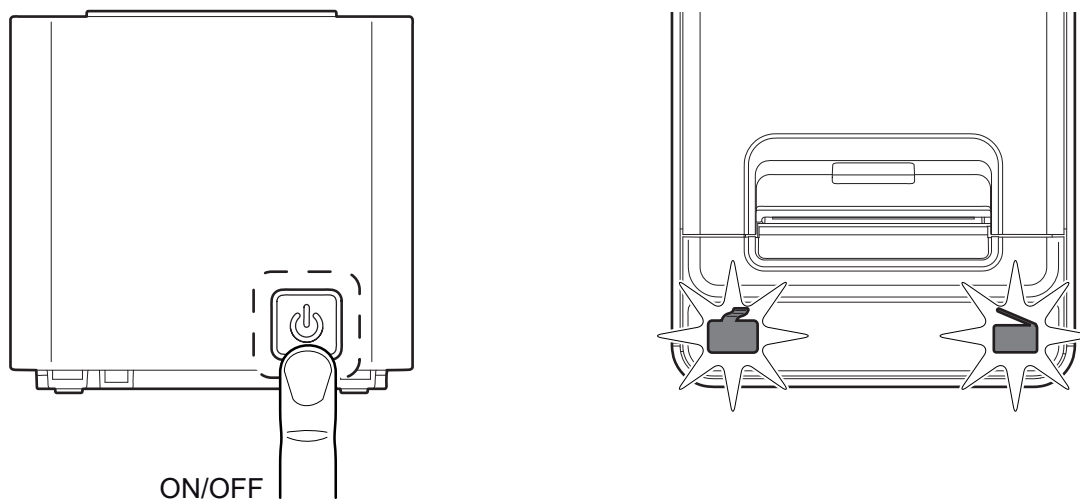
5.4 Switch the device ON/OFF

1



Connect the power adapter (supplied) to the device and the mains outlet.
Use the type of electrical power supply indicated on the label.

2



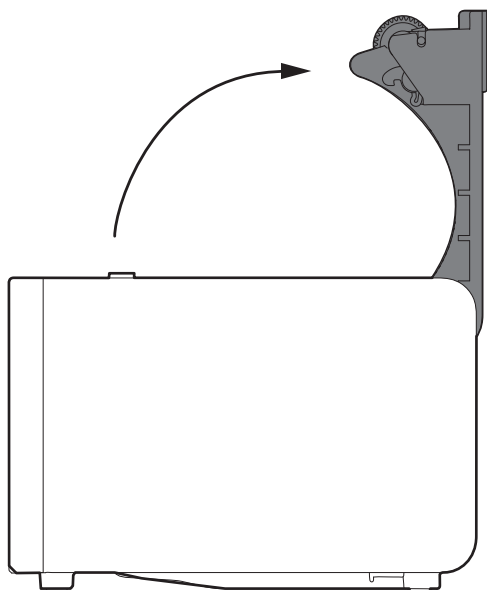
Switch device On pressing key ON/OFF, The indicator lights are switched on and the device is ready.
Switch device Off pressing key ON/OFF.



5.5 Loading the paper roll

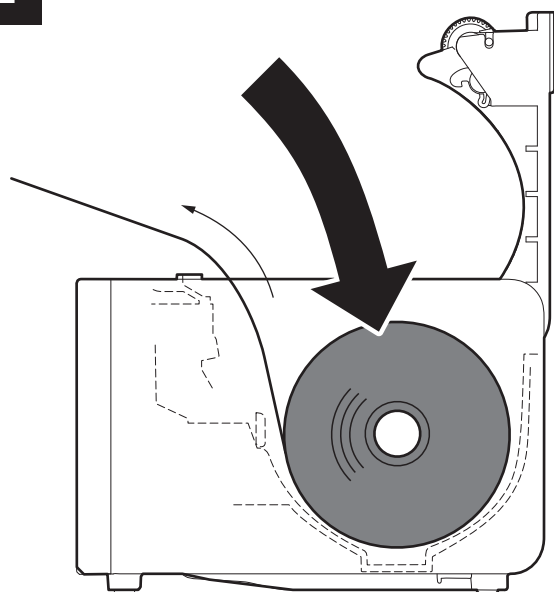
To change the paper proceed as follows. At every change of paper, check inside the device to locate and remove any scraps of paper.

1



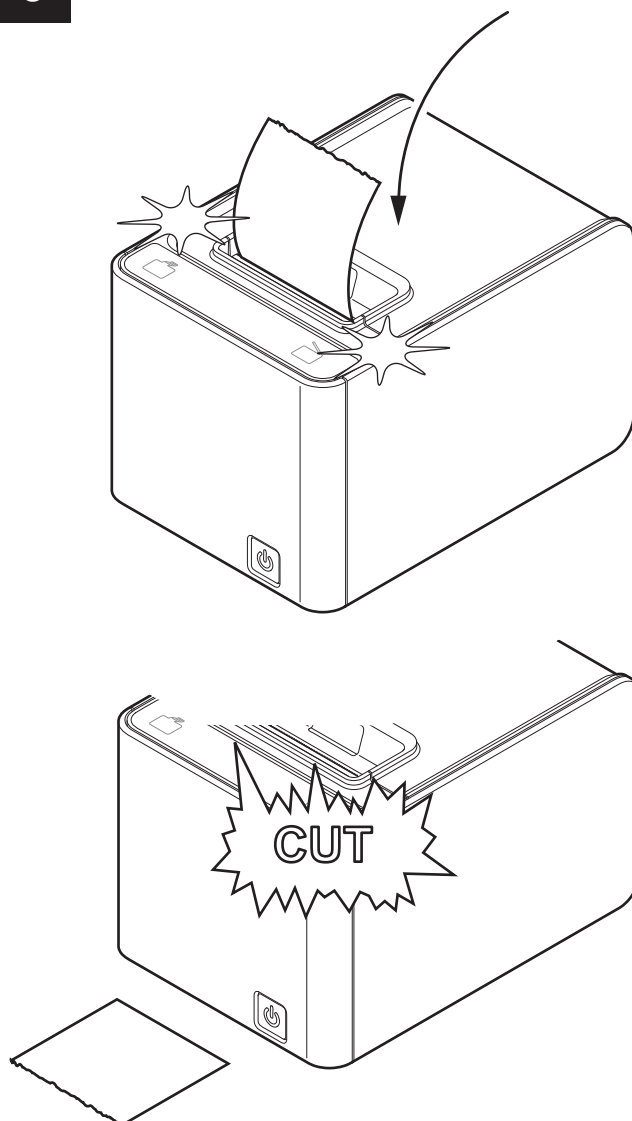
Open the device cover and, if necessary, adjust the paper width (see [paragraph 5.3](#)).

2



Place the roll in the paper compartment and pull out the paper for a few centimetres.

3

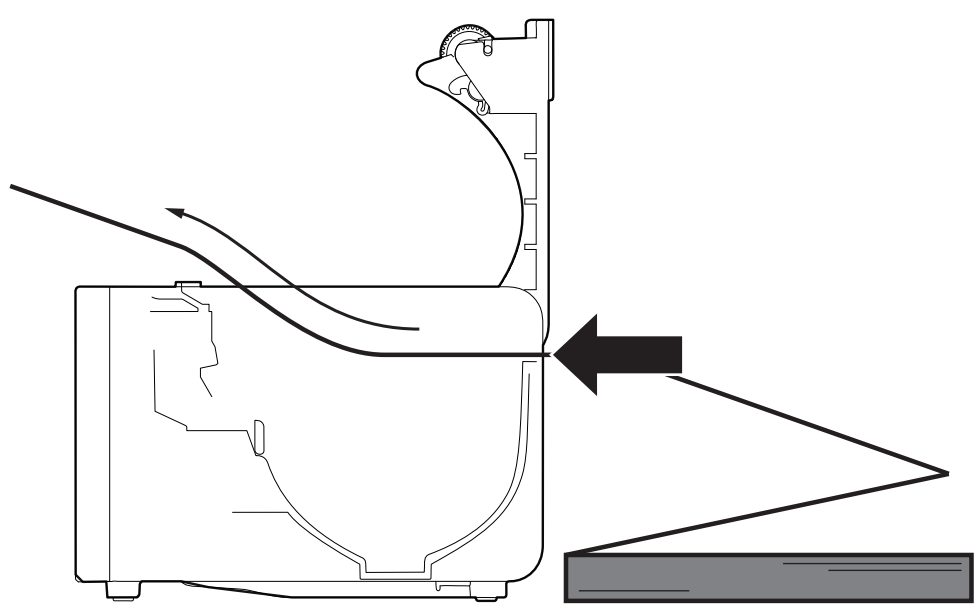


Close the device cover and wait until the paper is loaded and automatically cut off.

5.6 Loading the Fan-fold

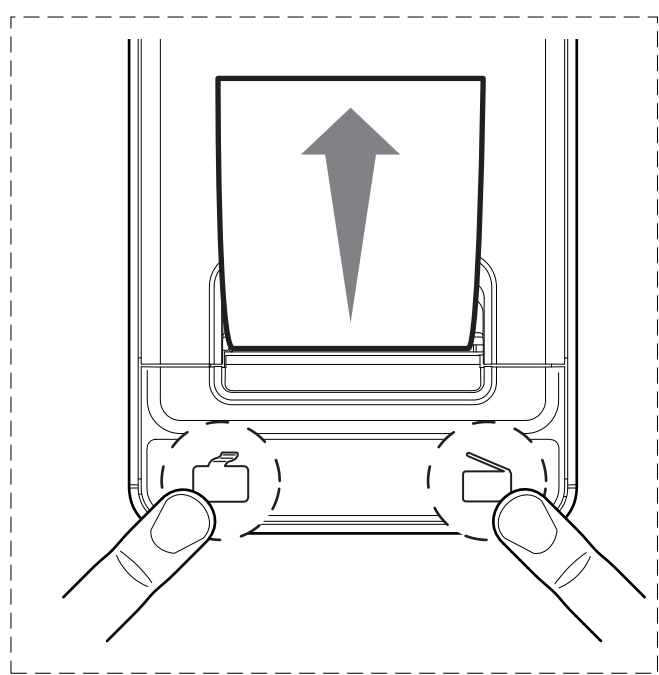
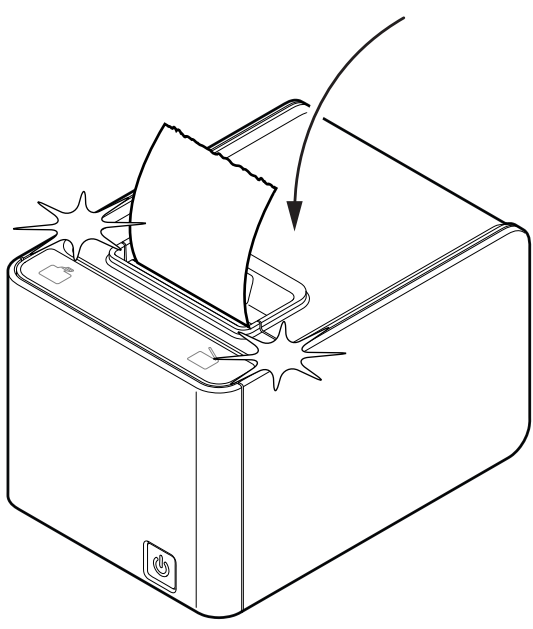
To load the Fan-fold proceed as follows. At every change of paper, check inside the device to locate and remove any scraps of paper.

1



Open the device cover (see [paragraph 5.1](#)) and insert the Fan-fold through the input slot, located on the back of the device. Pull out the paper for a few centimetres.

2



Close the device cover.

If the parameter "Black mark alignment" is enabled proceed with alignment by pressing both keys.



5.7 Pairing with Bluetooth devices

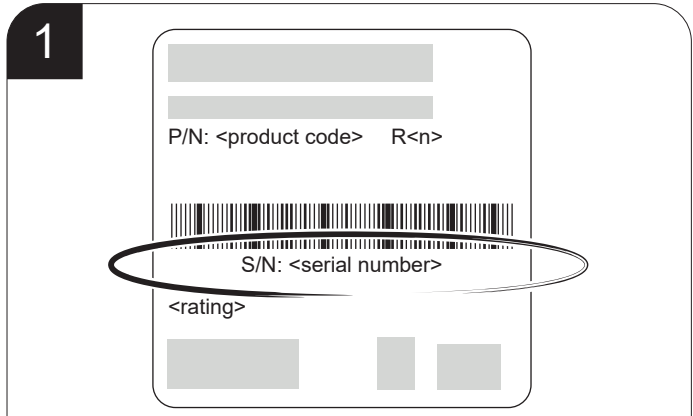
K3 BT

The Bluetooth connectivity of the printer allows the wireless printing from a PC (e.g. using a text editor or third-part software) or from a mobile device Android, iOS and Windows Phone after installing the application “CustomPrint”, downloadable from the download section of www.custom.biz site.

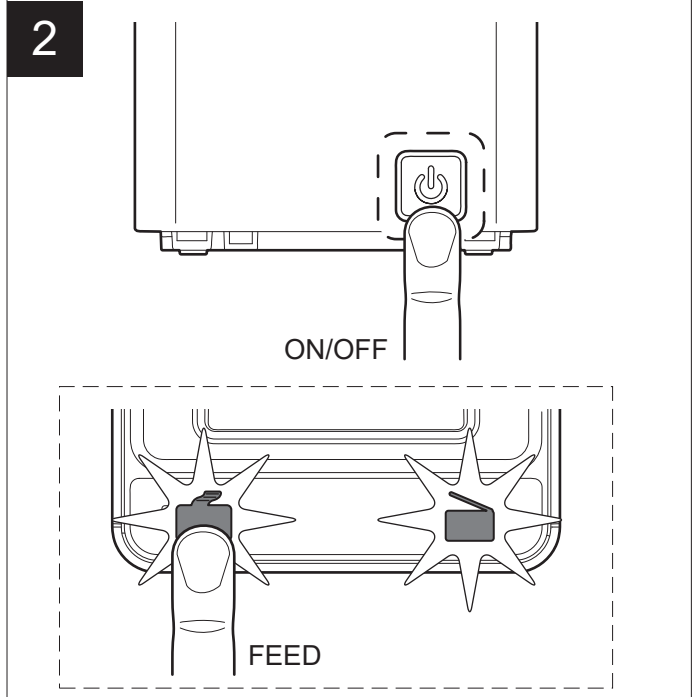
To perform the wireless printing with a device equipped with Bluetooth connectivity is needed to pair with device.

NOTE: The windows used in this paragraph may be different from the screens that appear on the device used for printing and may vary depending on the version of the operating system.

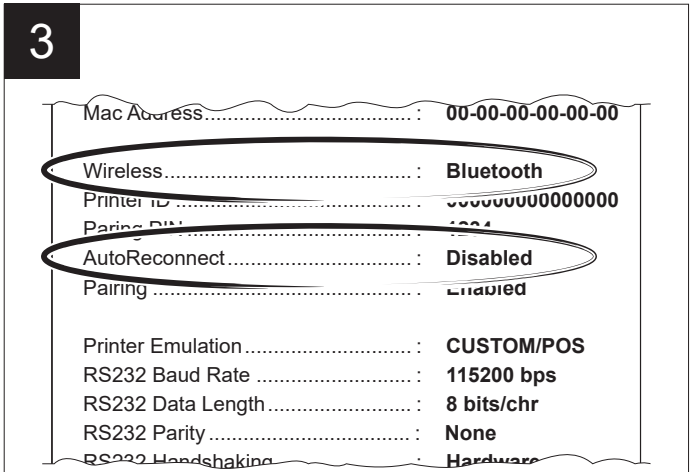
Windows



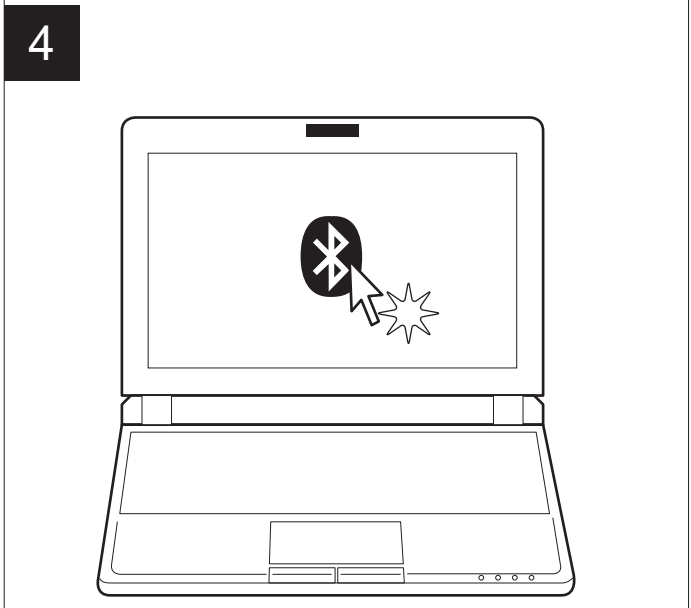
Write down the 16-digit serial number indicated on the label of the printer (see [paragraph 3.4](#)).



Turn on the printer and print a setup report (see [paragraph 6.1](#)).

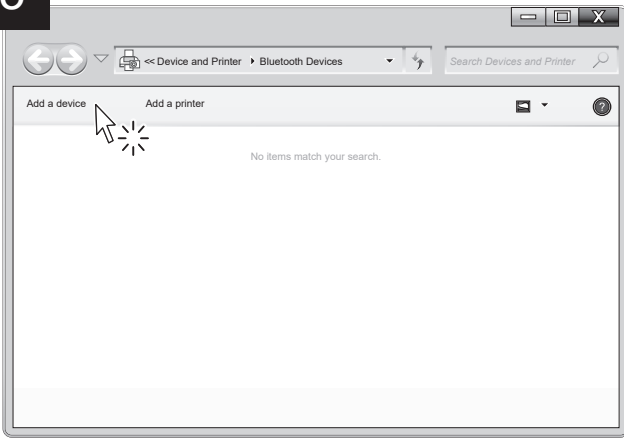


Make sure that the “Wireless” parameter on the printer is set to “Bluetooth” and that the “AutoReconnect” parameter is set to “Disabled” (see [paragraph 6.6](#)).



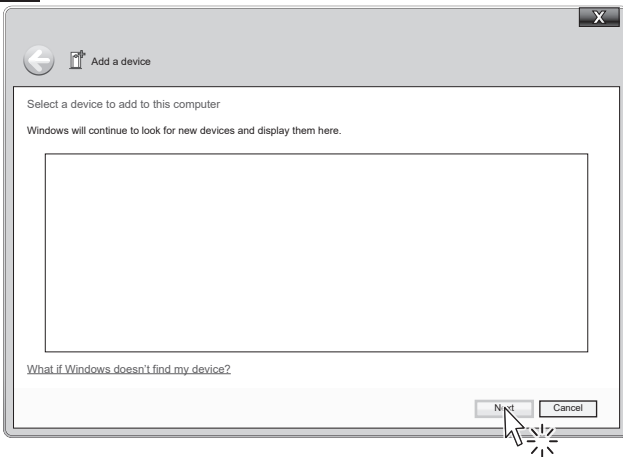
On the PC status bar click the Bluetooth icon.

5



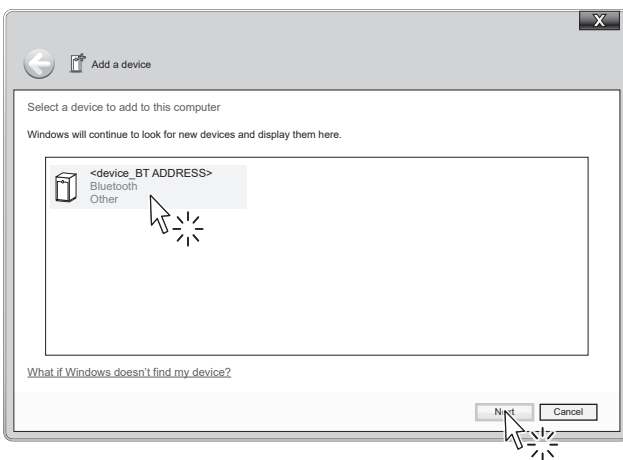
In the window that opens, click "Add a device".

6



Click the "Next" key.

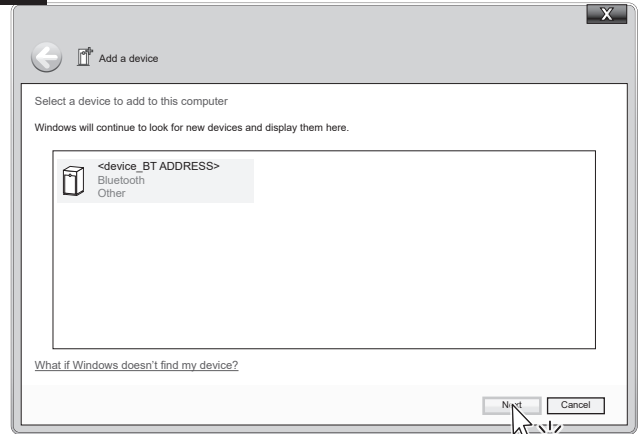
7



Locate your Bluetooth printer in the list of proposed devices (<device_serial number>) and select it with a click.

8

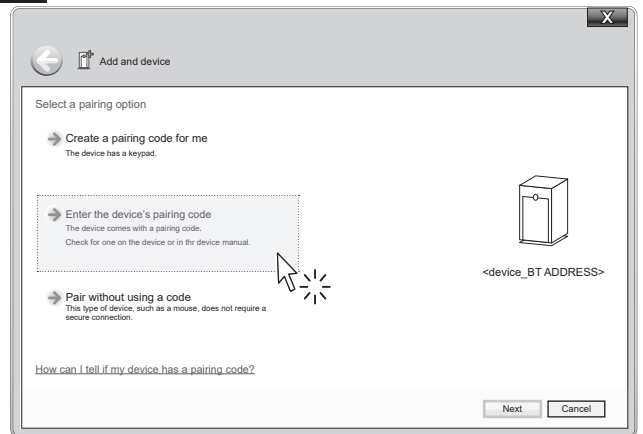
"Pairing" = Disabled



If the parameter "Pairing" of the printer is set to "Disabled" (see paragraph 6.6), click the "Next" key to confirm the pairing and skip to step 11.

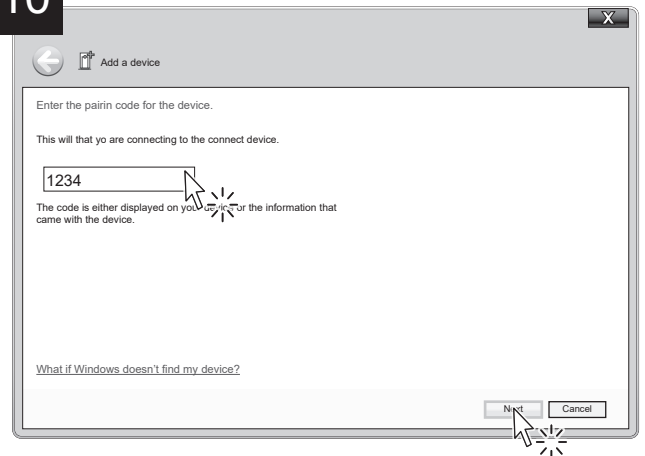
9

"Pairing" = Enabled



If parameter "Pairing" of the printer is set to "Enabled" (see paragraph 6.6), click "Enter the device's pairing code".

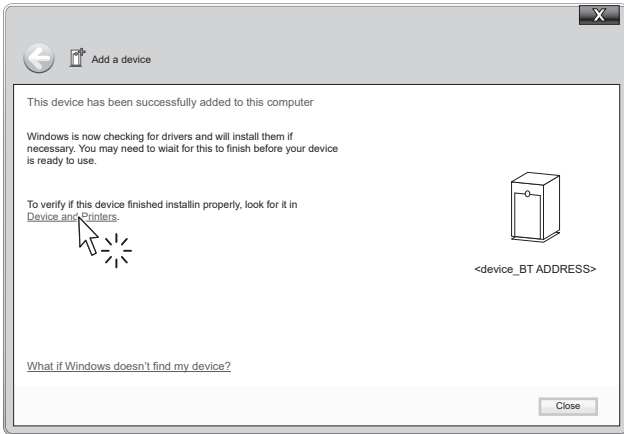
10



Enter the code (1234) and click the "Next" key.

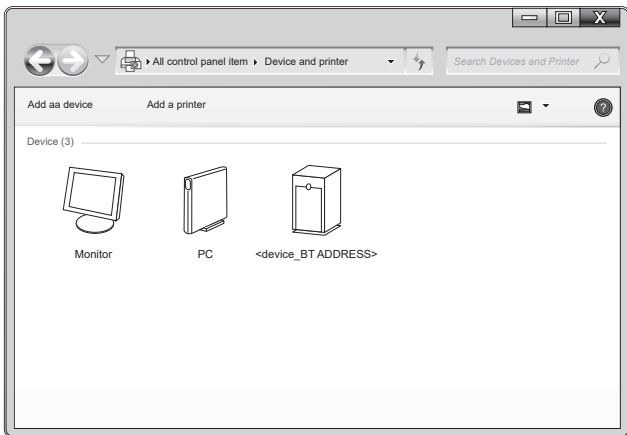
Mac OS

11



In the confirmation message that appears, click “Device and Printers”.

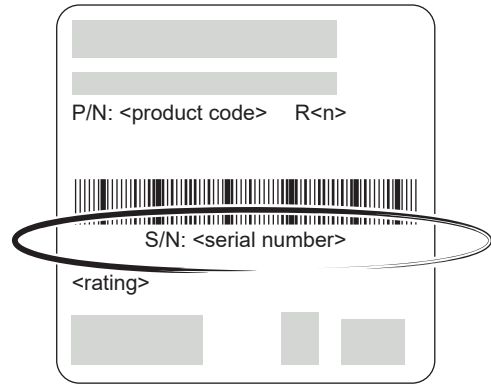
12



Check that your device appears in the list of paired devices.

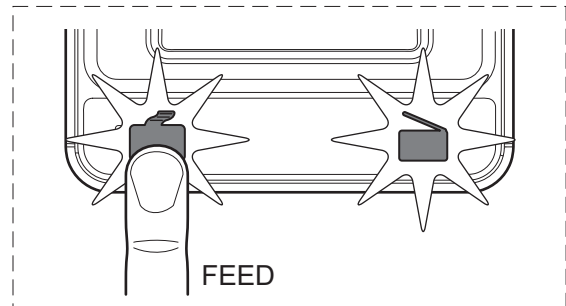
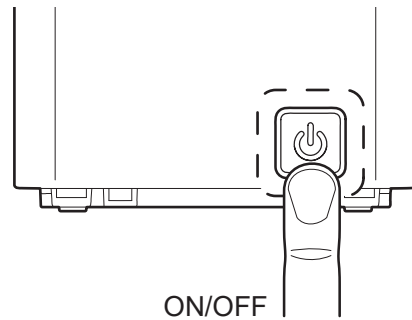
NOTE: Once that has occurred the pairing between the host and printer, this remains active even in the event of switching of, interruption of communication, etc.

1



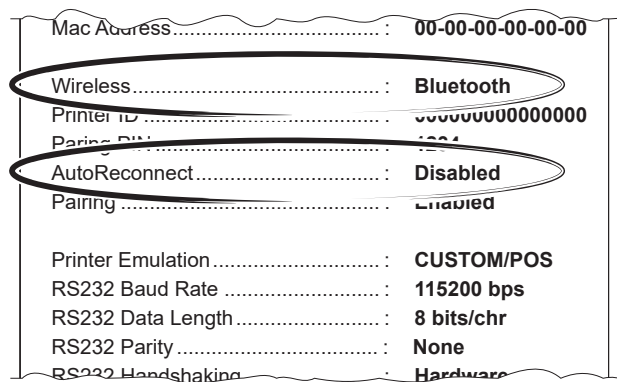
Write down the 16-digit serial number indicated on the label of the printer (see [paragraph 3.4](#)).

2



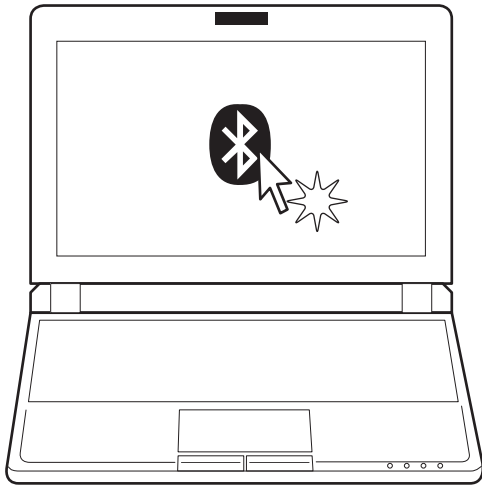
Turn on the printer and print a setup report (see [paragraph 6.1](#)).

3



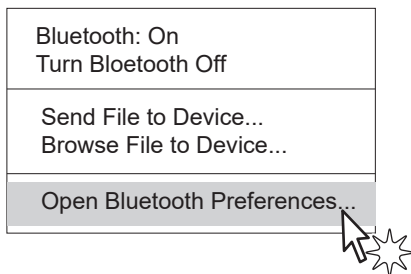
Make sure that the “Wireless” parameter on the printer is set to “Bluetooth” and that the “AutoReconnect” parameter is set to “Disabled” (see [paragraph 6.6](#)).

4



On the PC status bar click the Bluetooth icon.

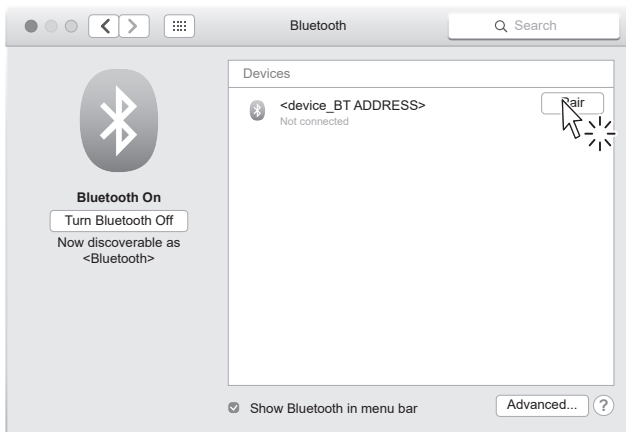
5



In the dropdown menu click "Open Bluetooth Preferences".

6

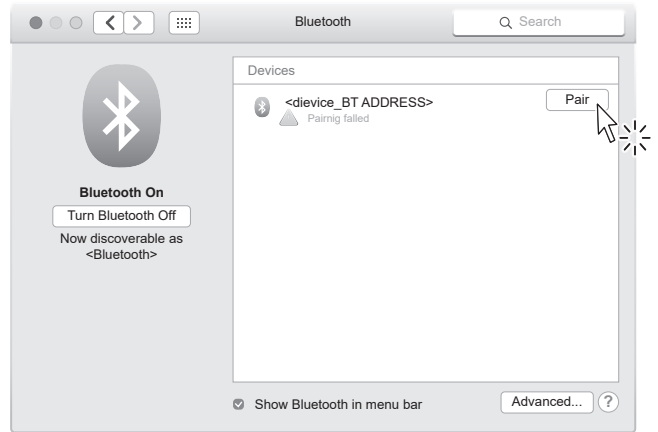
"Pairing" = Disabled



If the parameter "Pairing" of the printer is set to "Disabled" (see paragraph 6.6), locate your printer (<device_BT ADDRESS>) and select it with a click. Click the "Next" key to confirm the pairing and skip to step 10.

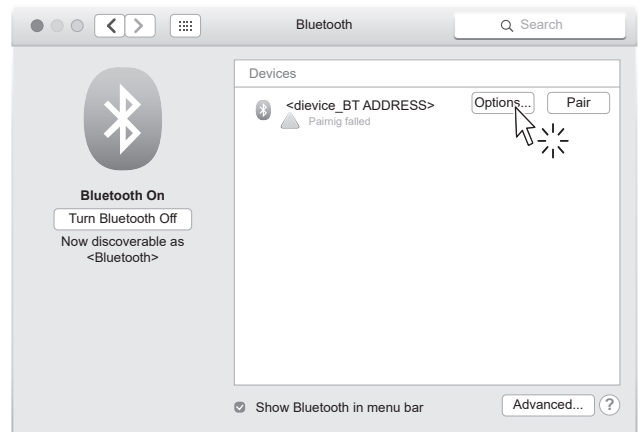
7

"Pairing" = Enabled



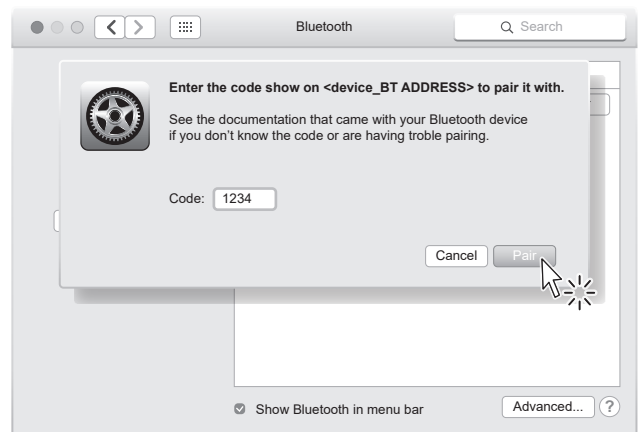
If parameter "Pairing" of the printer is set to "Enabled" (see paragraph 6.6), click the "Pair" key. An error message appears on the screen. Click the "Pair" key again.

8



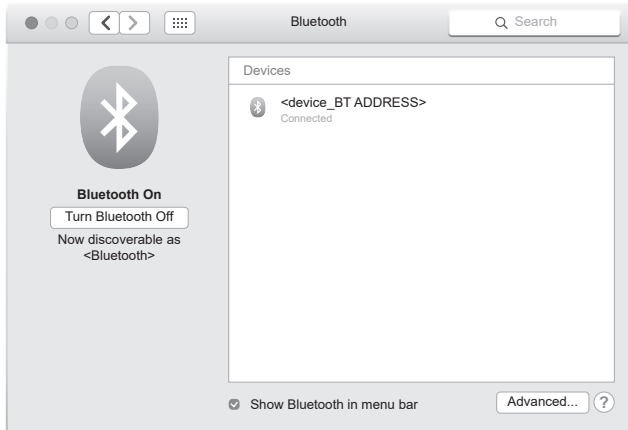
Click "Options" key.

9



Enter the code (1234) and click "Pair" key to confirm.

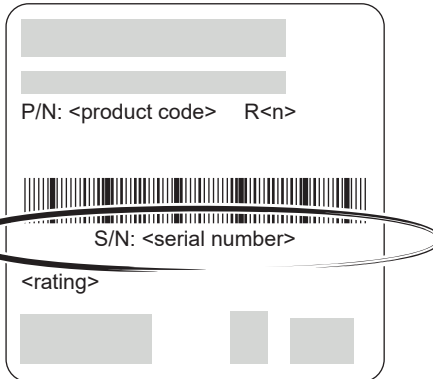
10



Check that your device appears in the list of paired devices.

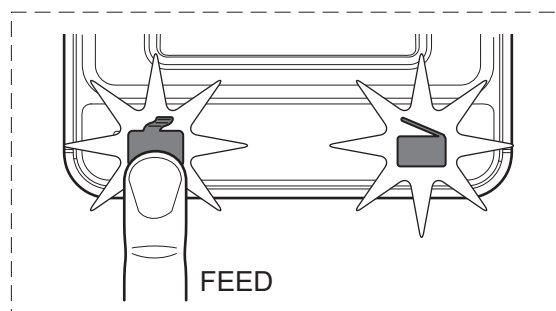
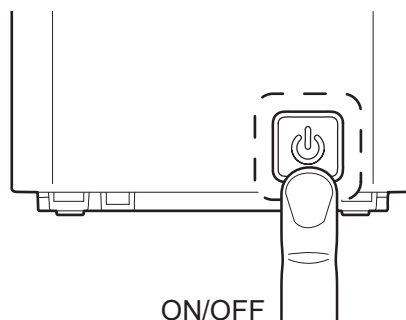
Linux

1



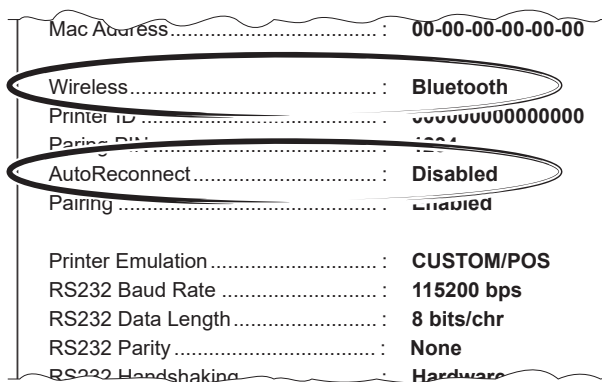
Write down the 16-digit serial number indicated on the label of the printer (see [paragraph 3.4](#)).

2



Turn on the printer and print a setup report (see [paragraph 6.1](#)).

3



Make sure that the “Wireless” parameter on the printer is set to “Bluetooth” and that the “AutoReconnect” parameter is set to “Disabled” (see [paragraph 6.6](#)).

NOTE: Once that has occurred the pairing between the host and printer, this remains active even in the event of switching of, interruption of communication, etc.

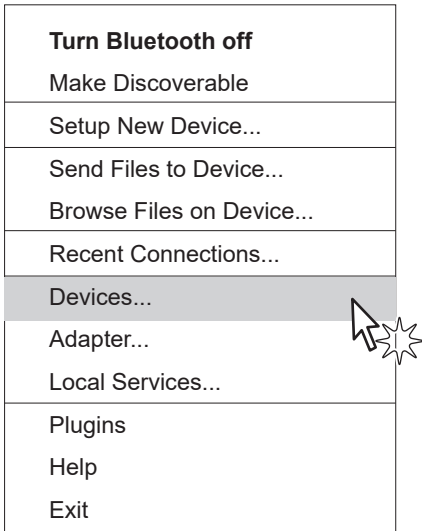


4



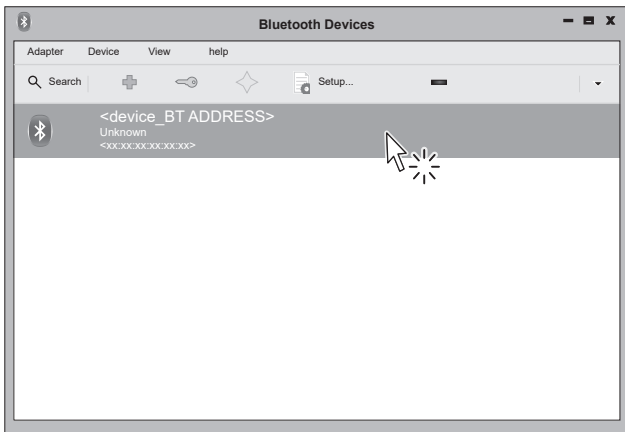
On the PC status bar click the Bluetooth icon.

5



In the dropdown menu click "Devices".

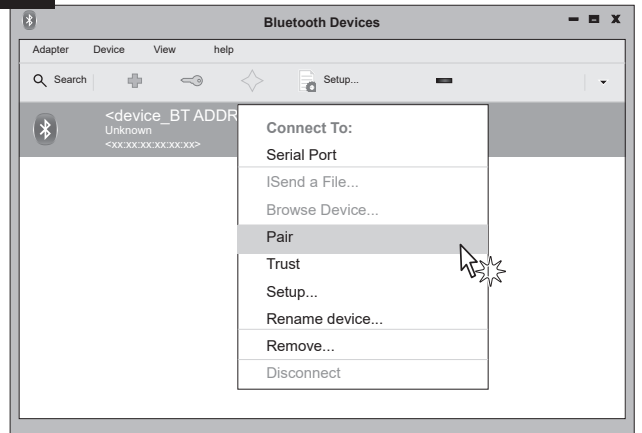
6



Locate your printer (<device_BT ADDRESS>) and select it with a click.

7

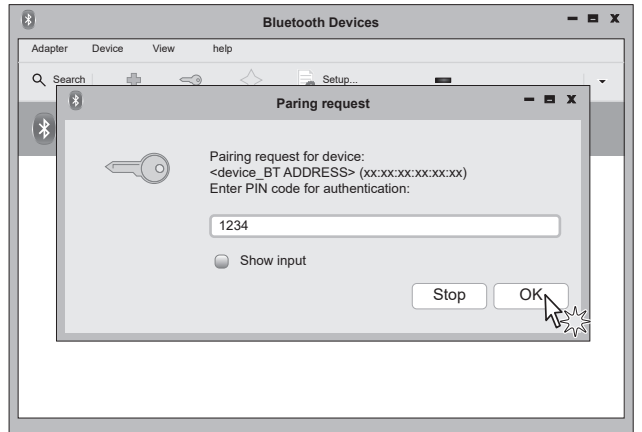
"Pairing" = Disabled



In the dropdown menu, click the "Pair" key. If the parameter "Pairing" of the printer is set to "Disabled" (see [paragraph 6.6](#)) skip to step 9.

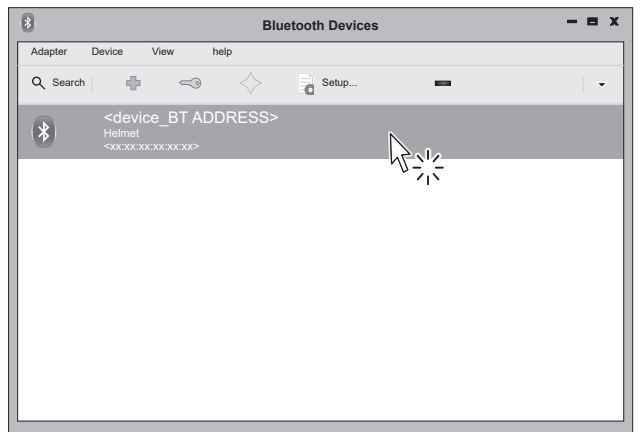
8

"Pairing" = Enabled



If the parameter "Pairing" of the printer is set to "Enabled" (see [paragraph 6.6](#)), enter the code (1234) and click "OK" to confirm.

9

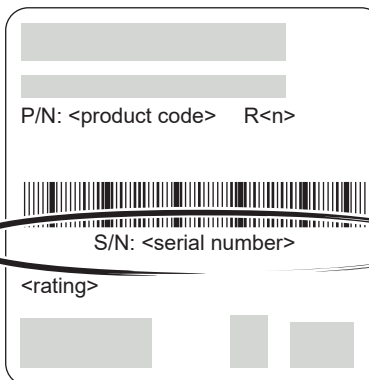


Check that your device appears in the list of paired devices.

NOTE: Once that has occurred the pairing between the host and printer, this remains active even in the event of switching of, interruption of communication, etc.

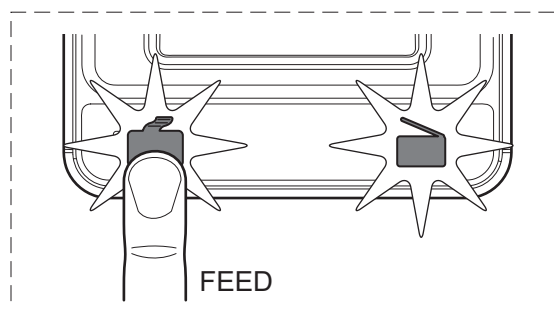
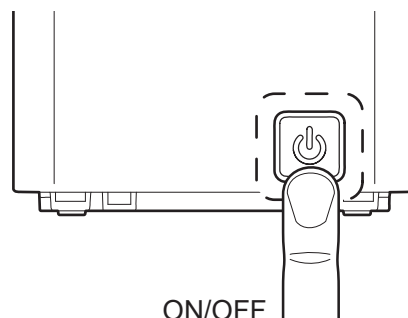
Android

1



Write down the 16-digit serial number indicated on the label of the printer (see [paragraph 3.4](#)).

2



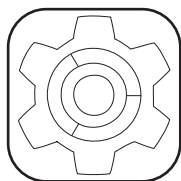
Turn on the printer and print a setup report (see [paragraph 6.1](#)).

3

Mac Address.....	00-00-00-00-00-00
Wireless.....	Bluetooth
Printer ID.....	0000000000000000
Pairing PIN.....	1234
AutoReconnect.....	Disabled
Pairing.....	Enabled
Printer Emulation.....	CUSTOM/POS
RS232 Baud Rate.....	115200 bps
RS232 Data Length.....	8 bits/chr
RS232 Parity.....	None
RS232 Handshaking.....	Hardware

Make sure that the “Wireless” parameter on the printer is set to “Bluetooth” and that the “AutoReconnect” parameter is set to “Disabled” (see [paragraph 6.6](#)).

4



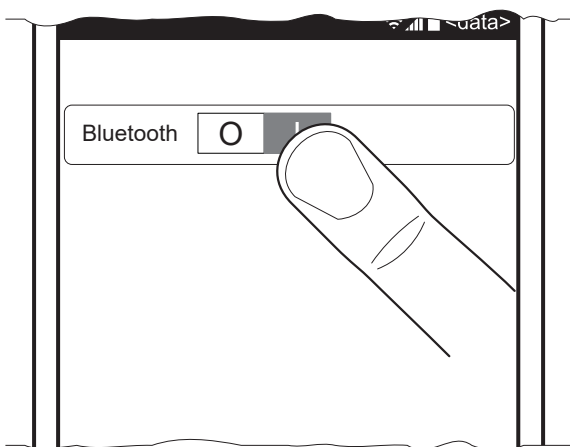
Press the “Settings” icon on your Android device.

5



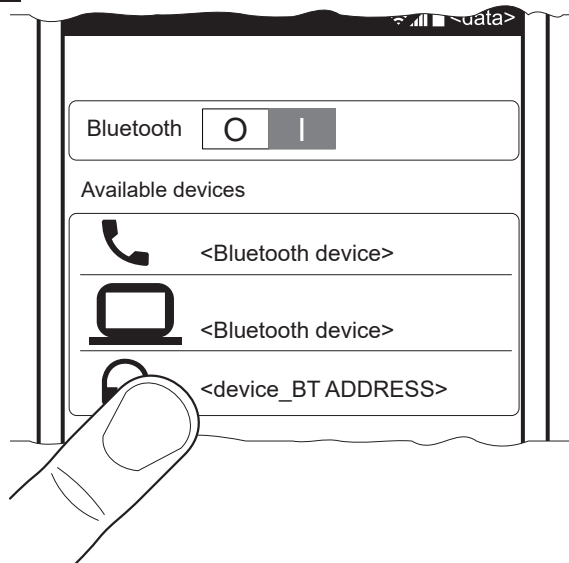
Press the “Bluetooth” icon.

6



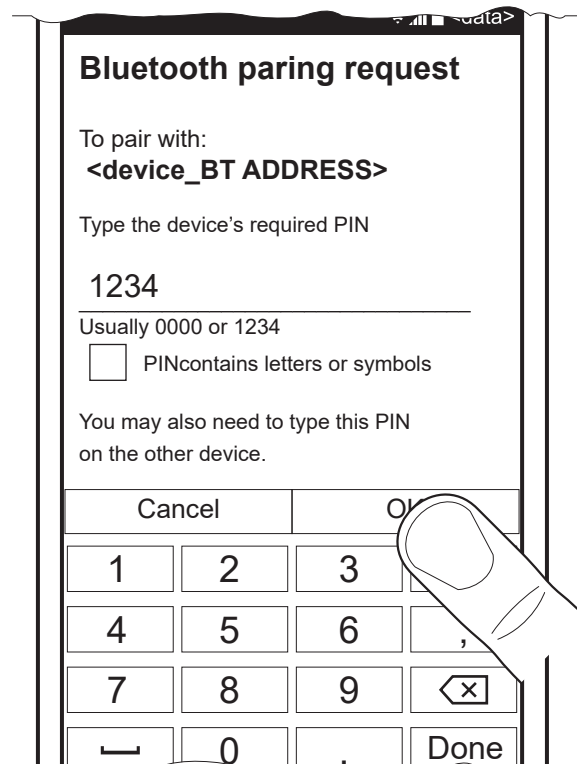
Move the switch to ON to enable the Bluetooth communication and start searching for available devices .

7



Locate your printer (<device_BT ADDRESS>) and select it with a click.

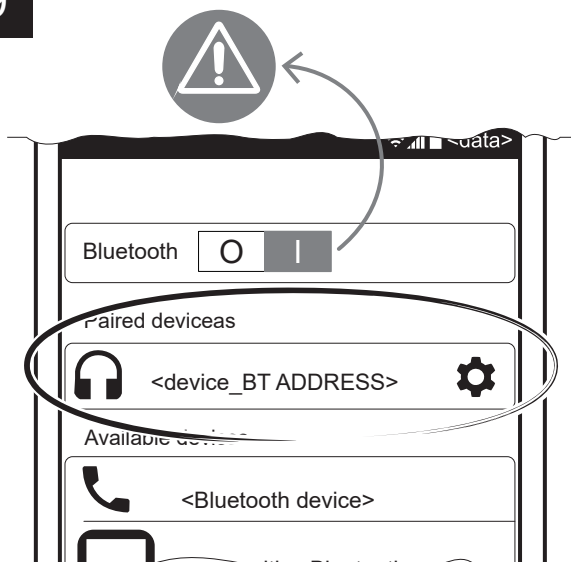
8



If the parameter “Pairing” of the printer is set to “Enabled” (see [paragraph 6.6](#)) enter the code (1234) and press the “OK” key to confirm.

If the parameter “Pairing” of the printer is set to “Disabled” (see [paragraph 6.6](#)) pairing is automatically performed.

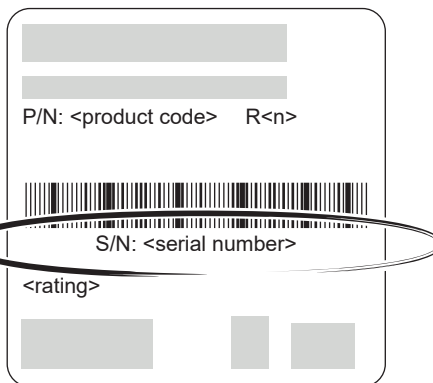
9



Once pairing is completed, do not turn off Bluetooth communication. Otherwise, communication will be interrupted.

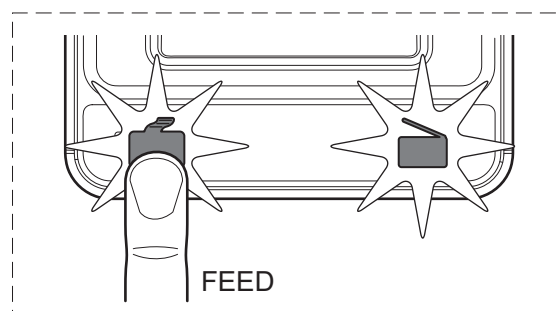
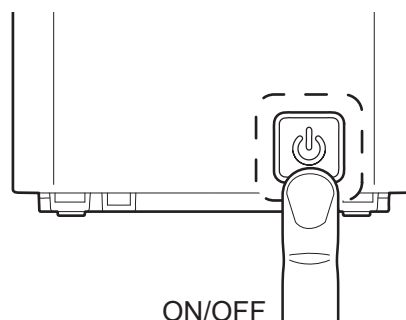
IOS

1



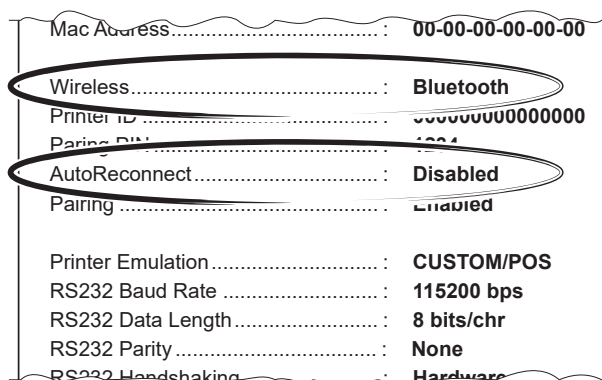
Write down the 16-digit serial number indicated on the label of the printer (see [paragraph 3.4](#)).

2



Turn on the printer and print a setup report (see [paragraph 6.1](#)).

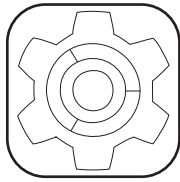
3



Make sure that the “Wireless” parameter on the printer is set to “Bluetooth” and that the “AutoReconnect” parameter is set to “Disabled” (see [paragraph 6.6](#)).

NOTE: To print with an Android device you need to install the application “Custom Print” available in the download area of the site www.custom.biz.

4



Press the “Settings” icon,
on your iOS device.

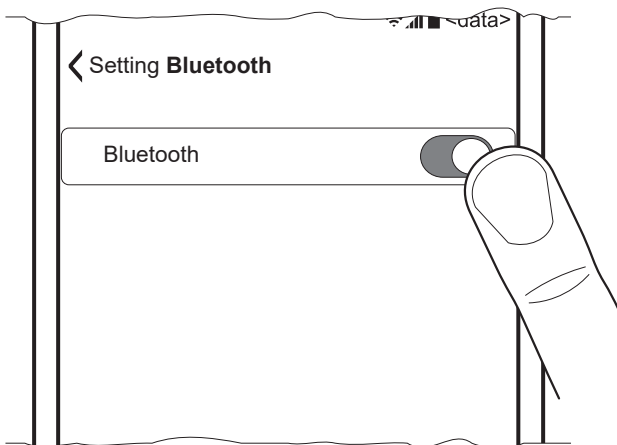
5



Bluetooth

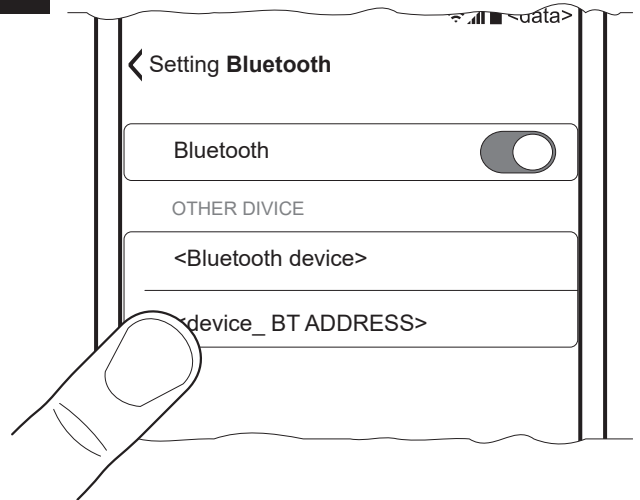
Press the “Bluetooth” icon.

6



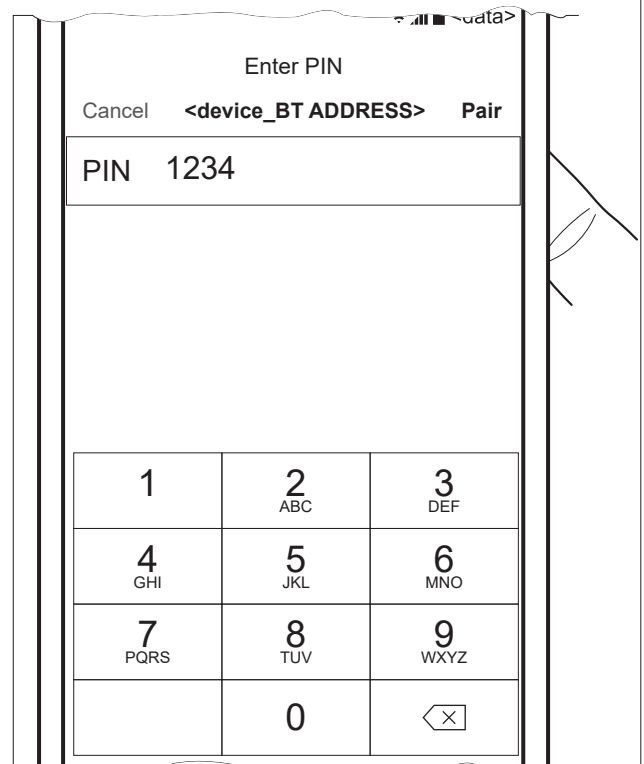
Move the switch to ON to enable the Bluetooth
communication and start searching
for available devices .

7



Locate your printer (<device_BT ADDRESS>)
and select it with a click.

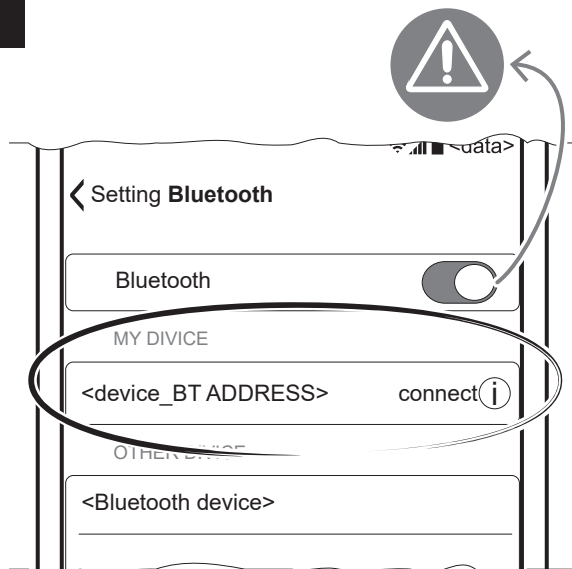
8



If the parameter “Pairing” of the printer is set to
“Enabled” (see [paragraph 6.6](#)) enter the code (1234)
and press the “Pair” key to confirm.

If the parameter “Pairing” of the printer is set to
“Disabled” (see [paragraph 6.6](#)) pairing is
automatically performed.

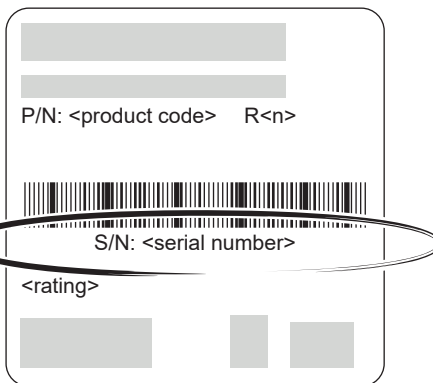
9



Once pairing is completed, do not turn off Bluetooth communication. Otherwise, communication will be interrupted.

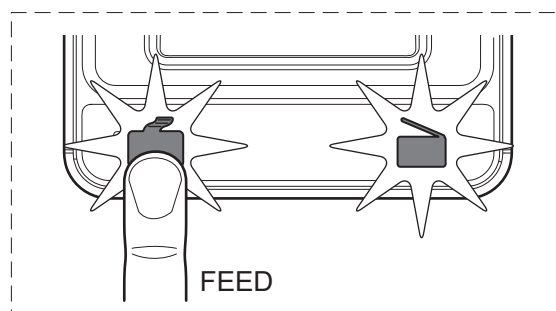
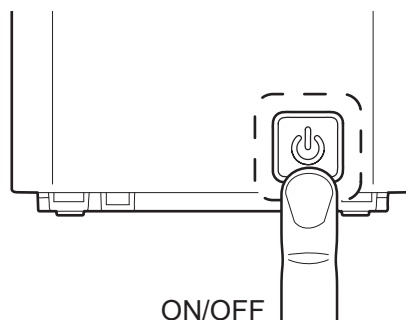
Windows Phone

1



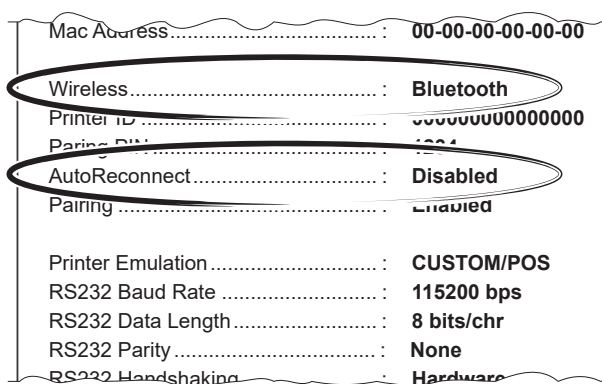
Write down the 16-digit serial number indicated on the label of the printer (see paragraph 3.4).

2



Turn on the printer and print a setup report (see paragraph 6.1).

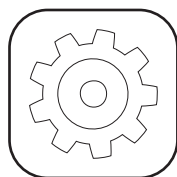
3



Make sure that the “Wireless” parameter on the printer is set to “Bluetooth” and that the “AutoReconnect” parameter is set to “Disabled” (see paragraph 6.6).

NOTE: To print with an iOS device you need to install the application “Custom Print” available in the download area of the site www.custom.biz.

4



Press the "Settings" icon on the Windows device.

5

Bluetooth

Press the "Bluetooth" icon.

6



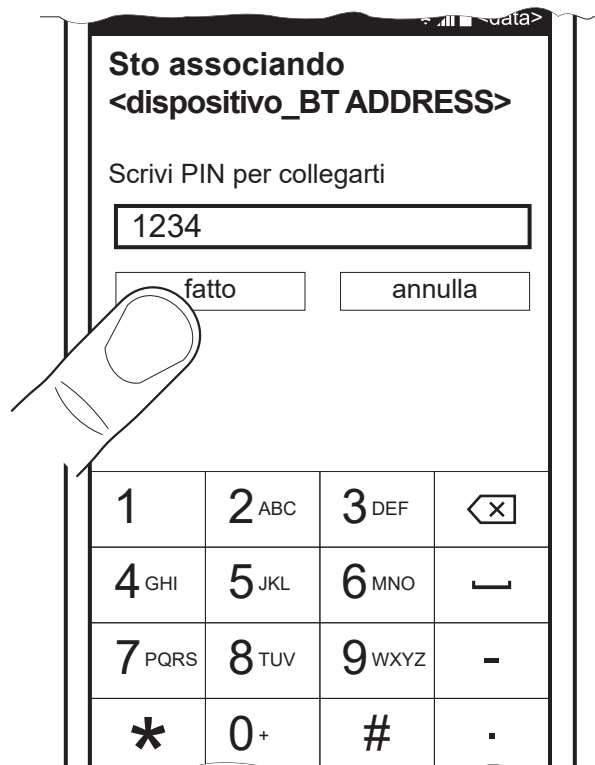
Move the switch to ON to enable the Bluetooth communication and start searching for available devices.

7



Locate your printer (<device_BT ADDRESS>) and select it with a click.

8



If the parameter "Pairing" of the printer is set to "Enabled" (see [paragraph 6.6](#)) enter the code (1234) and press the "Done" key to confirm.

If the parameter "Pairing" of the printer is set to "Disabled" (see [paragraph 6.6](#)) pairing is automatically performed.

9



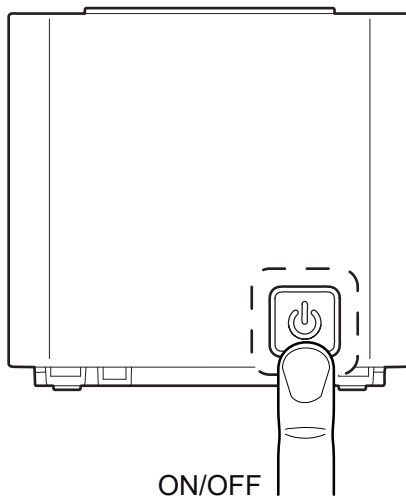
Once pairing is completed, do not turn off Bluetooth communication. Otherwise, communication will be interrupted.

NOTE: To print with a Windows Phone device you need to install the application "Custom Print" available in the download area of the site www.custom.biz.

5.8 Wi-Fi pairing with mobile devices

K3 Wi-Fi

1



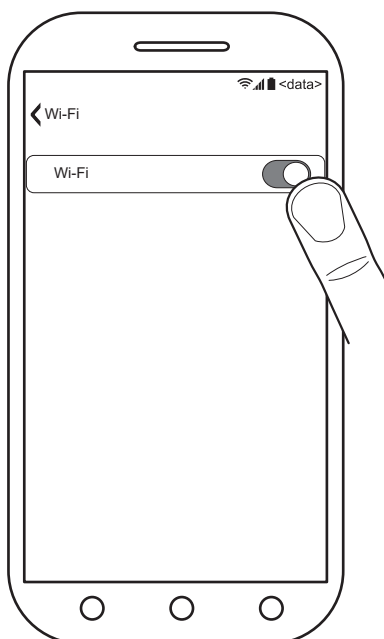
Turn on the device by pressing the ON/OFF key (see [paragraph 5.4](#)).

2

Wireless.....: **Wi-Fi**
SSID.....: **<name>**
Password.....: **<password>**

Check that the “Wireless” parameter is set on “Wi-Fi” and set “SSID” and “Password” parameters (see [paragraph 6.6](#)) to the values of the network you want to associate with.

3



Check that the same wireless parameters set on the printer are set on your mobile device or that the devices are connected to the same network.

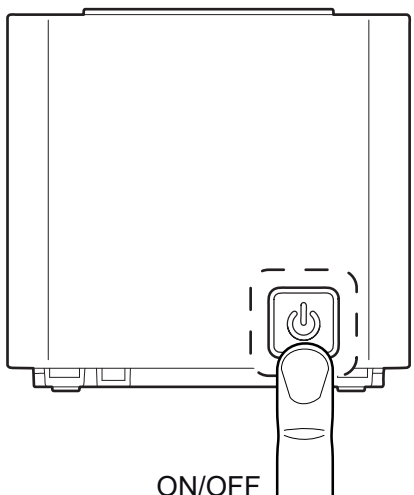


6 CONFIGURATION

6.1 Configuration by keys

To enter the configuration mode and print a setup report with the operating parameters of the device, proceed as follows.

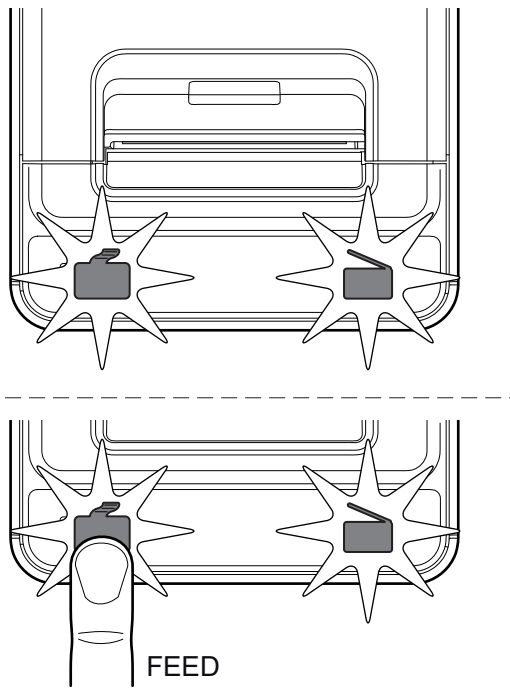
1



ON/OFF

Turn on the device by pressing the ON/OFF key (see [paragraph 5.4](#)).

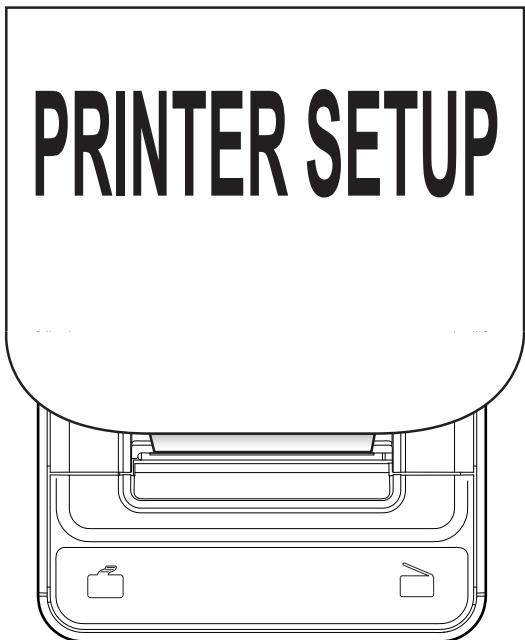
2



FEED


When the indicator lights come on, press and hold down the FEED key.

3



The device prints the report with parameters for printer settings.

4



FEED

↓

Enter printer setup

Press the FEED key to enter the configuration mode.



The following figures shows the device setup reports. The shown values for parameters are sample values; for a detailed description of the device operating parameters see the following paragraphs.

K3 STD, K3 DSP, K3 HS, K3 HS LF

DEVICE NAME AND FIRMWARE MODULES RELEASE	}	<pre style="margin: 0;"> <device name> SCODE <code> - rel 1.00 DCODE <code> - rel 1.00 FCODE <code> - rel 1.00 </pre>
PRINthead STATUS	}	<pre style="margin: 0;"> PRINTER SETTINGS 1 ***** 576 ----- PRINthead WORKING GOOD! </pre>
DEVICE STATUS	}	<pre style="margin: 0;"> PRINTER TYPE<device model> Wi-Fi Module<Wi-Fi module> PRINTING HEAD TYPE<printhead model> INTERFACERS232 ETHERNET TYPE10/100Base-Tx PROGRAM MEMORY TESTOK DYNAMIC RAM TESTOK EXTERNAL MEMORY TESTOK CUTTER TESTOK HEAD VOLTAGE [V] = 23.37 HEAD TEMPERATURE [°C] = 25 POWER ON COUNTER = 4 PAPER PRINTED [cm] = 40 CUT COUNTER = 1 </pre>
ETHERNET PARAMETERS	}	<pre style="margin: 0;"> ETH. SPEED = 10Mb/s Half-Duplex MDIX [Network configuration] DHCP Client: Disabled IP Address: 192.168.0.1 Subnet Mask: 255.255.240.0 Default Gateway: 192.168.0.5 [Ethernet] Mac Address: 00-00-00-00-00-00 </pre>
PARAMETERS FOR DEVICE CONFIGURATION	}	<pre style="margin: 0;"> Wireless: Wi-Fi Printer Emulation: CUSTOM/POS RS232 Baud Rate: 115200 bps RS232 Data Length: 8 bits/chr RS232 Parity: None RS232 Handshaking: Hardware Busy Condition: RxFull USB Class: Printer USB Address Number: 0 Print Mode: Normal Autofeed: CR Disabled Code Table [num]: 0 Font Type: International Chars / inch: A=15 B=20 cpi Speed / Quality: Normal Print Width: 72mm[80PaperW] Paper Threshold: 40% Black mark Position: Bottom Black mark Threshold: 40% Black mark Distance [mm]: +15 Total cut: Enabled PaperEnd Buffer Clear: Disabled PrintHead Test PowerOn: Disabled Data Logger: Disabled Line Space Reduction: Disabled Line Feed Reduction: Disabled Barcode Height Reduct: Disabled Auto Cover Open: Enabled Power Management: Disabled Print Density: 0% </pre>
KEYS FUNCTIONS	}	<pre style="margin: 0;"> [FEED] enter Printer setup [OPEN] skip Setup </pre>



DEVICE NAME AND FIRMWARE MODULES RELEASE	}	<pre> <device name> SCODE <code> - rel 1.00 DCODE <code> - rel 1.00 FCODE <code> - rel 1.00 </pre>
PRINTING HEAD STATUS	}	<p>PRINTER SETTINGS</p> <p>1 «*****» 576</p> <hr/> <p>PRINthead WORKING GOOD!</p>
DEVICE STATUS	}	<pre> PRINTER TYPE<device model> Wi-Fi Module<Wi-Fi module> PRINTING HEAD TYPE.....<printhead model> INTERFACERS232 PROGRAM MEMORY TEST.....OK DYNAMIC RAM TEST.....OK EXTERNAL MEMORY TEST.....OK CUTTER TEST.....OK HEAD VOLTAGE [V] = 23.37 HEAD TEMPERATURE [°C] = 25 POWER ON COUNTER = 4 PAPER PRINTED [cm] = 40 CUT COUNTER = 1 </pre>
Wi - Fi COMMUNICATION	}	<pre> [Network configuration] DHCP Client: Disabled IP Address: 192.168.0.1 Subnet Mask: 255.255.240.0 Default Gateway.....: 192.168.0.5 [Ethernet] Mac Address.....: 00-00-00-00-00-00 [Wi-Fi] SSID: Custom Security Type.....: WPA2 Mac Address.....: 00-00-00-00-00-00 </pre>
PRINTER PARAMETERS	}	<pre> Wireless.....: Wi-Fi Printer Emulation.....: CUSTOM/POS RS232 Baud Rate: 115200 bps RS232 Data Length.....: 8 bits/chr RS232 Parity.....: None RS232 Handshaking.....: Hardware Busy Condition.....: RxFull USB Class.....: Printer USB Address Number.....: 0 Print Mode.....: Normal Autofeed.....: CR Disabled Code Table [num].....: 0 Font Type.....: International Chars / inch.....: A=15 B=20 cpi Speed / Quality.....: Normal Print Width.....: 72mm[80PaperW] Paper Threshold.....: 40% Black mark position.....: Bottom Black mark threshold.....: 40% Black mark distance [mm].....: +15 Total cut.....: Enabled PaperEnd Buffer Clear.....: Disabled PrintHead Test PowerOn.....: Disabled Data Logger.....: Disabled Line Space Reduction.....: Disabled Line Feed Reduction.....: Disabled Barcode Height Reduct.....: Disabled Auto Cover Open.....: Enabled Power Management.....: Disabled Print Density.....: 0% </pre>
KEYS FUNCTIONS	}	<pre> [FEED] enter Printer setup [OPEN] enter SmartConfig </pre>



DEVICE NAME AND FIRMWARE MODULES RELEASE

```

<device name>
SCODE <code>          - rel 1.00
DCODE <code>          - rel 1.00
FCODE <code>          - rel 1.00

```

PRINthead STATUS

PRINTER SETTINGS

1 576

PRINthead WORKING GOOD!

DEVICE STATUS

```

PRINTER TYPE .....<device model>
Wi-Fi Module .....<Wi-Fi module>
PRINTING HEAD TYPE .....<printhead model>
INTERFACE .....RS232
ETHERNET TYPE .....10/100Base-Tx
PROGRAM MEMORY TEST.....OK
DYNAMIC RAM TEST.....OK
EXTERNAL MEMORY TEST .....OK
CUTTER TEST.....OK
HEAD VOLTAGE           [V] = 23.37
HEAD TEMPERATURE     [°C] = 25
POWER ON COUNTER      = 4
PAPER PRINTED         [cm] = 40
CUT COUNTER           = 1

```

ETHERNET PARAMETERS

ETH. SPEED = 10Mb/s Half-Duplex MDIX

[Network configuration]

```

DHCP Client ..... Disabled
IP Address ..... 192.168.0.1
Subnet Mask ..... 255.255.240.0
Default Gateway..... 192.168.0.5

```

WI-FI PARAMETERS

[Ethernet]

```

MAC Address ..... 00-00-00-00-00-00

```

[Wi-Fi]

```

SSID ..... Custom
Security Type..... WPA2
MAC Address ..... 00-00-00-00-00-00

```

BLUETOOTH PARAMETERS

```

Wireless..... Bluetooth
Printer ID ..... 0000000000000000
Pairing PIN ..... 1234
AutoReconnect..... Disabled
Pairing ..... Enabled

```

PARAMETERS FOR DEVICE CONFIGURATION

```

Wireless..... Wi-Fi
Printer Emulation ..... CUSTOM/POS
RS232 Baud Rate ..... 115200 bps
RS232 Data Length ..... 8 bits/chr
RS232 Parity ..... None
RS232 Handshaking ..... Hardware
Busy Condition ..... RxFull
USB Class ..... Printer
USB Address Number ..... 0
Print Mode ..... Normal
Autofeed ..... CR Disabled
Code Table [num] ..... 0
Font Type..... International
Chars / inch ..... A=15 B=20 cpi
Speed / Quality..... Normal
Print Width ..... 72mm[80PaperW]
Paper Threshold ..... 40%
Black mark Position ..... Bottom
Black mark Threshold ..... 40%
Black mark Distance [mm]..... +15
Total cut ..... Enabled
PaperEnd Buffer Clear ..... Disabled
Print-Head Test PowerOn ..... Disabled
Data Logger..... Disabled
Line Space Reduction ..... Disabled
Line Feed Reduction ..... Disabled
Barcode Height Reduct ..... Disabled
Auto Cover Open..... Enabled
Power Management ..... Disabled
Print Density ..... 0%

```

KEYS FUNCTIONS

```

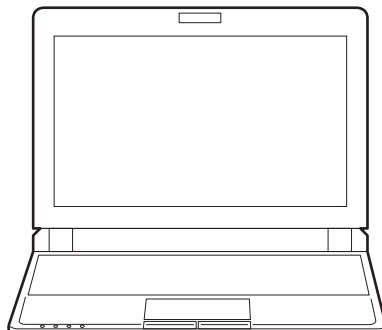
[ FEED ] enter Printer setup
[ OPEN ] skip Setup

```

6.2 Configuration by software

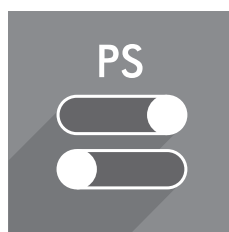
The setup parameters can be set by using the “PrinterSet” software tool available on www.custom4u.it. For a detailed description of the device operating parameters see the following paragraphs. To configure the device by software, proceed as follows:

1



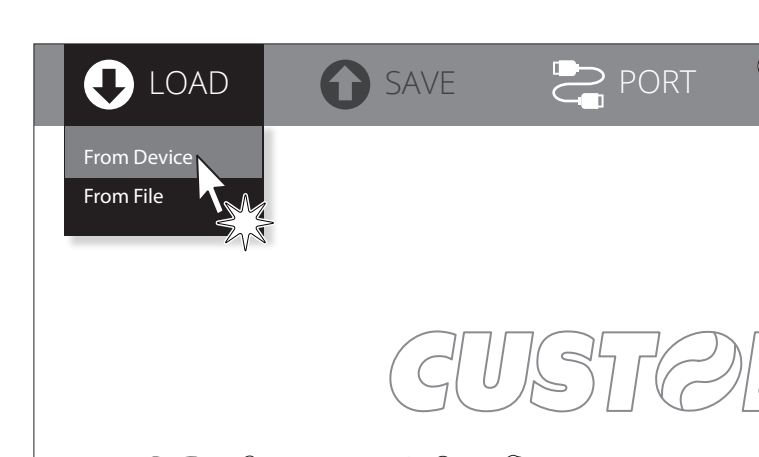
Connect the device to a PC directly (see [paragraph 4.2](#)), without using HUB devices.

2



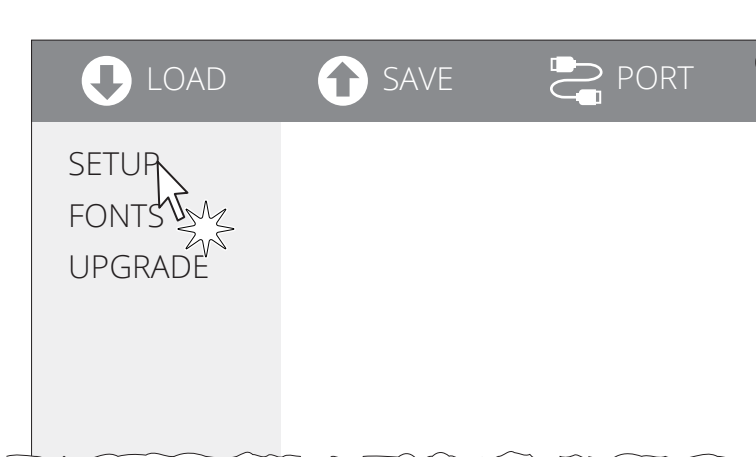
Start “PrinterSet” software tool.

3



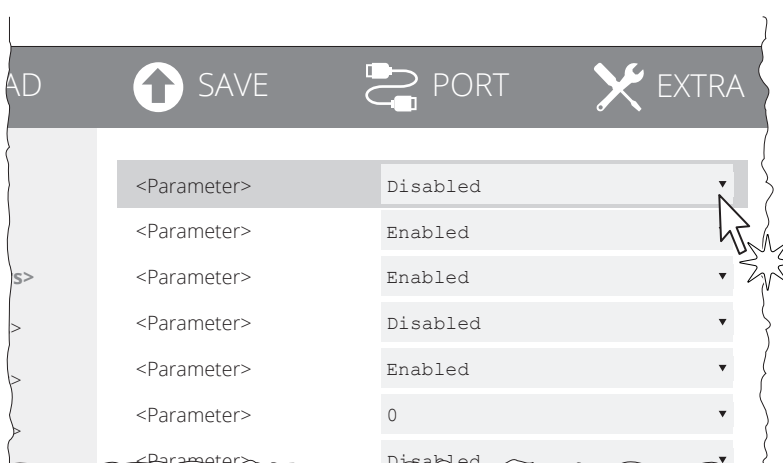
Click on LOAD > FROM DEVICE and select the device connected to the PC.

4



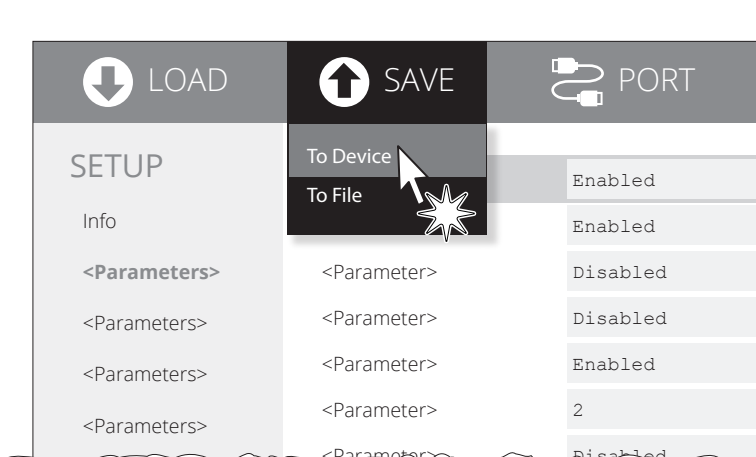
Click on SETUP to access the operating parameters of the device to be configured.

5



Make the desired changes to the device operating parameters.

6



Click on SAVE > TO DEVICE to make the changes made effective.

ATTENTION:

During saving, it is strongly discouraged to disconnect the communication cable or to remove the power supply of the PC or the device.



6.3 Configuration by file

The setup parameters can be set by editing the "Setup.ini" file stored on the Flash Drive of the device. Proceed as follows:

1

↓

Enter setup

Enter the configuration procedure by keys (see [paragraph 6.1](#)) or by software (see [paragraph 6.2](#)).

2

```

<parameter>..... : <value>
<parameter>..... : <value>
<parameter>..... : <value>
<parameter>..... : <value>
<parameter>..... : <value>
USB Class..... : Mass Storage
<parameter>..... : <value>
<parameter>..... : <value>
<parameter>..... : <value>
<parameter>..... : <value>

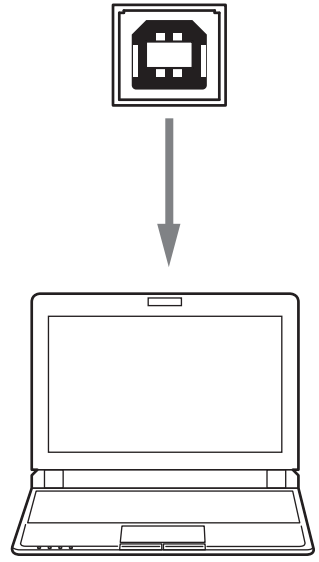
```

Check that the "USB Class" parameter is set to "Mass Storage". Otherwise, this configuration mode is not available.

3

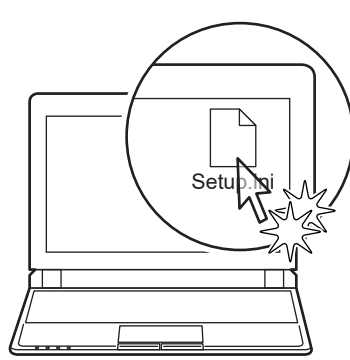
USB

↓



Plug the device to a Personal Computer via USB.

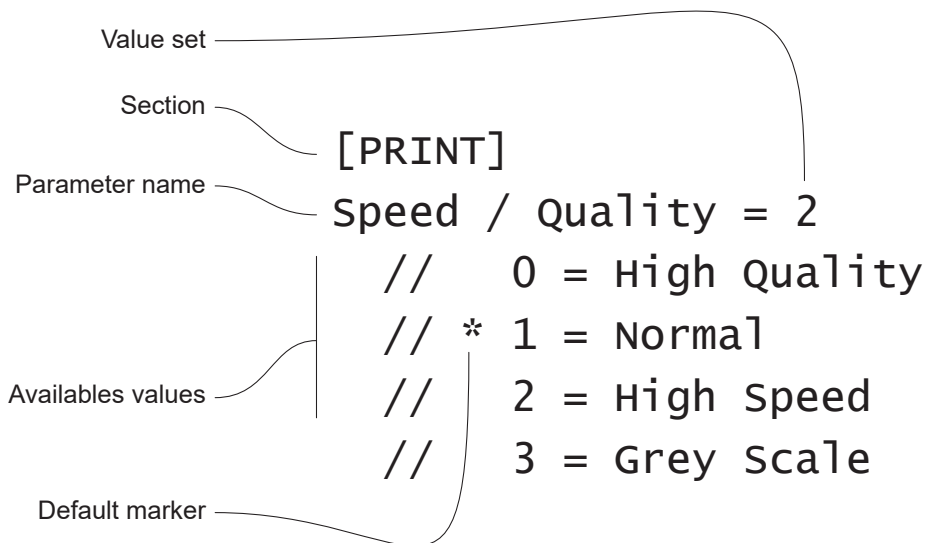
4



Enter the Flash drive of the device and edit the "Setup.ini" file.



The "Setup.ini" file is a configuration file that contains all the configurable parameters listed in text format and divided into some sections (indicated between square brackets). For each parameter, you find the parameter name followed by the value currently set and then the available values listed with a reference number. The reference number marked with the symbol ' * ' is the default one (see figure).



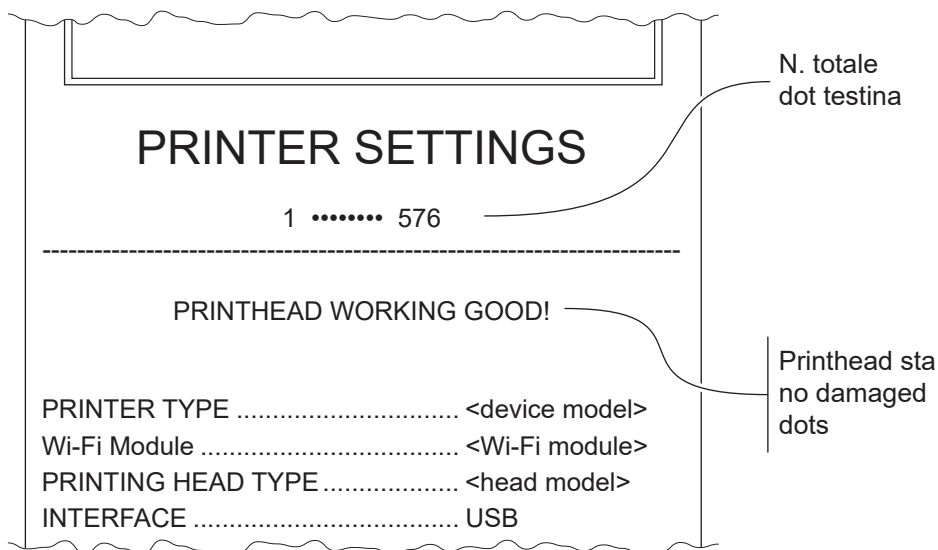
To modify the parameter, change the numeric value after the parameter name or use the default value by typing "D". After editing device's parameter, simply save the "Setup.ini" file to make the modifies activated. For a detailed description of the device operating parameters see the following paragraphs.

ATTENTION:

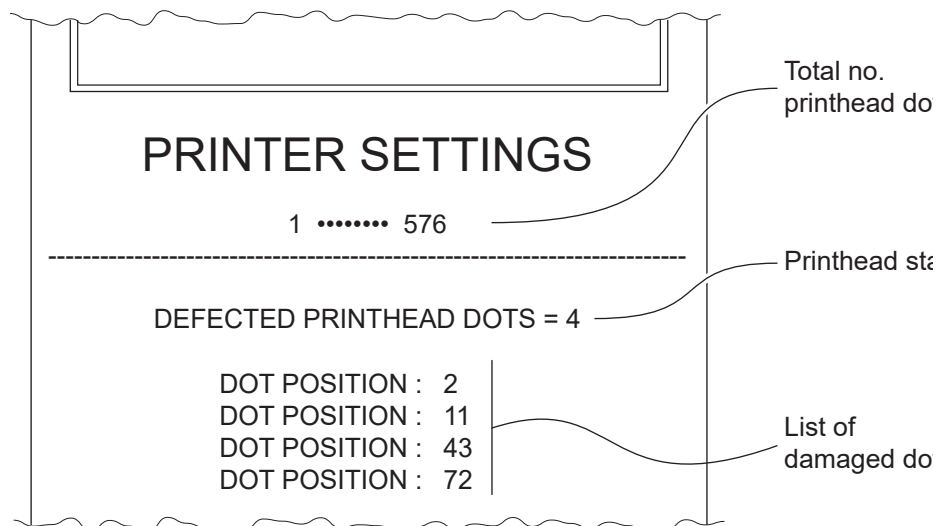
The change of value for the "USB Class" parameter may compromise the access to the Setup.ini file. Be careful to keep the "Mass Storage" value to allow a new access to the Flash Drive.

6.4 Printhead status

The device performs the printhead operating status when printing the setup report. The total number of dots is reported. Are indicated the total dots number of the printhead and their status (see figure below).



In case of damaged dots, these are listed in the print out in according to their position on the heating line (see figure below).





6.5 Device status

The device operating status is indicated in the configuration print-out in which, next to the name of the components displayed, the following information is given:

PRINTER TYPE	device model
WI-FI MODULE *	Wi-Fi module
PRINTING HEAD TYPE	print head model
INTERFACE	interface present
ETHERNET TYPE	ethernet connector present
PROGRAM MEMORY TEST	OK appears if functioning and NOT OK if faulty
DYNAMIC RAM TEST	OK appears if functioning and NOT OK if faulty
EXTERNAL MEMORY TEST	OK appears if functioning and NOT OK if faulty
CUTTER TEST	OK appears if functioning and NOT OK if faulty
HEAD VOLTAGE	voltage of the head
HEAD TEMPERATURE	temperature of the head
POWER ON COUNTER	number of power-ups made
PAPER PRINTED	centimetres of paper printed
CUT COUNTER	number of cuts performed

NOTES* :
Only for K3 Wi-Fi and K3 BT models.



6.6 Communication parameters

The device allows the configuration of the parameters listed in the following table.

The parameters marked with the symbol [Ⓓ] are the default values.

Settings remain active even after the device has been turned off and they are stored in non-volatile memory.

RS232 BAUD RATE	Communication speed of the serial interface: 9600 57600 19200 115200 [Ⓓ] 38400 Parameter valid only with serial interface.
RS232 DATA LENGTH	Number of bit used for characters encoding: 7 bits/car 8 bits/car [Ⓓ] Parameter valid only with serial interface.
RS232 PARITY	Bit for the parity control of the serial interface: None [Ⓓ] = parity bit omitted Even = even value for parity bit Odd = odd value for parity bit Parameter valid only with serial interface.
RS232 HANDSHAKING	Handshaking: Xon/Xoff = software handshaking Hardware [Ⓓ] = hardware handshaking (CTS/RTS) Parameter valid only with serial interface. When the receive buffer is full, if handshaking is set to XON/XOFF, the device sends the XOFF (0x13) on the serial port. When the receive buffer has cleared once again, if handshaking is set to XON/XOFF, the device sends the XON (0x11) on the serial port.
BUSY CONDITION	Activation mode for the Busy signal: OffLine/ RxFull = Busy signal is activated when the device is both in OffLine status and the buffer is full RxFull [Ⓓ] = Busy signal is activated when the buffer is full Parameter valid only with serial interface.
USB ADDRESS NUMBER	Numerical address code for the univocal identification of the USB device (in case of more than a USB device connected with the same PC): 0 [Ⓓ] 2 4 6 8 1 3 5 7 9



USB CLASS	USB communication class definition. Printer ^D = setting the printer function Mass Storage = setting the sharing mode from Mass Storage Virtual COM = setting the USB port as a serial port
DHCP CLIENT	Setting of the DHCP protocol: Disabled ^D = protocol disabled Enabled = protocol enabled When “DHCP Client” is disabled, the IP that is set will be used by both network interfaces.
IP ADDRESS	IP address of device; this parameter is assigned by the network administrator. This parameter can't be modified by setup.
SUBNET MASK	IP address of device; this parameter is assigned by the network administrator. This parameter can't be modified by setup.
DEFAULT GATEWAY	This parameter identifies the Gateway IP address used to send applications to the external network. This parameter can't be modified by setup.
TCP PRINTER PORT	This parameter sets the TCP port number. This parameter is not printed on setup report and it is modifiable only during setup procedure by file (see paragraph 6.3).
MAC ADDRESS ETHERNET	This is the number, provided by the constructor, that identifies the device; this number is univocal. This parameter is not modifiable by setup.
WIRELESS	Activation of the Bluetooth or Wi-Fi communication: OFF ^D Wi-Fi Bluetooth
PRINTER ID	Printer identifier. The parameter is printed only for K3 BT model.



AUTORECONNECT

Setting the automatically connection function.

Disabled ^D = “AutoReconnect” function disabled. It is necessary to perform pairing between printer and Bluetooth device whenever the communication is interrupted. (power off, standby, etc.).

Enabled = “AutoReconnect” function enabled. The printer automatically attempts to restore the connection with the last device connected whenever the communication is interrupted (power off, standby, etc.). Before enabling this function, you must perform the pairing between the bluetooth device and printer at least once.

The parameter is printed only for K3 BT model.

PAIRING

Setting the paring function for the Bluetooth (pairing) devices.

Disabled ^D = pairing function disabled. No PIN is requested to make association

Enabled = pairing function enabled. It is necessary to enter a PIN to perform pairing (refer to “Pairing pin” parameter of printer setup = 1234).

This parameter can't be modified by setup. The parameter is printed only for K3 BT model.

SECURITY TYPE

Security Protocol:

None ^D = protocol disabled

WPA = WPA protocol enabled

WPA2 = WAP2 protocol enabled

This parameter can't be modified by setup.

SSID

IP address of Wi-Fi; this parameter is assigned by the network administrator.

This parameter can't be modified by setup.

PASSWORD

This is the number, provided by the constructor, that identifies the device; this number is univocal.

This parameter can't be modified by setup. The parameter is printed only for K3 BT model.

TPC TIMEOUT (x 10 sec)

Wi-Fi inactivity timeout (default 300 seconds).

**MAC ADDRESS
Wi-Fi**

This is the number, provided by the constructor, that identifies the device; this number is univocal.

This parameter can't be modified by setup.

ATTENTION:

Any changes to network parameters will interrupt browser connection. If the server not responding you must reconnect to the new IP address set.

NOTE:

Wi-Fi network WEP keys only accept ASCII encoding and not HEXADECIMAL encoding.



6.7 Operating parameters

The device allows the configuration of the parameters listed in the following table. The parameters marked with the symbol ^D are the default values. Settings remain active even after the device has been turned off and they are stored in non-volatile memory.

PRINTER EMULATION	Available emulations for the device: CUSTOM/POS ^D																		
PRINT MODE	Printing mode: Normal ^D = enables printing in normal writing way Reverse = enables printing rotated 180 degrees																		
CHARS / INCH	Font selection: A = 11 cpi, B = 15 cpi A = 15 cpi, B = 20 cpi ^D A = 20 cpi, B = 15 cpi CPI = Characters Per Inch																		
CODE TABLE [num]	Identifier number of the character code table to use. See paragraph 9.6 to learn about the character tables corresponding to the identification numbers set with this parameter. The character tables set with this parameter are the same set with the command 0x1B 0x74 (refer to the commands manual of the device). The numeric value of the identifier is made up with the following two parameters for the setting of two digits for the tens and the units:																		
	<table border="0"> <tr> <td></td> <td colspan="3">Setting the digit for tens:</td> </tr> <tr> <td>CODE TABLE [num x 10]</td> <td>0 ^D</td> <td>2</td> <td>4</td> </tr> <tr> <td></td> <td>1</td> <td>3</td> <td>5</td> </tr> </table>		Setting the digit for tens:			CODE TABLE [num x 10]	0 ^D	2	4		1	3	5						
	Setting the digit for tens:																		
CODE TABLE [num x 10]	0 ^D	2	4																
	1	3	5																
	<table border="0"> <tr> <td></td> <td colspan="5">Setting the digit for units:</td> </tr> <tr> <td>CODE TABLE [num x 1]</td> <td>0 ^D</td> <td>2</td> <td>4</td> <td>6</td> <td>8</td> </tr> <tr> <td></td> <td>1</td> <td>3</td> <td>5</td> <td>7</td> <td>9</td> </tr> </table>		Setting the digit for units:					CODE TABLE [num x 1]	0 ^D	2	4	6	8		1	3	5	7	9
	Setting the digit for units:																		
CODE TABLE [num x 1]	0 ^D	2	4	6	8														
	1	3	5	7	9														
FONT TYPE	Setting of the font type: International ^D Chinese GB 18030 When the chinese font is enabled, the selection of the character code table is suspended ("Code table" parameter). When the Chinese fonts is disabled, it returns the character code table previously in use ("Code table" parameter).																		



SPEED / QUALITY	Setting of printing speed and printing quality: Normal ^D High Quality High Speed Gray scale
------------------------	--

PRINT WIDTH	Width of printing area: 50mm [58 PaperW] 54mm [60 PaperW] 72mm[80 PaperW] ^D
--------------------	--

PAPER THRESHOLD	Threshold value (in percent) for the recognition of the presence of paper by the paper presence sensor: 30% 60% 90% 40% ^D 70% 50% 80%
------------------------	--

TOTAL CUT	Sets the behavior of the cutter when the total cut command 0x1B 0x69 (ESC i) is sent: Disabled = The total cut command 0x1B 0x69 (ESC i) will be ignored and the device executes a partial cut Enabled ^D = The total cut command 0x1B 0x69 (ESC i) will be executed.
------------------	---

PAPEREND BUFFER CLEAR	Cleaning mode of the data in receive buffer, if the printing is stopped due to lack of paper: Disabled ^D = The data remain in the receive buffer. When the paper runs out, the device keeps the remaining data in the receive buffer and prints the remaining portion of the ticket after that the new paper is loaded. Enabled = When the paper runs out, all data in the receive buffer are deleted.
------------------------------	---

PRINTHEAD TEST POWERON	Setting of the performing of the print head test: Disabled ^D = the test is performed only during the printing of the setup report Enabled = the test is performed at each power on
-------------------------------	---

DATA LOGGER	Setting of the data logger function on the LOG folder on the Flash memory: Disabled ^D = data logger function disabled Text = the printed text is stored in .txt file Graphic = the printed graphic is stored in .bmp file Text + Graphic = both text and graphic are stored in .txt and .bmp files The name of the first text file stored will be "00000001.txt"; the name of the first graphic file stored will be "00000001.bmp"; the file number is incremented automatically, when there is no more space, the oldest files are deleted.
--------------------	--



LINE SPACE REDUCTION Reduction value of line spacing (vertical distance between the base line of a row and the next one). Recommended to reduce paper consumption.

Disabled ^D
25%
50%
75%

LINE FEED REDUCTION Reduction value for the distance of paper feed. Recommended to reduce paper consumption.

Disabled ^D
25%
50%
75%

BARCODE HEIGHT REDUCTION Reduction value for the height of the barcode printed. Recommended to reduce paper consumption.

Disabled ^D
25%
50%
75%

AUTO COVER OPEN Setting the automatic cover opening function as the paper roll runs out.

Enabled ^D
Disabled

POWER MANAGEMENT Setting the device power management

Disabled ^D = switch on depends on the ON/OFF. key
RS232/USB = switch on occurs via RS232/USB communication

PRINT DENSITY Adjusting the printing density:

-50%	-12%	+25%
-37%	0 ^D	+37%
-25%	+12%	+50%

The print quality is strongly influenced by the type of chemical treatment and the type of storage to which the thermal paper has been subjected, as well as by the weight of the same. It may therefore necessary to act on this parameter to obtain the desired print quality.

6.8 Alignment parameters

The device allows the configuration of the parameters listed in the following table.

The parameters marked with the symbol ^D are the default values.

Settings remain active even after the device has been turned off and they are stored in non-volatile memory.

BLACK MARK POSITION	Position of the alignment black mark and choice of appropriate black mark sensor: Disabled ^D = the black mark alignment is not performed Top = the black mark position is detected by the upper sensors aimed to the non-thermal side of the paper (reflection) Bottom = the black mark position is detected by the lower sensor aimed to the thermal side of the paper (reflection) Transparent = the black mark is detected by the lower sensor and the upper sensor placed in front of (transparence)
	NOTE: The value “Top” can be enabled only in presence of the system with three top sensors (optional). If the device is equipped with the optional mobile sensor and the value “Bottom” is enabled, the following happens: the fixed sensor takes care of detecting the paper presence and the mobile sensor takes care of detecting the black mark (see chapter 7).
BLACK MARK THRESHOLD	Threshold value (in percent) for the recognition of the presence of black mark by the black mark sensor: 30% 60% 90% 40% ^D 70% 50% 80%
	If the “Black mark position” parameter is set to “Disabled”, this parameter has no effect on the device configuration and is not printed on the setup report.



BLACK MARK DISTANCE

“Black mark distance” is the minimum distance (in millimetres) between the upper edge of ticket and the black mark (see [chapter 7](#)).

If the “Black mark position” parameter is set to “Disabled”, this parameter has no effect on the device configuration and is not printed on the setup report.

The numeric value of the distance is made up with the following four parameters for the setting of three digits (two for the integer part of the number, one for the decimal part and of the sign):

	Sign setting:				
BLACK MARK DISTANCE SIGN	+ ^D	=	positive distance		
	-	=	negative distance		

	Setting the digit for tens:				
BLACK MARK DISTANCE [mm x 10]	0 ^D	2	4	6	8
	1	3	5	7	9

	Setting the digit for units:				
BLACK MARK DISTANCE [mm x 1]	0 ^D	2	4	6	8
	1	3	5	7	9

	Setting the digit for decimals:				
BLACK MARK DISTANCE [mm x .1]	0 ^D	2	4	6	8
	1	3	5	7	9



6.9 Hexadecimal dump

This function is used for the diagnosis of the characters received from the communications port. Characters are printed as hexadecimal code and the corresponding ASCII code (see below). Each line is preceded by a counter in hexadecimal that indicates the number of bytes received.

During the startup, if you hold down the FEED key, the printer enters the self-test routine and print the setup report. The printer remains in standby until a key is pressed or characters are received through the communication port (Hexadecimal Dump mode). For each character sent, the receipt contain an indication of the hexadecimal and ASCII values (if the characters are underlined, the receive buffer is full). Shown below is an example of a Hexadecimal Dump:

```

                                HEXADECIMAL DUMP

31 32 33 34 35 ...      12345 ...
39 30 31 32 33 ...      90123 ...
37 38 39 75 69 ...      789ui ...
68 6B 6A 73 64 ...      hkjsd ...
73 64 66 6B 6A ...      sdfkj ...
66 73 64 66 6B ...      fsdfk ...
65 69 6F 79 75 ...      eioyu ...
6F 72 69 75 77 ...      oriuw ...
6F 75 77 65 72 ...      ouwer ...
77 65 72 69 6F ...      werio ...
72 69 6F 75 77 ...      riouw ...
6B 6C 73 64 66 ...      klsdf ...
64 66 6B 73 64 ...      dfksd ...
73 64 66 6B 6A ...      sdfkj ...
66 6B F2 6A 73 ...      fk>j ...
6A 6B 6C 68              jklh
```





7 ALIGNMENT

Device is provided with sensors for the use of alignment black mark in order to handle:

- roll of tickets with pre-printed fields and a fixed length;
- Fan-fold of tickets with pre-printed fields and a fixed length.

The black mark alignment may be formed by

- black mark printed on paper (see [paragraph 9.5](#));
- hole between two tickets (see [paragraph 9.5](#));

All alignment sensors are “reflection” sensors: this kind of sensor emits a band of light and detects the quantity of light reflected to it. The presence of the black mark is therefore detected by the amount of light that returns to the sensor, considering that the light is reflected by the white paper and absorbed by the black mark.

To use tickets with holes, it is possible to use the same sensors as “transparence” sensors, coupled two by two: a beam of light is emitted by the transmitter sensor and the quantity of light which reaches the opposite receiver sensor is detected. The presence of the hole is detected evaluating the amount of light that arrives to the opposite sensor, considering that the paper doesn't allow the beam of light to reach the receiver, whereas a hole lets the light to reach the receiver.

The following paragraphs show how to correctly set the configuration parameters of device in order to assure the alignment.

7.1 Enable alignment

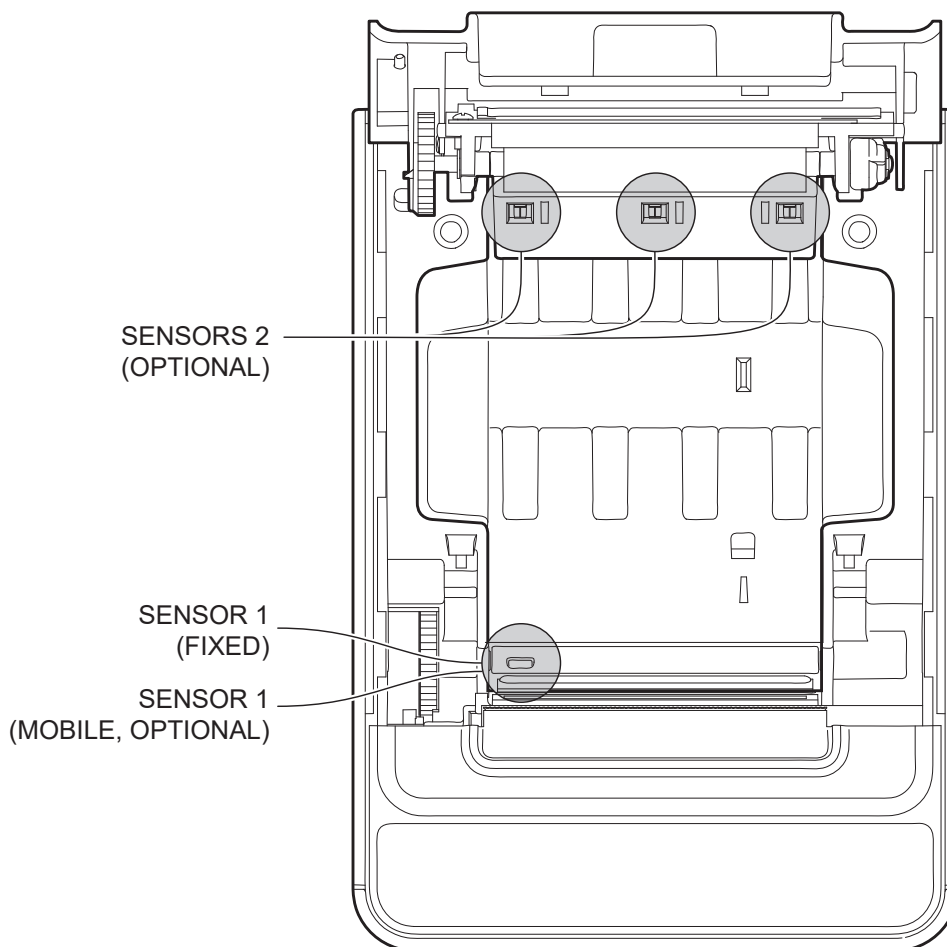
Device is provided with one, two or three sensors for alignment, placed as follows:

- one fixed sensor aimed to the thermal side of the paper.
- one mobile sensor (optional) aimed to the thermal side of the paper.
- a system with three sensors (optional) aimed to the non-thermal side of the paper.

To guarantee the alignment, it is necessary to correctly choose the sensor to use for the black mark detection depending on the type of black mark and its location on the ticket.

To do this, you must enable the parameter “Black Mark Position” during the setup procedure (see [chapter 6](#)) and set the correct value of this parameter as described in the following table.

SENSOR USED (see following figures)	VALUE OF THE “BLACK MARK POSITION” PARAMETER	USING MODE OF SENSORS	BLACK MARK TYPE
-	Disabled	-	Alignment disabled
1	Bottom	Reflection	Black mark printed on the thermal side of paper
2	Top	Reflection	Black mark printed on the non-thermal side of paper
1 + 2	Transparence	Transparence	Hole between tickets



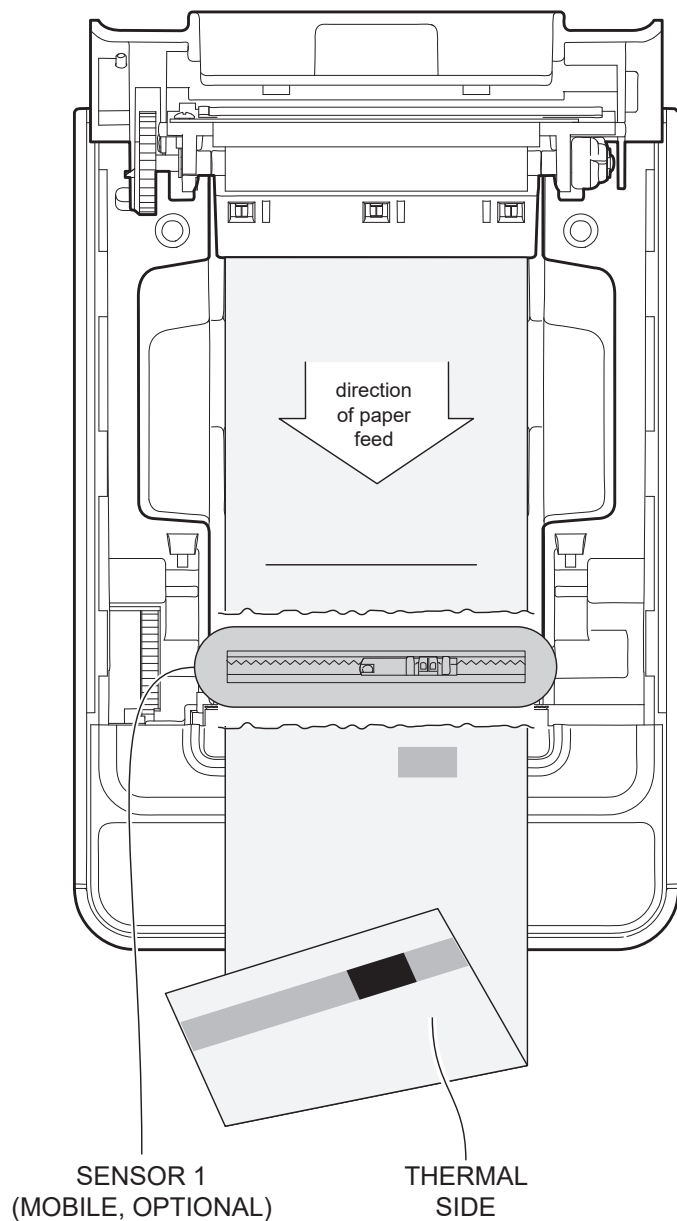
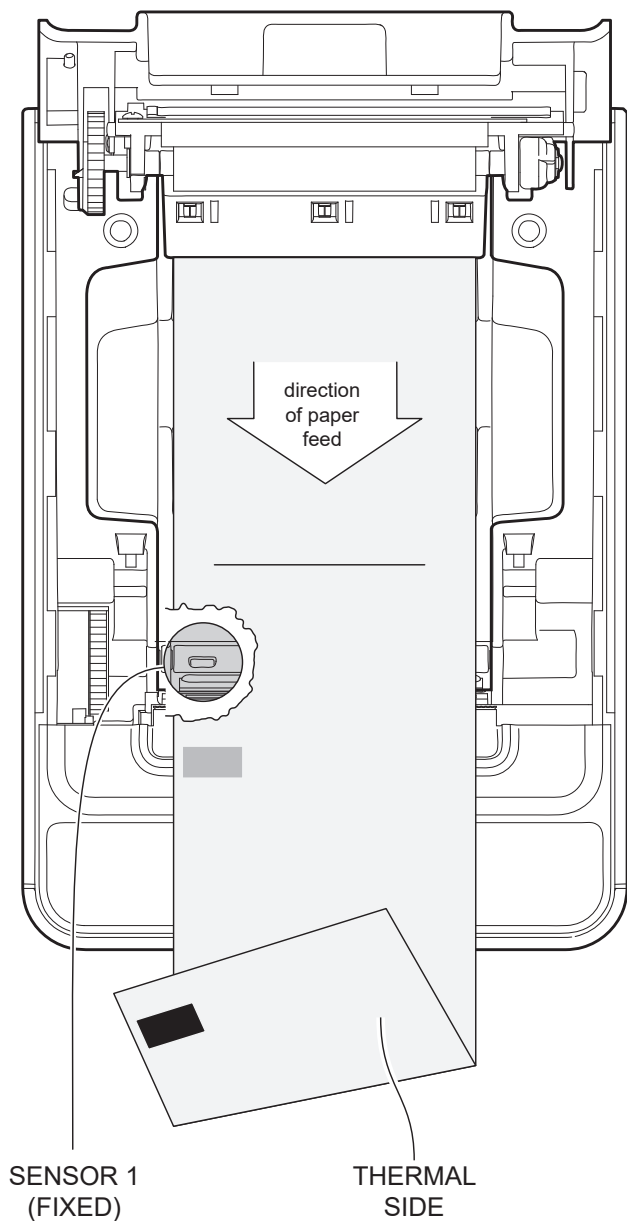
The following figures show the usable format of paper and the corresponding sensors used for alignment:



Paper with black mark on the thermal side

In the standard model the detection of black mark and paper presence is performed by the fixed sensor.

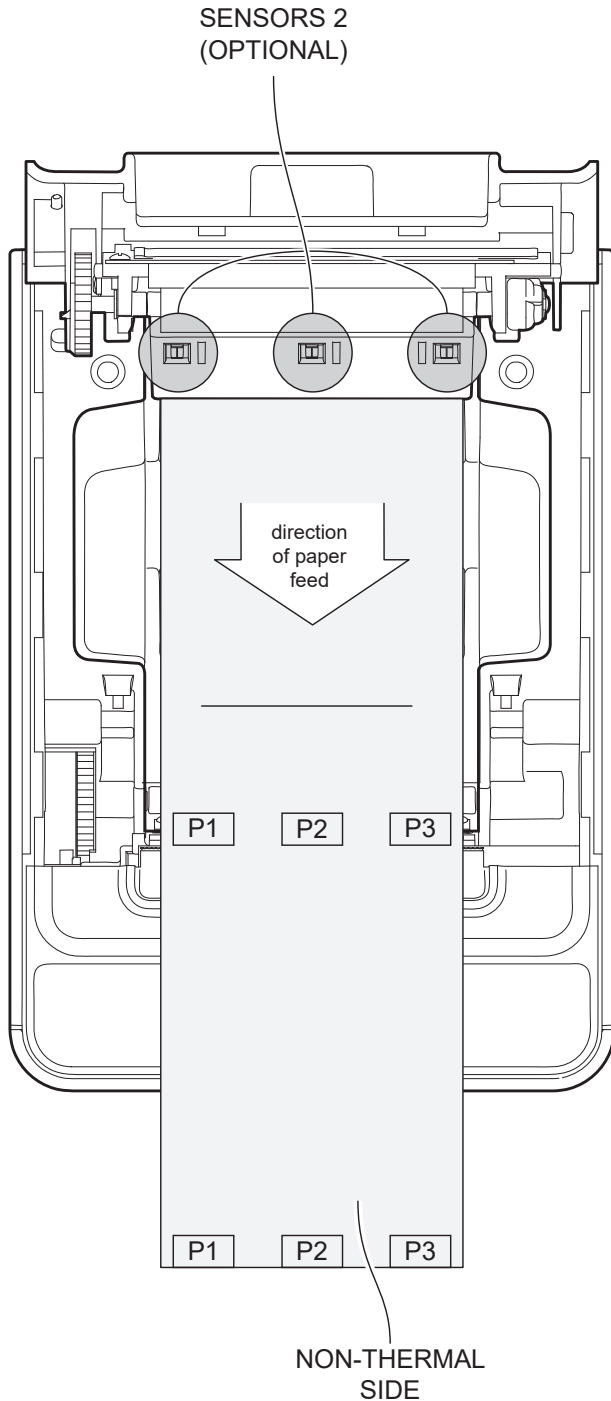
In the model with mobile sensor (optional) detecting the presence of paper is executed by the fixed sensor while the black mark detection is performed by the mobile sensor.





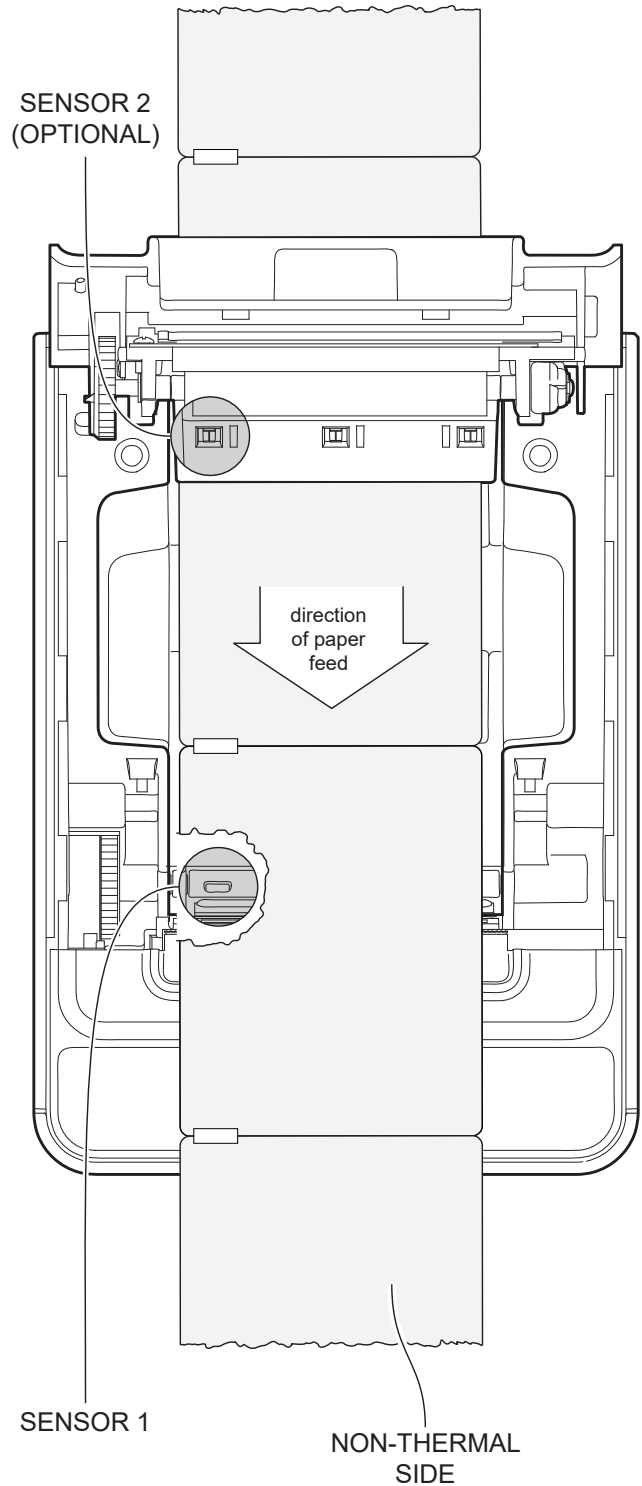
Paper with black mark on the non-thermal

The black mark can be placed in one of three zones shown. This configuration requires the system with three sensors (optional).



Tickets with hole

This configuration requires the system with three sensors (optional).



7.2 Calibration

The sensor calibration occurs automatically and consists in adjusting the quantity of light emitted to match the degree of whiteness of the paper used and the degree of black of the mark printed on paper.

The device automatically performs the self-calibration during the setup procedure only if the “Black Mark Position” parameter is set to a value other than “Disabled” (see [chapter 6](#)).

When self-calibration starts, the device performs some paper feeds and then it prints the calibration result and the value of the PWM duty-cycle of the alignment sensor driver so that it can be perform an optimal black mark detection:

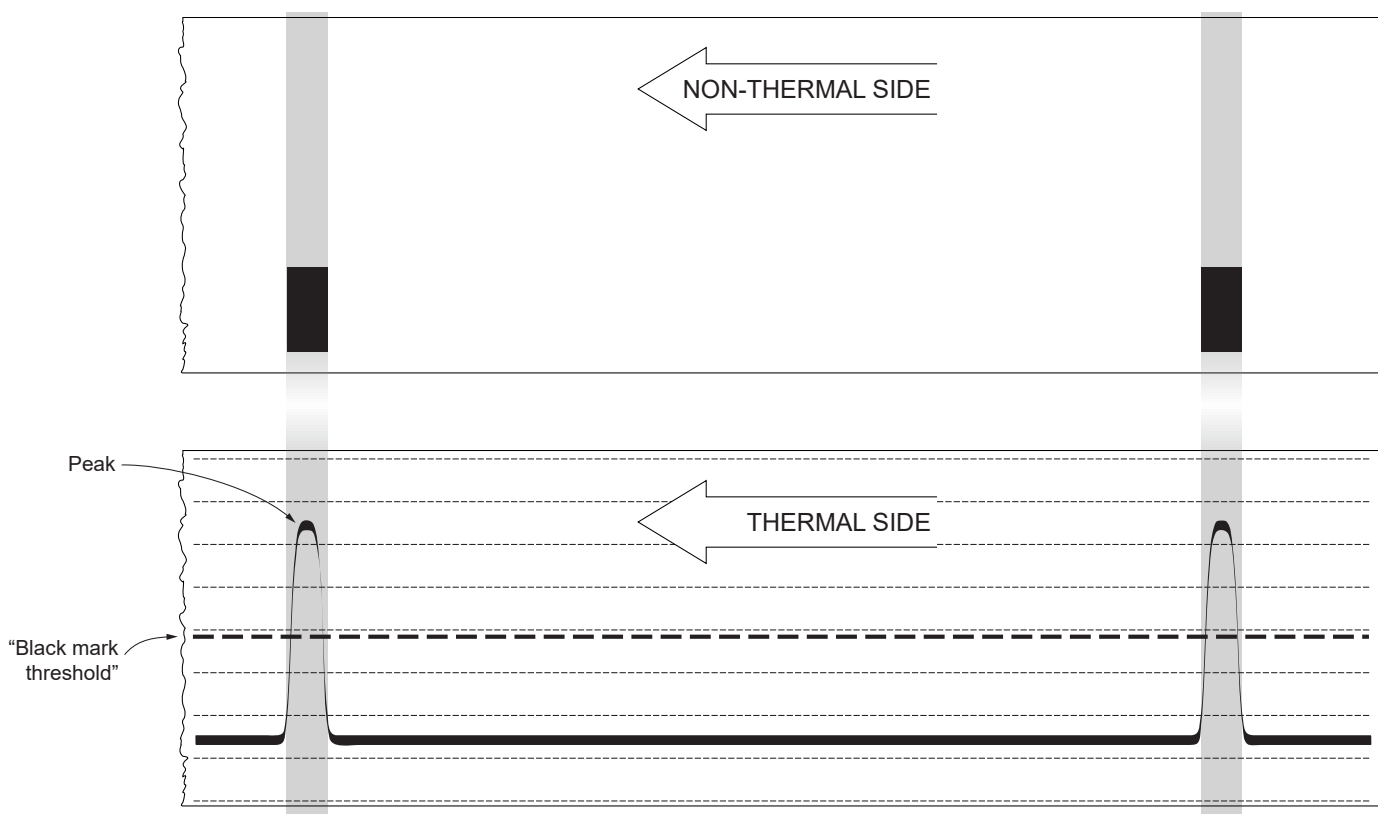
Autosetting black mark: OK
 PWM Duty Cycle: 85.3%

The “Autosetting Black Mark” parameter indicates the result of the self-calibration procedure; OK will appear if it has been successful, NOT OK will appear if the procedure has failed.

After the printing of the procedure result, the device offers the execution of the function of paper characterization “Characterize paper” and the change of the “Black Mark Threshold” parameter which represents the detection threshold of the black mark.

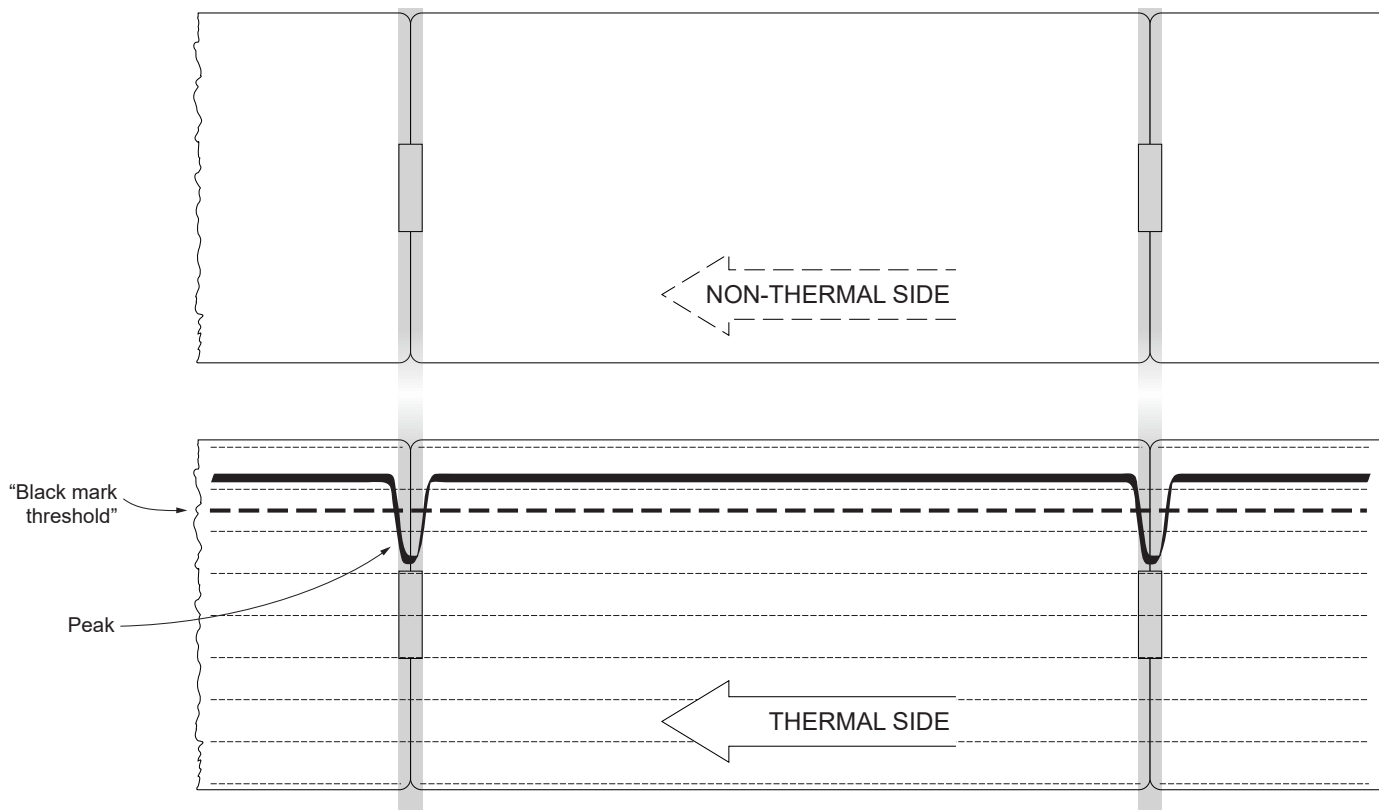
Choosing the “Yes” value for the “Characterize paper” parameter, the device prints a graphic representation (see following figures) of the outgoing voltage of the alignment sensor (expressed as a percentage) and the “Black Mark Threshold” value. This graphic representation is useful to set the most suitable value to assign to the “Black Mark Threshold” parameter and then to better identify the optimal threshold value which takes into account the variations of the signal and the small oscillations around zero.

The following figure shows an example of paper with the non-thermal paper printed with black marks: the outgoing voltage is constant while passing the white paper between two black marks and presents a peak at each black mark. In this case, the optimal value for the “Black Mark Threshold” parameter is placed about half of the peak.

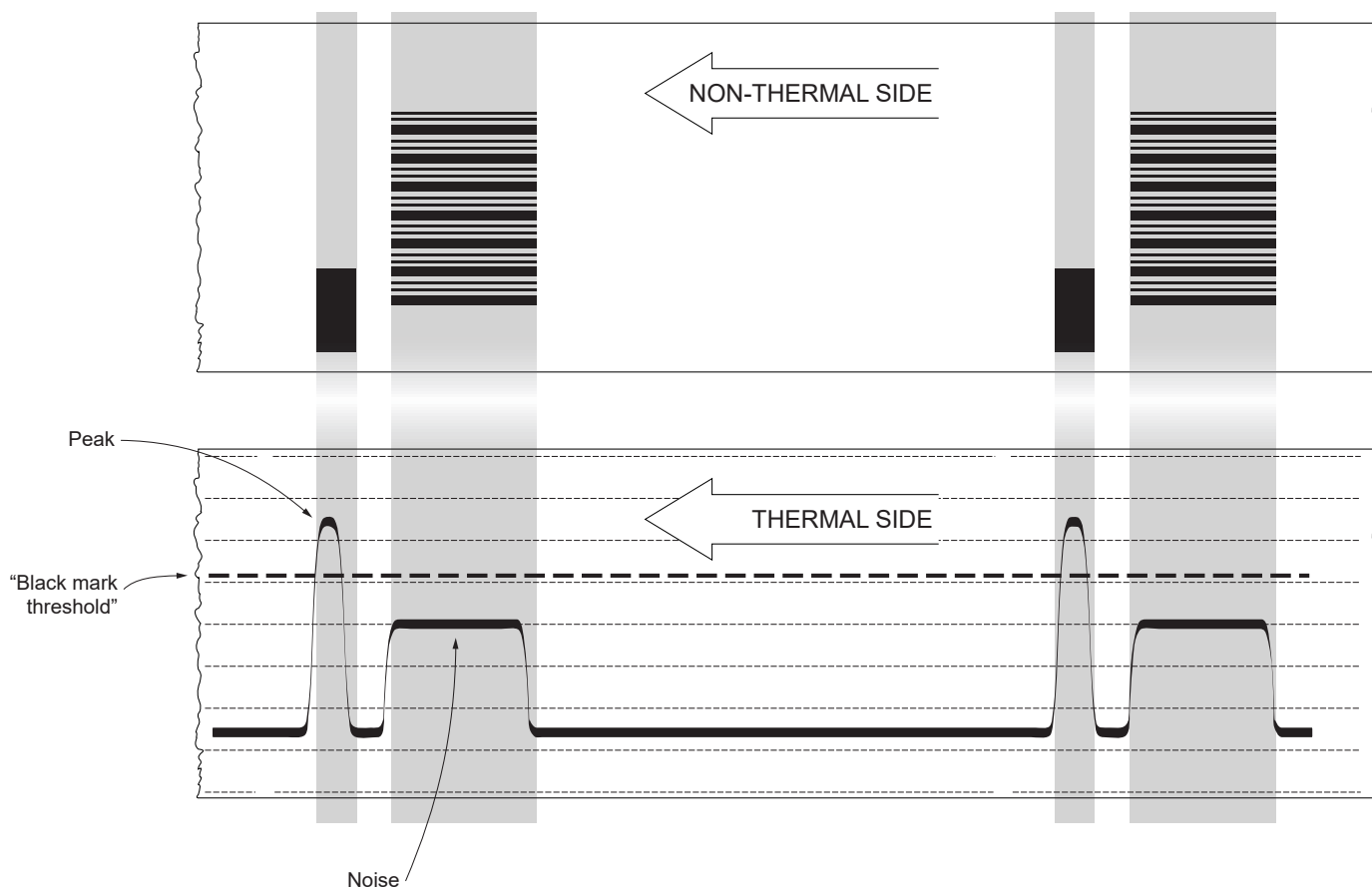




The following figure shows an example of paper with holes: the outgoing voltage is constant while passing the paper between two holes and presents a variation at each hole. In this case, the optimal value for the “Black Mark Threshold” parameter is placed about half of the variation.



The following figure shows an example of paper with the non-thermal paper printed with black marks and other graphics (for example, a barcode): the outgoing voltage is constant while passing the white paper between two black marks, presents a peak at each black mark and presents some “noise” at each barcode. In this case, the optimal value for the “Black Mark Threshold” parameter is located about halfway between the peak value and the maximum value of the “noise”.



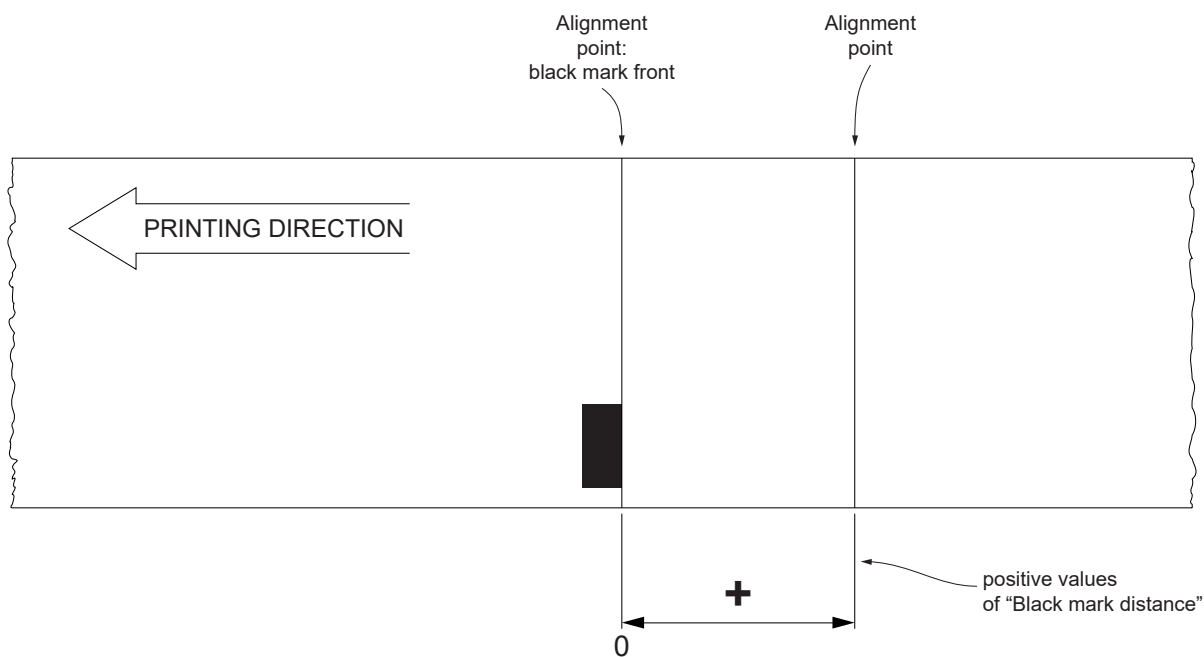
If the maximum value of “noise” read by the sensor is very close to the peak value, it might be difficult to place the value of the “Black Mark Threshold” at an intermediate point. In these cases, it is mandatory that the portion of paper between the point of printing end and the front black mark is completely white (no graphics). In this way, the only next graphic detected by the sensor for alignment after the printing end will be the black mark.

7.3 Alignment parameters

The “alignment point” is defined as the position inside the ticket to use for the black mark alignment. The distance between the black mark edge and the alignment point is defined as “Black mark distance”.

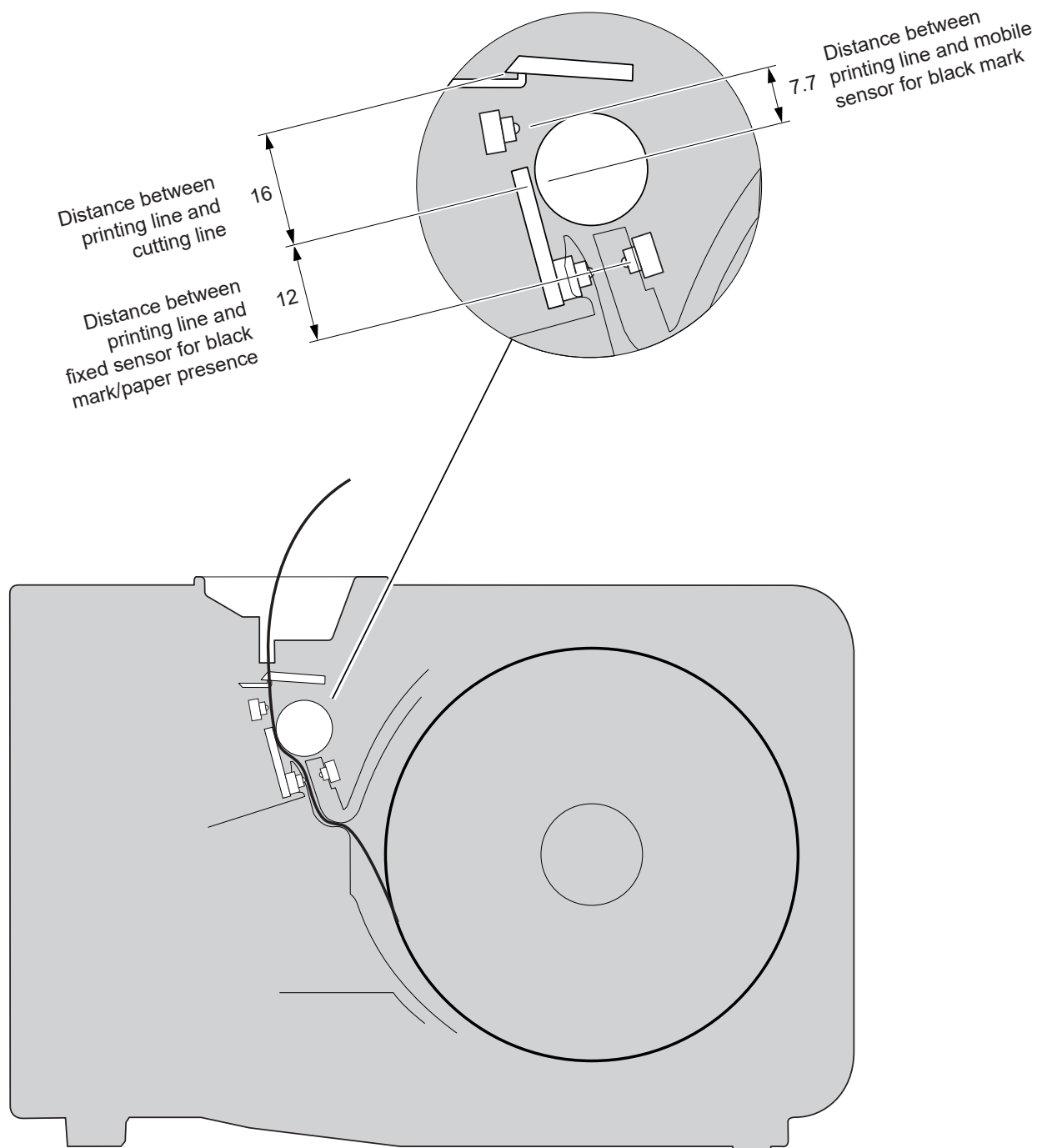
Referring to the front of the black mark, the value of “Black mark distance” value varies from 0mm minimum and 99.9 mm maximum.

If the “Black mark distance” value is set to 0, the alignment point is set at the beginning of the black mark.





The following figure shows a section of the device with the paper path and the distances (in millimetres) between the alignment sensor, the print head and the cutter (cutting line).





CUSTOM/POS EMULATION

To define the alignment point you need to set the device parameters that compose the numerical value of the “Black Mark Distance” parameter (see [paragraph 6.8](#)).

For example, to set a black mark distance of 15 mm between the black mark and the alignment point, the parameters must be set on the following values:

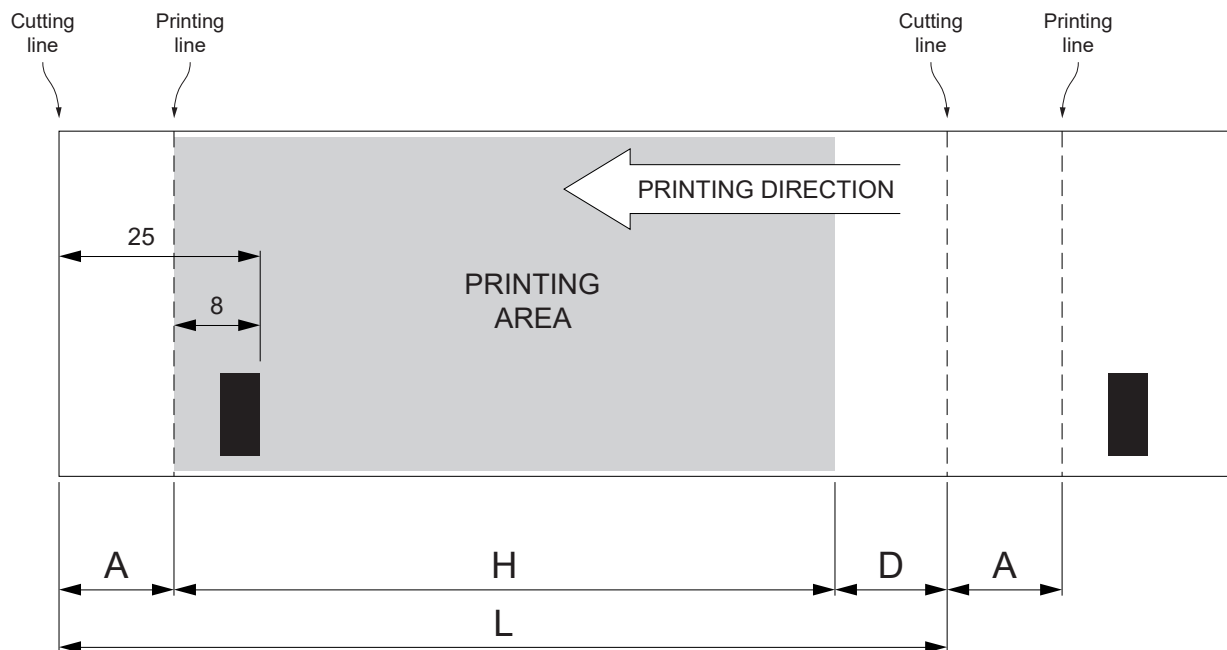
Black mark distance sign	:	+
Black mark distance [mm x 10]	:	1
Black mark distance [mm x 1]	:	5
Black mark distance [mm x .1]	:	0

The “Black Mark Distance” parameter can be modified as described in [chapter 6](#).

7.4 Printing area

In order to print ticket containing only one black mark and to not overlay printing to a black mark (that will make it useless for the next alignment), it is important to well calibrate the height of the printing area of ticket according to the inter-black mark distance.

The following figure shows an example of tickets with “Black mark Distance” set to 0:



A “Non-printable area” of 17 mm generated from:

“Distance between black mark front/cutting line” - “Distance between black mark front/printing line”

where:

“Distance between black mark front/cutting line” = 25 mm (fixed distance)

“Distance between black mark front/printing line” = 8 mm (fixed distance)

H Distance between the first and the last print line, called “Height of the printing area”.

L Ticket length.

D Automatic feed for alignment at the next black mark.

To use all the black marks on the card, you must comply with the following equation:

$$H + A \leq L$$

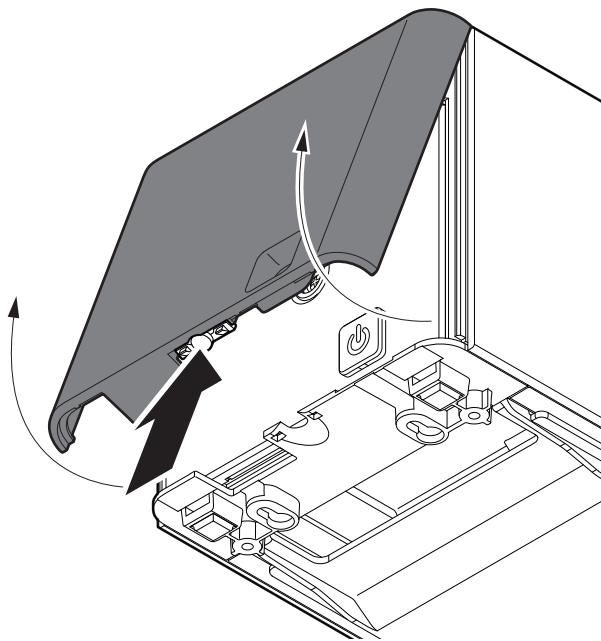
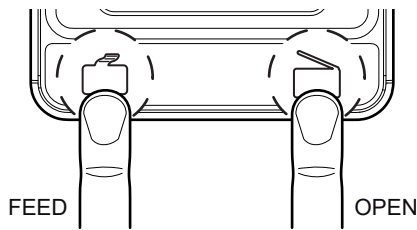
The height of the printing area (H) can be increased to make no progress on alignment (D) but no further.



8 MAINTENANCE

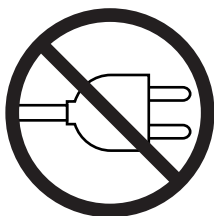
8.1 Autocutter paper jam

1



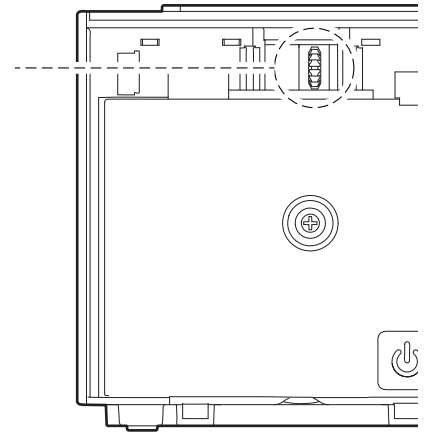
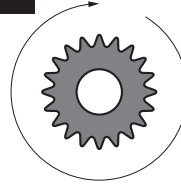
Press the FEED key and the OPEN key simultaneously to try to unlock the autocutter. If the autocutter did not unlock press the release button and remove the front cover.

2



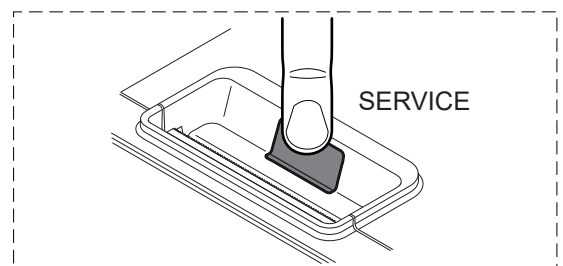
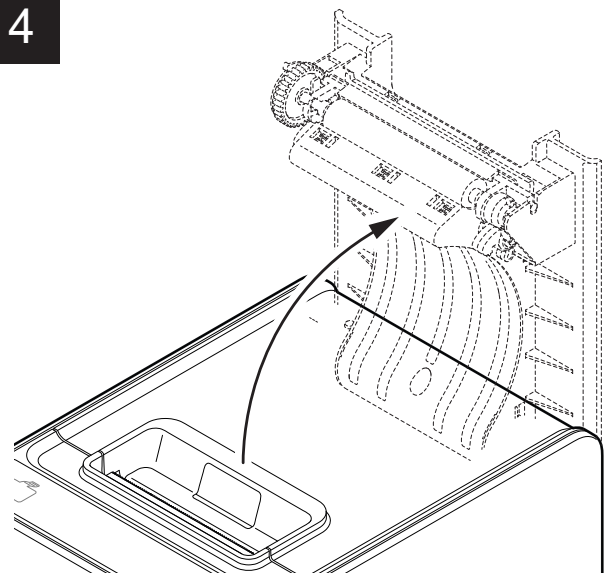
Disconnect the power supply.

3



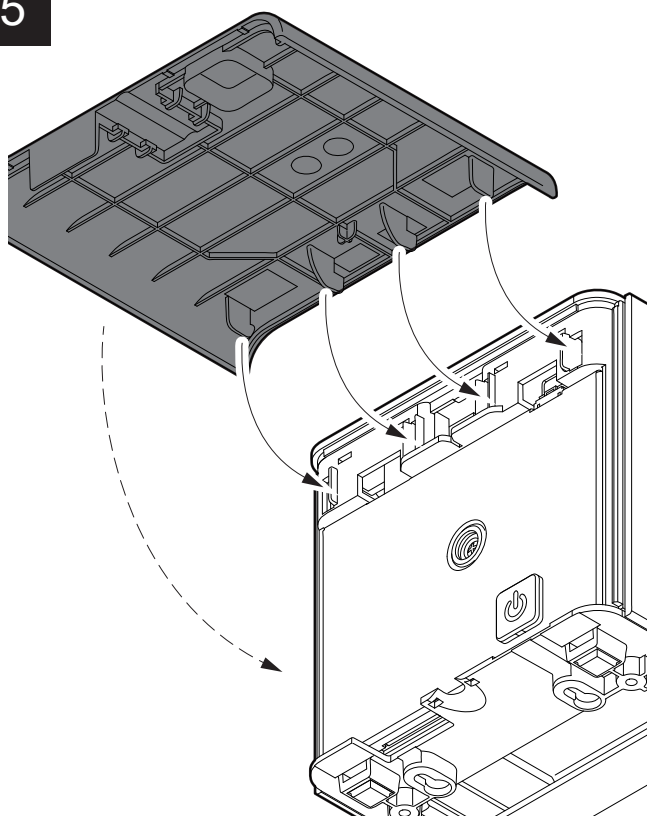
Rotate the gear in the direction with no resistance until the autocutter does not return to its initial position.

4



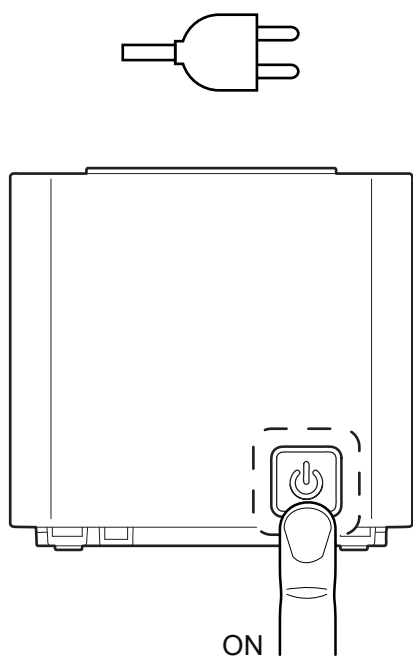
Press the service button and try to open carefully the device cover. If it opens, the autocutter is in the correct position.

5



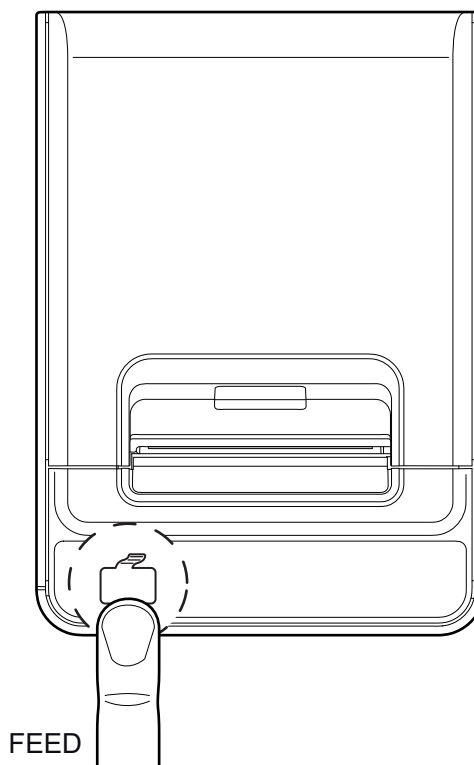
Reassemble the cover removed previously.

6



Connect the power supply and switch the device ON.

7



Press the FEED key to verify the proper functioning of the device.

8

www.CUSTOM4U.it

If the problem persists, please contact the customer service.



8.2 Planning of cleaning operations

The regular cleaning of the device keeps the print quality and extends its life.

The following table shows the recommended planning for the cleaning operations. If you use the device in dusty environments, you must reduce intervals between cleaning operations.

For specific procedures, see the following pages.

EVERY PAPER CHANGE	
Printhead	Use isopropyl alcohol
Platen roller	Use isopropyl alcohol
EVERY 5 PAPER CHANGES	
Autocutter	Use compressed air
Paper path	Use compressed air or tweezers
Sensors	Use compressed air
EVERY 6 MONTHS OR AS NEEDED	
Chassis	Use compressed air or a soft cloth
Display ⁽¹⁾	Use compressed air or a soft cloth

NOTE:

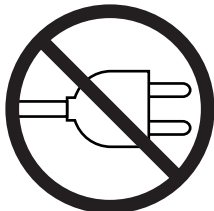
(1) : Only for K3 DSP.

8.3 Cleaning

For periodic cleaning of the device, see the instructions below

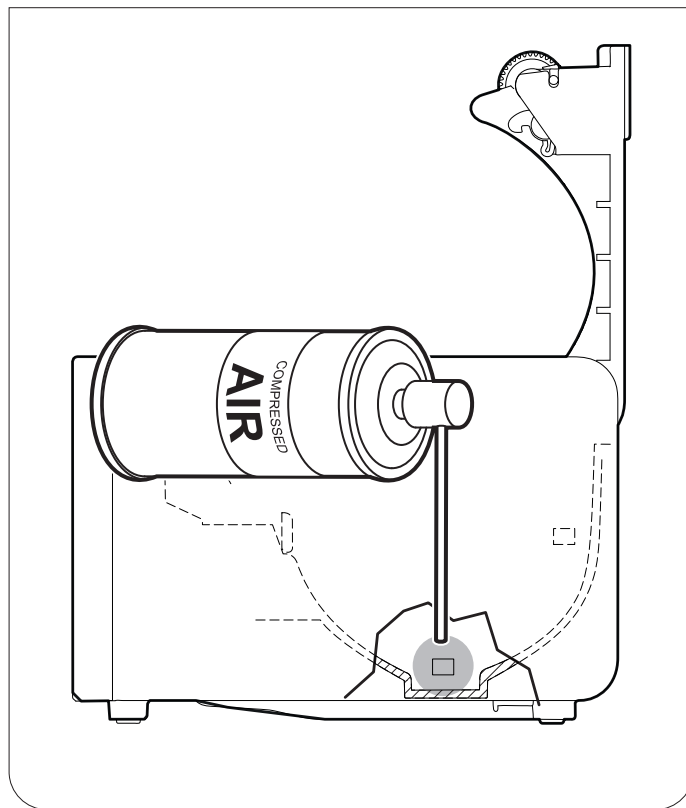
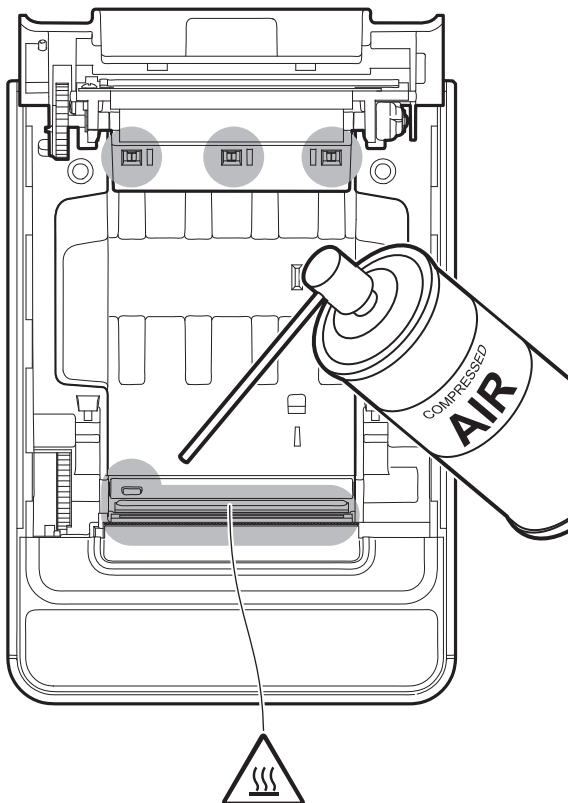
Sensors

1



Disconnect the power supply cable and open the device cover (see [paragraph 5.1](#)).

2



ATTENTION:

Do not use alcohol, solvents, or hard brushes.

Do not let water or other liquids get inside the machine.

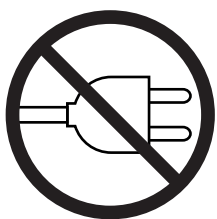
To remove paper scraps, use tweezers or compressed air.



Clean the device sensors
by using compressed air.

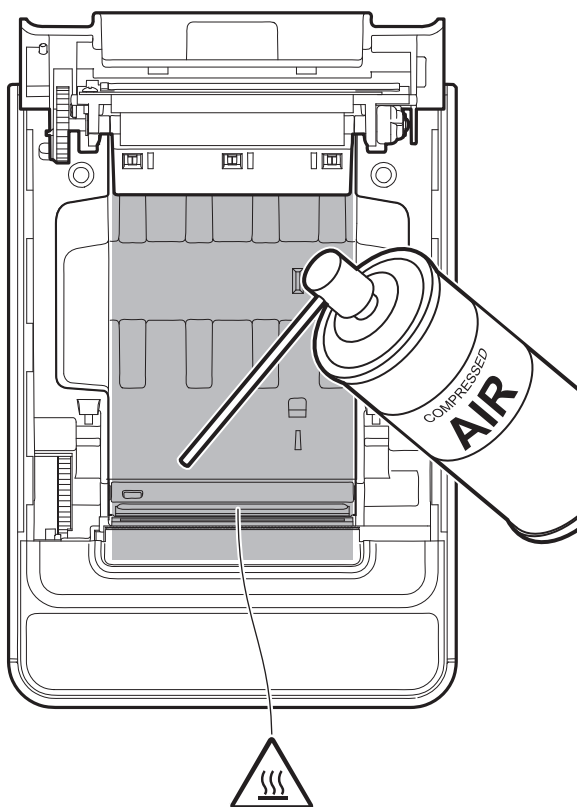
Paper path

1



Disconnect the power supply cable and open the device cover (see [paragraph 5.1](#)).

2



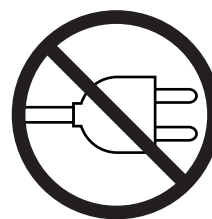
ATTENTION:
Do not use alcohol, solvents, or hard brushes.
Do not let water or other liquids get inside the machine.
To remove paper scraps, use tweezers or compressed air.



Clean the area involved in the passage of paper by using compressed air.

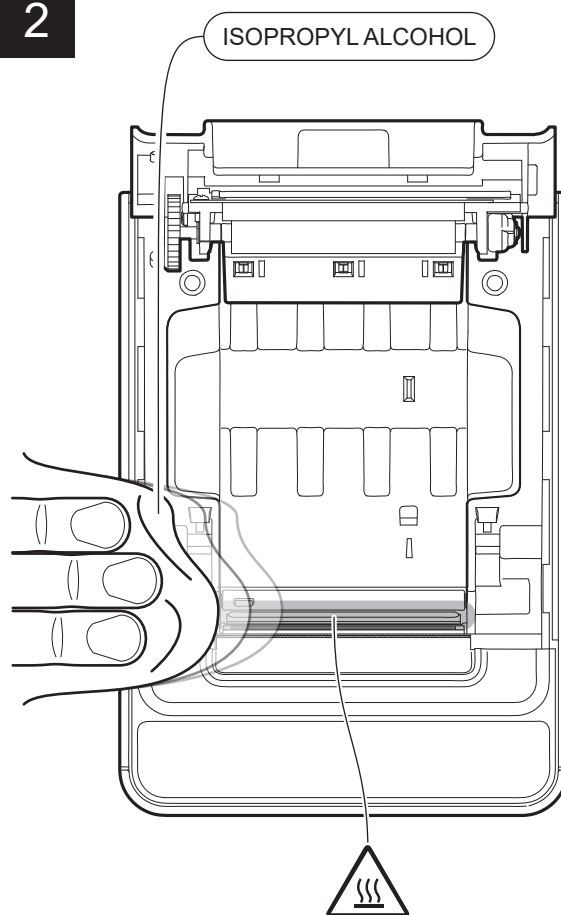
Printhead

1



Disconnect the power supply cable and open the device cover (see [paragraph 5.1](#)).

2



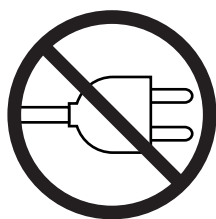
ATTENTION:
Do not use solvents, or hard brushes.
Do not let water or other liquids get inside the machine.
To remove paper scraps, use tweezers or compressed air.



Clean the printing head by using a non-abrasive cloth moistened with isopropyl.

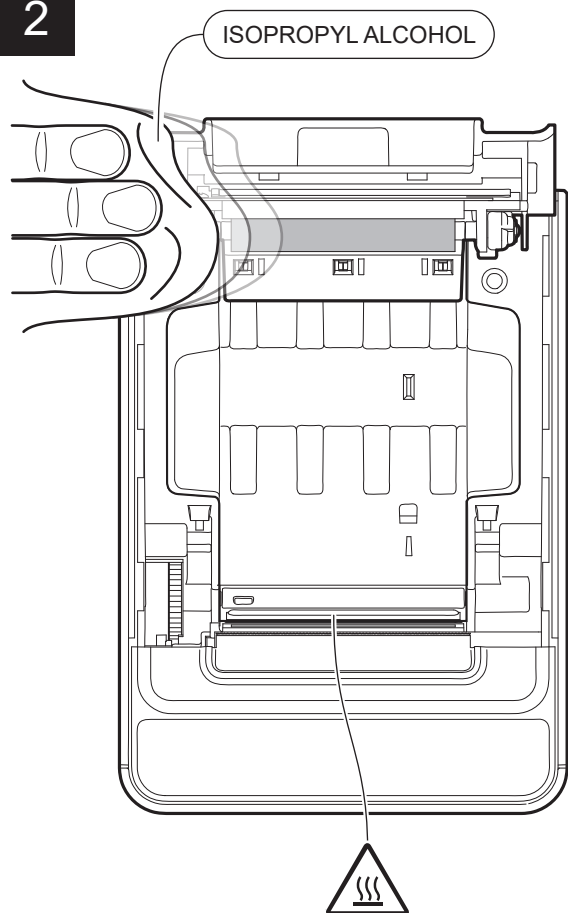
Platen roller

1



Disconnect the power supply cable and open the device cover (see [paragraph 5.1](#)).

2



ATTENTION:

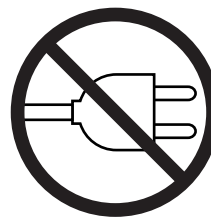
Do not use solvents, or hard brushes.
Do not let water or other liquids get inside the machine.
To remove paper scraps, use tweezers or compressed air.



Clean the platen roller by using a non-abrasive cloth moistened with isopropyl.

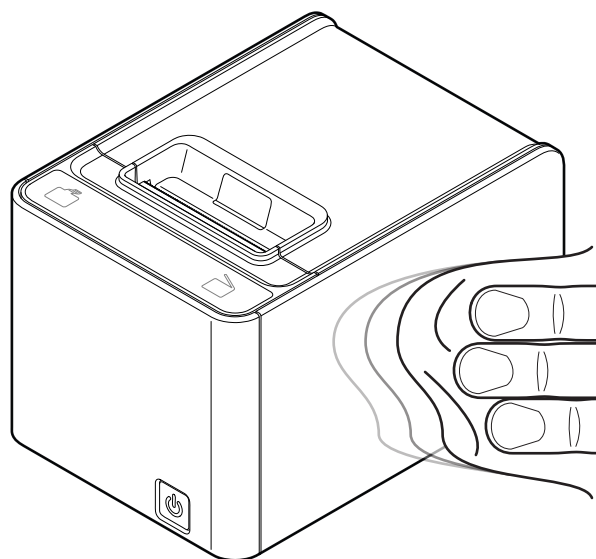
Chassis

1



Disconnect the power supply cable.

2



ATTENTION:

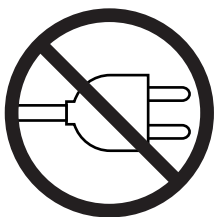
Do not use alcohol, solvents, or hard brushes.
Do not let water or other liquids get inside the machine.
To remove paper scraps, use tweezers or compressed air.



To clean the device, use compressed air or a soft cloth.

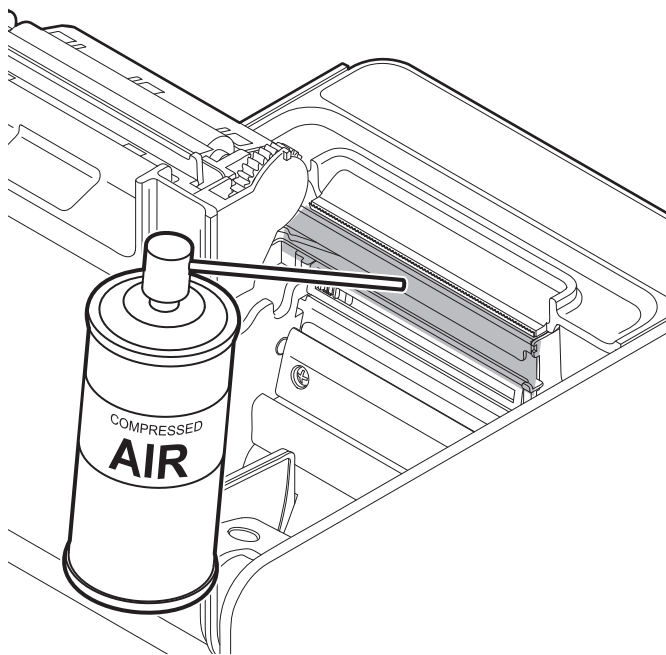
Autocutter

1



Disconnect the power supply cable and open the device cover (see [paragraph 5.1](#)).

2



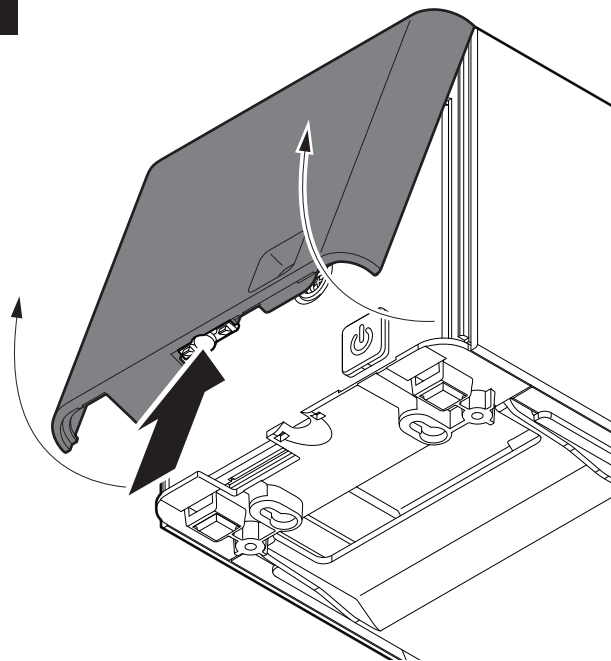
ATTENTION:

Do not use alcohol, solvents, or hard brushes.
Do not let water or other liquids get inside the machine.
To remove paper scraps, use tweezers or compressed air.



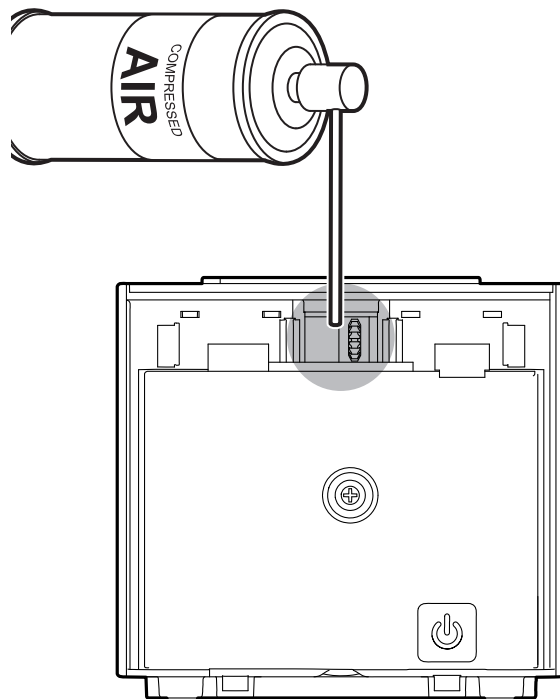
Clean the autocutter compartment from the inside using compressed air.

3



Press the release button and remove the front cover.

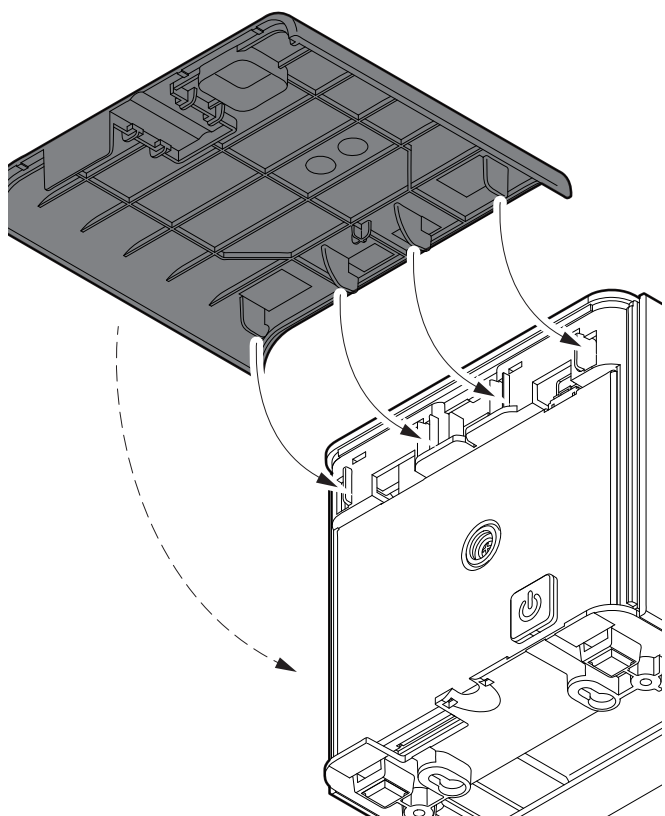
4



Clean the autocutter compartment from the outside using compressed air.

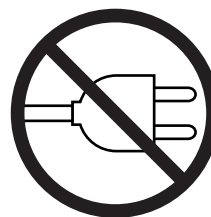
Display (K3 DSP)

5



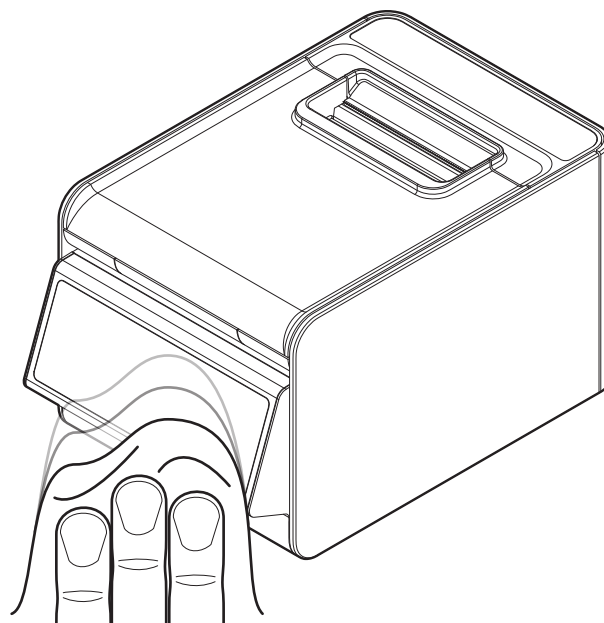
Reassemble the cover removed previously.

1



Disconnect the power supply cable.

2



ATTENTION:

Do not use alcohol, solvents, or hard brushes.
Do not let water or other liquids get inside the machine.
To remove paper scraps, use tweezers or compressed air.



To clean the display,
use compressed air or a soft cloth.

8.4 Firmware upgrade

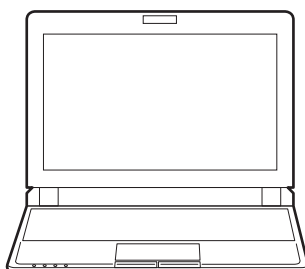
Firmware upgrade can be performed by using the “PrinterSet” software tool available on www.custom4u.it. To upgrade firmware, proceed as follows:

1

[WWW.CUSTOM4U.it](http://www.CUSTOM4U.it)

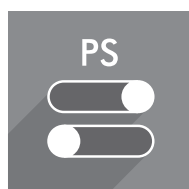
Login to the website www.custom4u.it, type in the product code of the device and download the latest firmware release available.

2



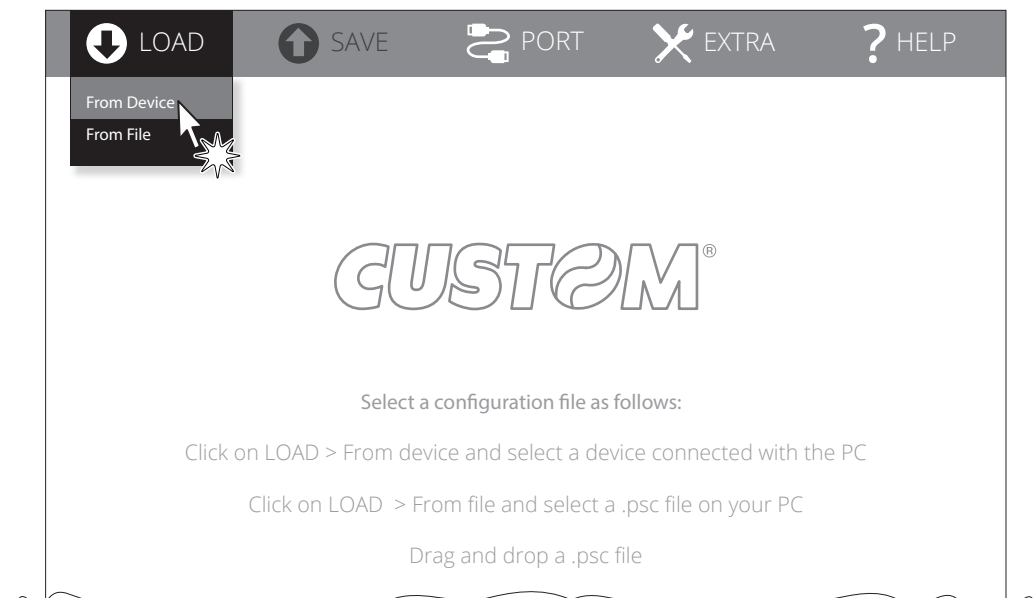
Connect the device to a PC directly (see [paragraph 4.2](#)), without using HUB devices.

3



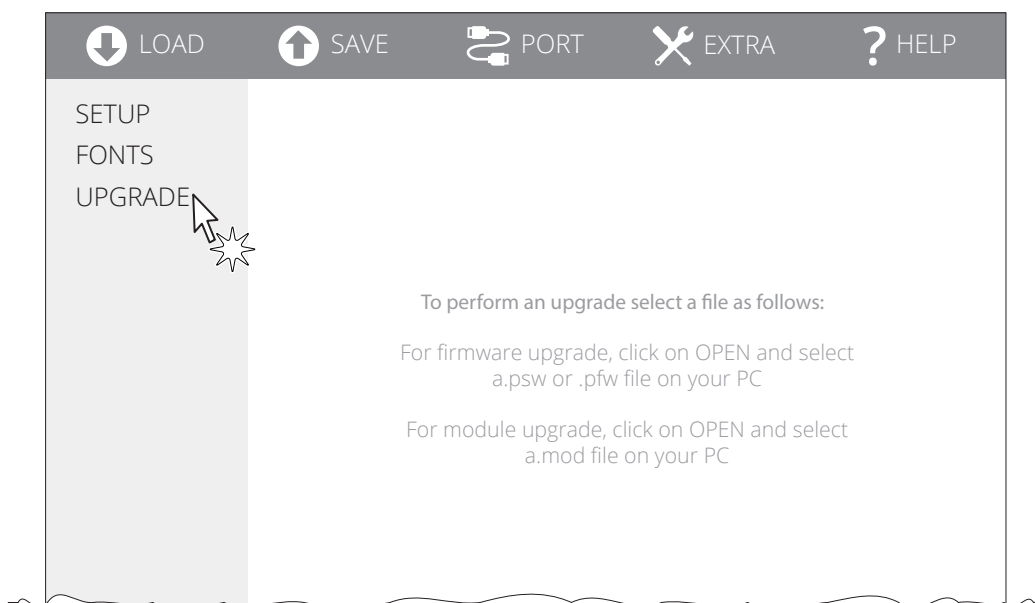
Start the “PrinterSet” software tool.

4



Click on LOAD > FROM DEVICE and select the device connected to the PC.

5



Click on UPGRADE and follow the instructions shown on the screen.

ATTENTION:

During saving, it is strongly discouraged to disconnect the communication cable or to remove the power supply of the PC or the device.



9 SPECIFICATIONS

9.1 Hardware specifications

GENERALS	
Sensors	Head temperature, paper presence, detection of black mark, cover open, low paper, adjustable detection of black mark (optional), detection of black mark on non-thermal side (optional)
Emulations	CUSTOM/POS
Printing driver	Windows XP VISTA (32/64 bit) Windows 7 (32/64 bit) Windows 8 (32/64 bit) Windows 8.1 (32/64 bit) Windows 10 (32/64 bit) Self-installing driver for Virtual COM (32/64 bit) Linux OPOS JavaPOS Android iOS Windows Phone 8
INTERFACES	
USB port	12 Mbit/s (USB 2.0 full speed)
RS232 serial port	from 9600 bps to 115200 bps
Ethernet port	10 Mbit/s
MEMORIES	
Receive buffer	16 kB
Flash memory	4 MB (+1 MB internal to the micro)
RAM memory	64 MB
Graphic memory	Logos dynamic management (max 1 MB graphic memory)



PRINTER

Resolution 203 dpi (8 dot/mm)

Printing method Thermal, fixed head

Head life ⁽¹⁾

Abrasion resistance ⁽²⁾ 200 km (with recommended paper, 12.5% duty cycle)

Pulse durability 200 M (referred to each dot)

Printing width 50, 54, 72 mm

Printing mode Normal, 90°, 180°, 270°

Printing format Height/Width from 1 to 6, bold, reverse, underlined, italic

Character fonts 54 character code tables (see [paragraph 9.6](#))
2 TrueType font ⁽³⁾
Extended chinese GB18030-2000

Printable barcode UPCA, UPCE, EAN13, EAN8,
CODE39, ITF, CODABAR, CODE93,
CODE128, CODE32, PDF417,
DATAMATRIX, AZTEC, QR CODE

Printing speed ^{(1) (4)}

K3 STD High Speed = 350 mm/s
K3 Wi-Fi Normal = 190 mm/s
K3 BT High Quality = 140 mm/s
K3 DSP Grey Scale = 120 mm/s

K3 HS High Speed = 400 mm/s ⁽⁶⁾
K3 HS LF Normal = 220 mm/s
High Quality = 150 mm/s
Grey Scale = 120 mm/s

PAPER

Type of paper Thermal rolls, heat-sensitive side on outside of roll
Fan-fold

Paper width 80 mm ± 0.5 mm

Paper width (with optional paper width adapter) 58 mm, 60 mm ± 0.5 mm

Paper weight from 55 g/m² to 90 g/m²



Paper thickness	from 61 µm to 85 µm
Recommended types of paper	KANZAN KF50 and KP460 MITSUBISHI PF5067, TL 1000 and TL4000
External roll diameter	max. 100 mm
External roll core diameter	25 mm (+ 1 mm)
Core thickness	2 mm (+1 mm)
Paper end	Not attached to roll core
Core type	Cardboard or plastic
LINER-FREE LABELS (K3 HS LF)	
Tipo di carta	Liner-free thermal paper rolls, heat-sensitive side on outside of roll
Paper width	80 mm ± 0.5 mm
Paper width (with optional paper width adapter)	58 mm, 60 mm ± 0.5 mm
Paper weight	80 g/m ²
Recommended type of paper	MAXStick PlusD
External roll diameter	max. 100 mm
External roll core diameter	25 mm (+ 1 mm)
Core thickness	2 mm (+1 mm)
Paper end	Not attached to roll core
Core type	Cardboard or plastic
AUTOCUTTER	
Paper cut	Total or partial
Estimated life ⁽¹⁾	1000000 cuts (with paper thickness 100 µm, ambient temperature)



PRINTER ELECTRICAL SPECIFICATIONS

Power supply	24 Vdc \pm 10% (optional external power supply)
Medium consumption	2 A
Typical. consumption ⁽⁴⁾	1.5 A
Standby consumption	0.1 A

ELECTRICAL SPECIFICATIONS POWER SUPPLY code 963GE020000071

Power supply voltage	from 100 Vac to 240 Vac
Frequency	from 50 Hz to 60 Hz
Output	24 V, 2.5 A
Power	60 W

ENVIRONMENTAL CONDITIONS

Operating temperature	from 0°C to +40°C
Relative humidity (RH)	from 10% to 85% (w/o condensation)
Storage temperature	from -20 °C to +70 °C
Storage relative humidity (RH)	from 10% to 90% (w/o condensation)

NOTES:

- (1) : Respecting the regular schedule of cleaning for the device components.
- (2) : Damages caused by scratches, ESD and electromigration are excluded.
- (3) : "Veramono.ttf" and "Vera.ttf" are installed on device flash disk.
- (4) : Referred to a standard CUSTOM receipt (L=10 cm, Density = 12.5% dots on).
- (5) : Referred to the UL measurements.
- (6) : For optimum print quality, use thermal paper specifically designed for speeds of 400 mm/s or greater.



9.2 Character specifications

K3 STD, K3 Wi-Fi, K3 BT, K3 DSP

Character set		3	
Character density	11 cpi	15 cpi	20 cpi
Number of columns	32	44	57
Chars / second	3733	5133	6650
Lines / second	116	116	116
Characters (L x H mm)-Normal	2.25 x 3	1.625 x 3	1.25 x 3

K3 HS, K3 HS LF

Character set		3	
Character density	11 cpi	15 cpi	20 cpi
Number of columns	32	44	57
Chars / second	4266	5866	7600
Lines / second	133	133	133
Characters (L x H mm)-Normal	2.25 x 3	1.625 x 3	1.25 x 3

NOTE: Theoretical values.

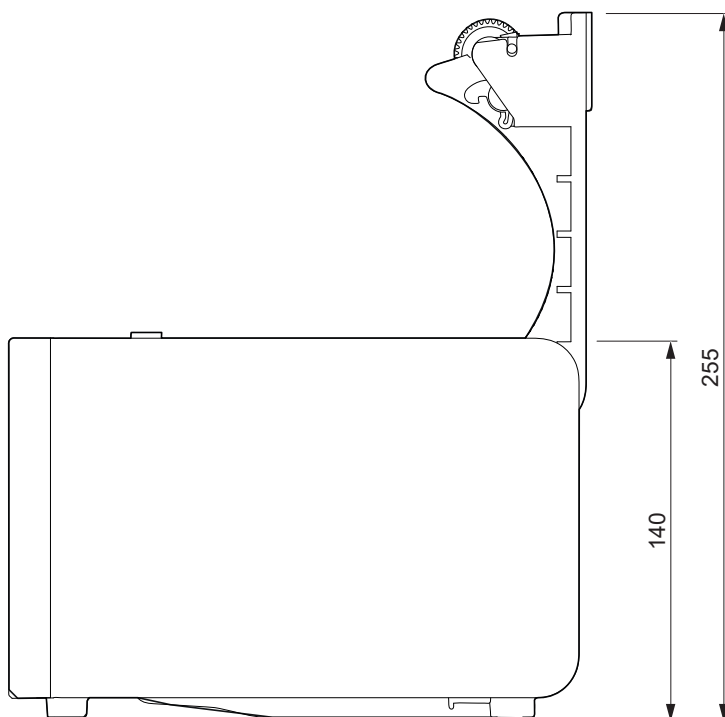
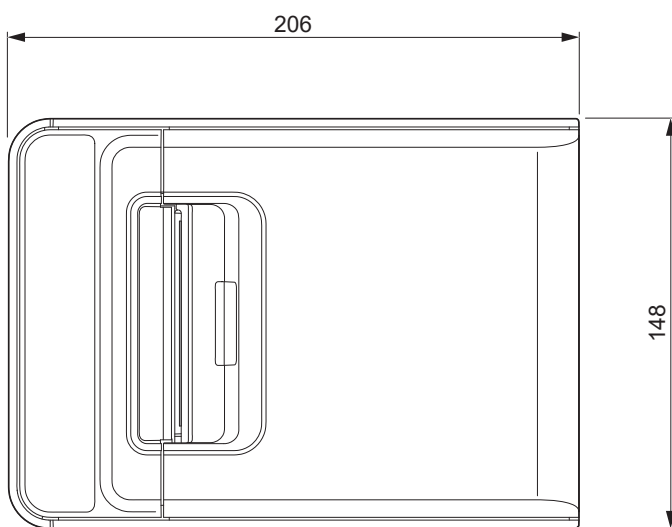


9.3 Device dimensions

K3 STD, K3 Wi-Fi, K3 BT, K3 HS, K3 HS LF

Length	206 mm
Height	140 mm (with cover closed) 255 mm (with cover open)
Width	148 mm
Weight	1970 g (without paper roll)

All the dimensions shown in following figures are in millimetres.

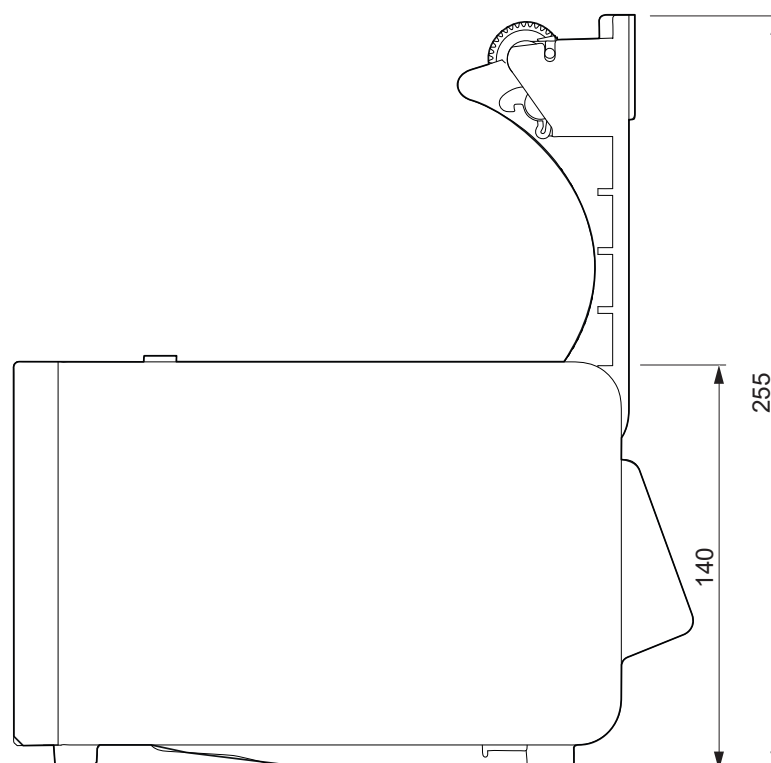
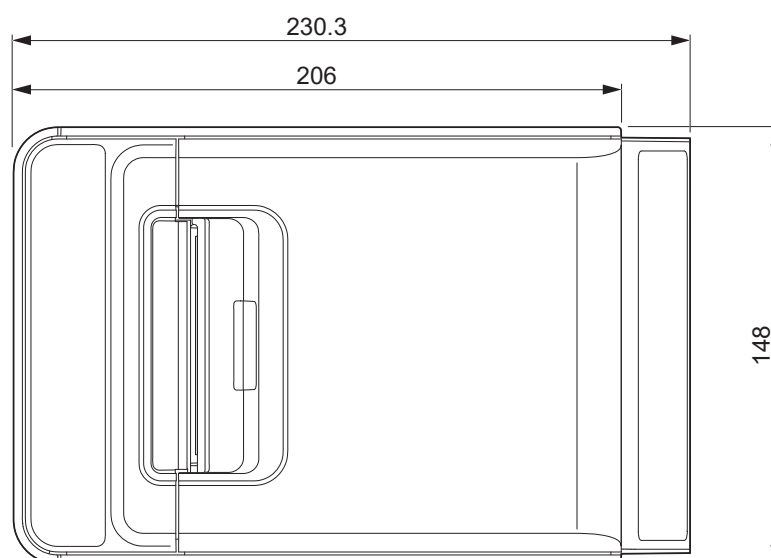




K3 DSP

Length	230.3 mm
Height	140 mm (with cover closed) 255 mm (with cover open)
Width	148 mm
Weight	2100 g (without paper roll)

All the dimensions shown in following figures are in millimetres.





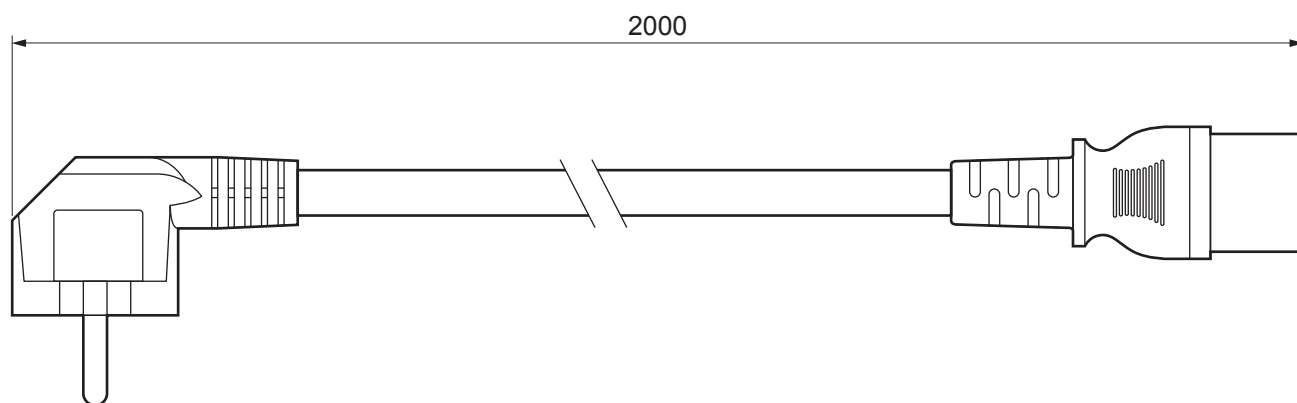
9.4 Power supply and power cord dimensions

The following table shows the dimensions of the power supply and power cord supplied with the device:

POWER CORD code 26100000000311	
Length	2000 mm
POWER SUPPLY code 963GE020000071	
Length	130 mm
Height	36 mm
Width	57 mm

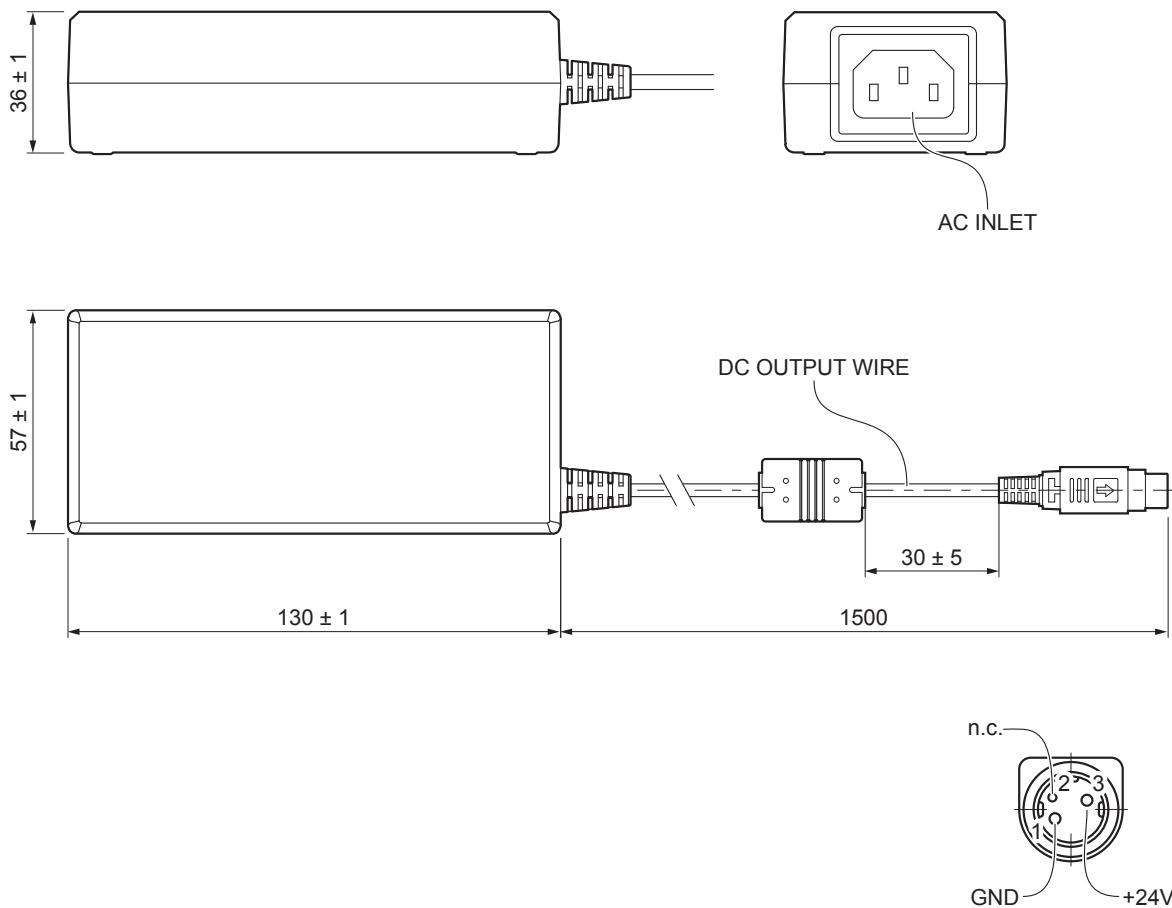
NOTE: All the dimensions shown in following figures are in millimetres.

POWER CORD code 26100000000311





POWER SUPPLY code 963GE02000071



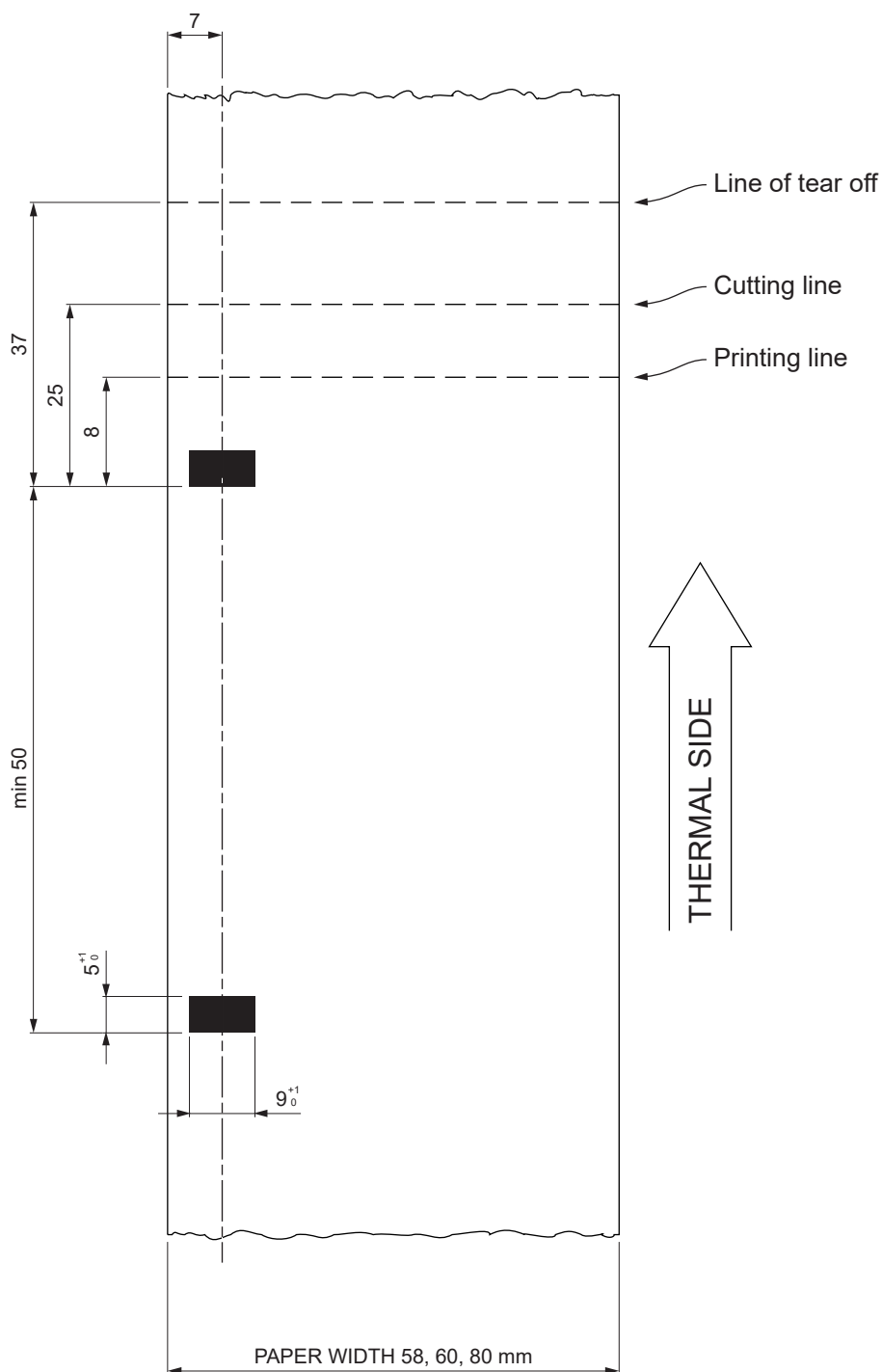
9.5 Paper specification

All the dimensions shown in following figures are in millimetres.

Paper with black mark for fixed sensor

The following image shows the placement of the black mark on the thermal side of the paper.

For more information about the use of paper with black mark see [chapter 7](#).



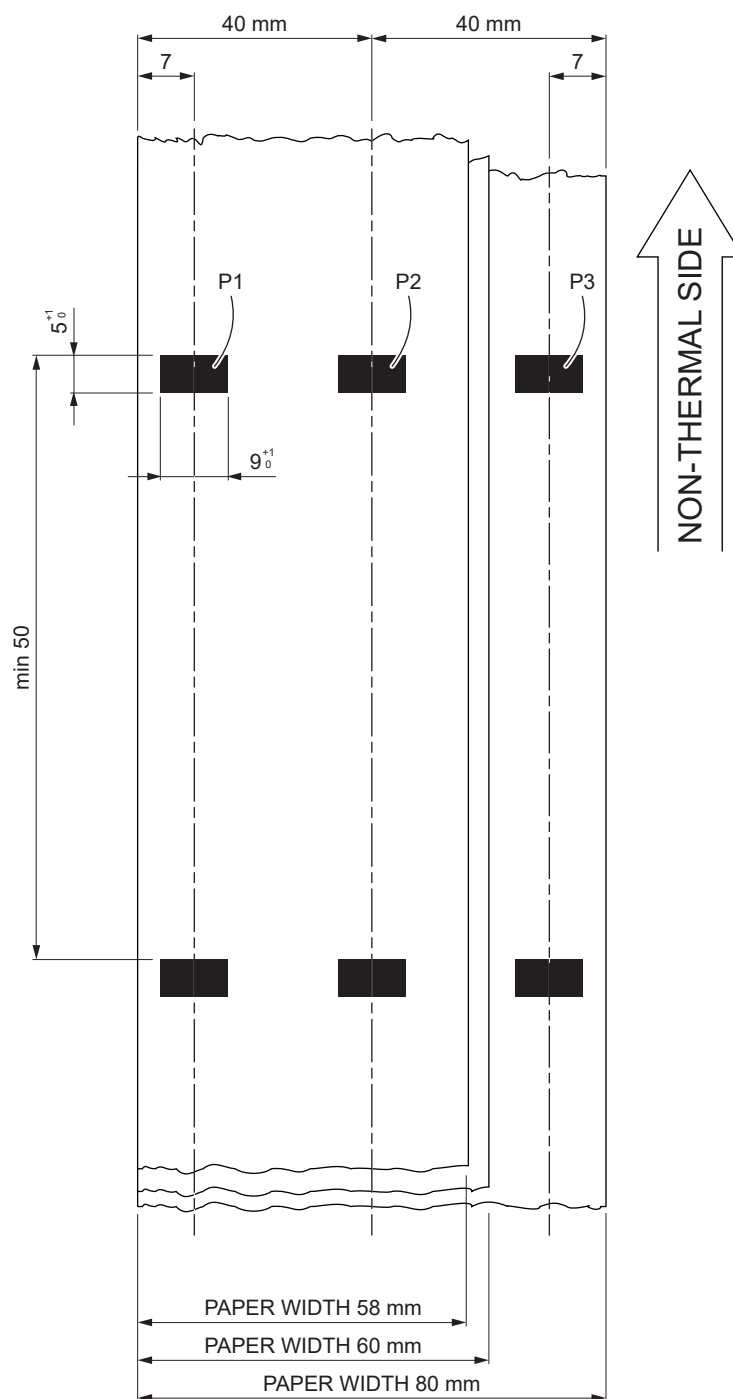
NOTE:

Paper width 58 mm and 60 mm are available only with adapter paper guide provided as accessory (see [chapter 11](#)).



The following image shows the placement of the black mark on the non-thermal side of the paper. The black mark can be placed either in the position P1 or P2 (paper width 58 mm or 60 mm) or even as a P3 (paper width 80 mm).

For more information about the use of paper with black mark see [chapter 7](#).



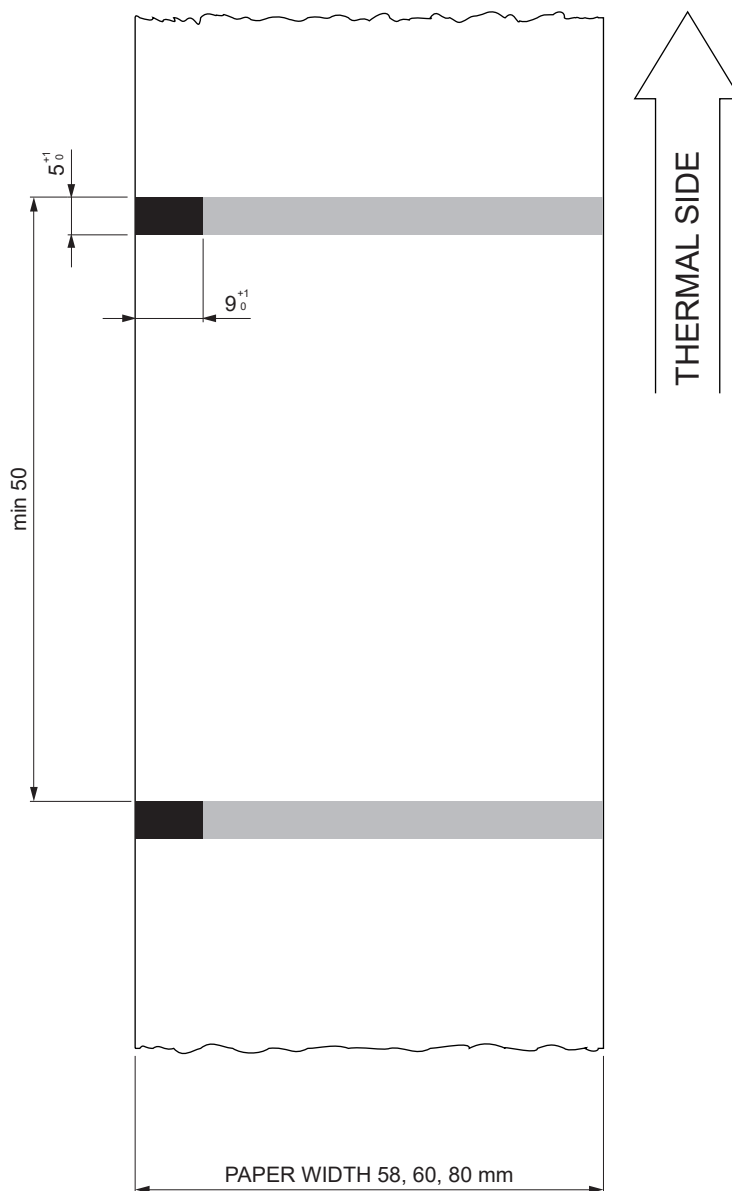
NOTE:
Paper width 58 mm and 60 mm are available only with adapter paper guide provided as accessory (see [chapter 11](#)).



Paper with black mark for mobile sensor

The following image shows the placement of the black mark on the thermal side of the paper. The black mark can be placed anywhere on the whole width of the paper.

For more information about the use of paper with black mark see [chapter 7](#).



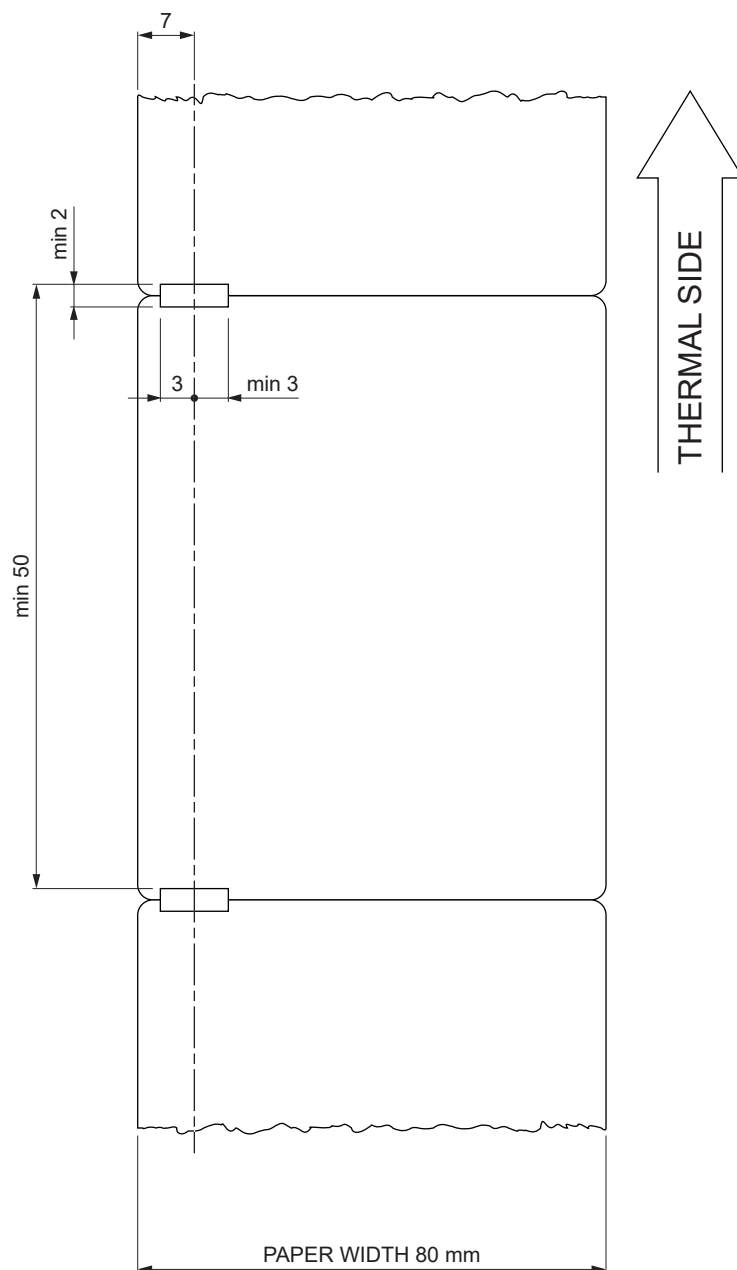
NOTE:

Paper width 58 mm and 60 mm are available only with adapter paper guide provided as accessory (see [chapter 11](#)).

Fan-fold paper with hole

The following image shows the placement of the hole on the paper by referring to the thermal side.
To manage tickets with hole, set the parameter “Black mark Position” to “Transparence” (see [paragraph 6.8](#)).

For more information about the use of paper with black mark see [chapter 7](#).





9.6 Character sets in CUSTOM/POS emulation

The printer has 3 internal fonts with a width of 11, 15, 20 cpi, which can be associated with one of the coding tables stored on the device.

To know the coding tables actually stored on the device, print the font test (see [paragraph 3.5](#)).

The selection of the font and the encoding table is done via command (see the commands manual of the device) or through the Setup procedure by properly setting the parameter “Chars / Inch”, “Code Table” and “Chinese Font” (see [paragraph 6.7](#)).

The following is the complete list of coding tables that can be installed on the device.

<CodeTable>	Character Tables	
0	PC437 - U.S.A., Standard Europe	
1	Katakana	
2	PC850 - Multilingual	
3	PC860 - Portuguese	
4	PC863 - Canadian/French	
5	PC865 - Nordic	
11	PC851 - Greek	on request
12	PC853 - Turkish	on request
13	PC857 - Turkish	
14	PC737 - Greek	
15	ISO8859-7 - Greek	on request
16	WPC1252	
17	PC866 - Cyrillic 2	
18	PC852 - Latin 2	
19	PC858 for Euro symbol at position 213	
20	KU42 - Thai	
21	TIS11 - Thai	on request
26	TIS18 - Thai	on request
30	TCVN_3 - Vietnamese	on request
31	TCVN_3 - Vietnamese	on request
32	PC720 - Arabic	on request



<CodeTable>	Character Tables	
33	WPC775 - Baltic Rim	on request
34	PC855 - Cyrillic	
35	PC861 - Icelandic	on request
36	PC862 - Hebrew	
37	PC864 - Arabic	
38	PC869 - Greek	on request
39	ISO8859-2 - Latin 2	on request
40	ISO8859-15 - Latin 9	on request
41	PC1098 - Farci	
42	PC1118 - Lithuanian	on request
43	PC1119 - Lithuanian	on request
44	PC1125 - Ukrainian	
45	WPC1250 - Latin 2	
46	WPC1251 - Cyrillic	
47	WPC1253 - Greek	
48	WPC1254 - Turkish	
49	WPC1255 - Hebrew	
50	WPC1256 - Arabic	
51	WPC1257 - Baltic Rim	
52	WPC1258 - Vietnamese	
53	KZ1048 - Kazakhstan	
255	Space page	

In CUSTOM/POS emulation, it is possible to use TrueType fonts. To be used, a TrueType font must be monospace type (every character of the font must have the same dimension). The check is made by the device when the font is selected.

TrueType fonts will be automatically scaled by the device in order to obtain the same available width for the embedded fonts (11, 15 and 20 cpi).

The quality of TrueType fonts and the correct positioning into the printable area will result from the font producers and the font implementation.

For the correct printing of the code tables, it is necessary that the selected TrueType font contains all the characters in the tables. Otherwise, the '□' symbol will be printed instead the missing character. All commands for printing configuration are usable both with TrueType fonts and with embedded fonts. It is possible to address the TrueType font respects the UNICODE standard (see www.unicode.org), by using UTF-8 or UTF-16 encoding.





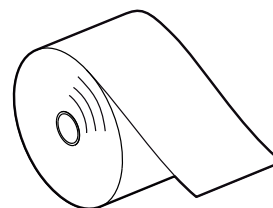
10 CONSUMABLES

The following table shows the list of available consumables for device.

67300000000406

THERMAL PAPER ROLL

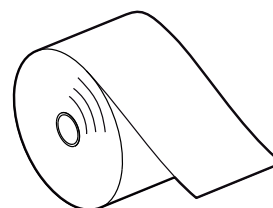
weight = 55 g/m²
width = 80 mm
Ø external = 90 mm
Ø core = 25 mm



67300000000009

THERMAL PAPER ROLL

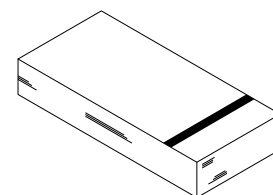
weight = 60 g/m²
width = 80 mm
Ø external = 100 mm
Ø core = 25 mm



67A00000000305

FAN-FOLD

weight = 255 g/m²
dimensions = 155 mm x 65 mm





11 ACCESSORIES

The following table shows the list of available accessories for device.

K3 STD, K3 Wi-Fi, K3 BT, K3 DSP

963GE020000071

POWER SUPPLY

(for technical specifications, see [paragraph 9.1](#))



26100000000311

POWER CORD SCHUKO PLUG

length = 2 m

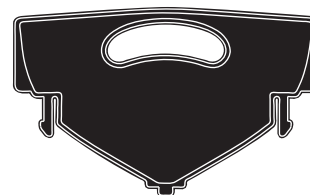
(see [paragraph 9.1](#))



21400000000193

PAPER WIDTH ADAPTER

for 58 mm and 60 mm paper width





K3 HS, K3 HS LF

963GE020000071

POWER SUPPLY
(for technical specifications, see [paragraph 9.1](#))



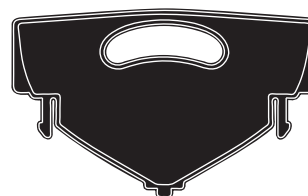
26100000000311

POWER CORD SCHUKO PLUG
length = 2 m
(see [paragraph 9.1](#))



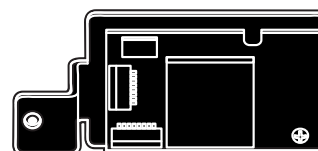
21400000000193

PAPER WIDTH ADAPTER
for 58 mm and 60 mm paper width



976HM010000001

Wi-Fi / BLUETOOTH MODULE





12 TECHNICAL SERVICE

In case of failure, contact the technical service accessing the website www.custom4u.it and using the support tools on the homepage. It is advisable to keep the identification data of the product at hand.

The product code, the serial number and the hardware release number can be found on the product label (see [paragraph 3.4](#)).

The firmware release number (SCODE) can be found:

- on the setup report (see [paragraph 6.1](#))
- connecting the device to a PC and starting the "PrinterSet" tool (see [paragraph 6.2](#))
- by consulting the "setup.ini" file (see [paragraph 6.3](#))



CUSTOM[®]

CUSTOM S.p.A.

World Headquarters

Via Berettine, 2/B - 43010 Fontevivo, Parma ITALY

Tel. +39 0521 680111 - Fax +39 0521 610701

info@custom.biz - www.custom.biz

All rights reserved

www.custom.biz