

USER MANUAL

TG1260HIII

TG2460HIII

CUSTOM[®]

CUSTOM S.p.A.
Via Berettine 2/B
43010 Fontevivo (PARMA) - Italy
Tel. : +39 0521-680111
Fax : +39 0521-610701
http: www.custom.biz

Customer Service Department:
www.custom4u.it

© 2019 CUSTOM S.p.A. – Italy.
All rights reserved. Total or partial reproduction of this manual in whatever form, whether by printed or electronic means, is forbidden. While guaranteeing that the information contained in it has been carefully checked, CUSTOM S.p.A. and other entities utilized in the realization of this manual bear no responsibility for how the manual is used. Information regarding any errors found in it or suggestions on how it could be improved are appreciated. Since products are subject to continuous check and improvement, CUSTOM S.p.A. reserves the right to make changes in information contained in this manual without prior notification.

The pre-installed multimedia contents are protected from Copyright CUSTOM S.p.A. Other company and product names mentioned herein may be trademarks of their respective companies. Mention of third-party products is for informational purposes only and constitutes neither an endorsement nor a recommendation. CUSTOM S.p.A. assumes no responsibility with regard to the performance or use of these products.

THE IMAGES USED IN THIS MANUAL ARE USED AS AN ILLUSTRATIVE EXAMPLES. THEY COULDN'T REPRODUCE THE DESCRIBED MODEL FAITHFULLY.

UNLESS OTHERWISE SPECIFIED, THE INFORMATION GIVEN IN THIS MANUAL ARE REFERRED TO ALL MODELS IN PRODUCTION AT THE ISSUE DATE OF THIS DOCUMENT.

GENERAL INSTRUCTIONS

CUSTOM S.p.A. declines all responsibility for accidents or damage to persons or property occurring as a result of tampering, structural or functional modifications, unsuitable or incorrect installations, environments not in keeping with the equipment's protection degree or with the required temperature and humidity conditions, failure to carry out maintenance and periodical inspections and poor repair work.

GENERAL SAFETY INFORMATION

Your attention is drawn to the following actions that could compromise the characteristics of the product:

- Read and retain the instructions which follow.
- Follow all indications and instructions given on the device.
- Make sure that the surface on which the device rests is stable. If it is not, the device could fall, seriously damaging it.
- Make sure that the device rests on a hard (non-padded) surface and that there is sufficient ventilation.
- Do not fix indissolubly the device or its accessories such as power supplies unless specifically provided in this manual.
- When positioning the device, make sure cables do not get damaged.
- [Only OEM equipment] The equipment must be installed in a kiosk or system that provides mechanical, electrical and fire protection.
- The mains power supply must comply with the rules in force in the Country where you intend to install the equipment.
- Make sure that there is an easily-accessible outlet with a capacity of no less than 10A closely to where the device is to be installed.
- Make sure the power cable provided with the appliance, or that you intend to use is suitable with the wall socket available in the system.
- Make sure the electrical system that supplies power to the device is equipped with a ground wire and is protected by a differential switch.
- Before any type of work is done on the machine, disconnect the power supply.
- Use the type of electrical power supply indicated on the device label.
- These devices are intended to be powered by a separately certified power module having an SELV, non-energy hazardous output. (IEC60950-1 second edition).
- [Only POS equipment] The energy to the equipment must be provided by power supply approved by CUSTOM S.p.A.
- Take care the operating temperature range of equipment and its ancillary components.
- Do not block the ventilation openings.
- Do not insert objects inside the device as this could cause short-circuiting or damage components that could jeopardize printer functioning.
- Do not carry out repairs on the device yourself, except for the normal maintenance operations given in the user manual.
- The equipment must be accessible on these components only to trained, authorized personnel.
- Periodically perform scheduled maintenance on the device to avoid dirt build-up that could compromise the correct, safe operation of the unit.
- Do not touch the head heating line with bare hands or metal objects. Do not perform any operation inside the printer immediately after printing because the head and motor tend to become very hot.
- Use consumables approved by CUSTOM S.p.A.



THE CE MARK AFFIXED TO THE PRODUCT CERTIFY THAT THE PRODUCT SATISFIES THE BASIC SAFETY REQUIREMENTS.

The device is in conformity with the essential Electromagnetic Compatibility and Electric Safety requirements laid down in Directives 2014/30/EU and 2014/35/EU inasmuch as it was designed in conformity with the provisions laid down in the following Standards:

- EN 55032 (*Limits and methods of measurements of radio disturbance characteristics of Information Technology Equipment*)
- EN 55024 (*Information Technology Equipment – Immunity characteristics – Limits and methods of measurement*)
- EN 60950-1 (*Safety of information equipment including electrical business equipment*)

The device is in conformity with the essential requirements laid down in Directives 2014/53/EU about devices equipped with intentional radiators. The Declaration of Conformity and other available certifications can be downloaded from the site www.custom4u.it.



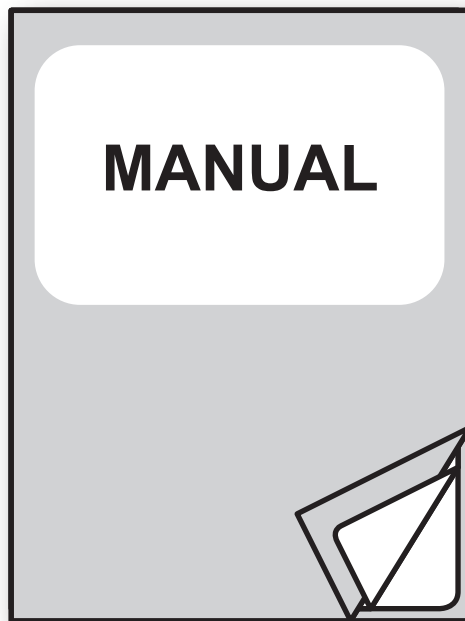
GUIDELINES FOR THE DISPOSAL OF THE PRODUCT

The crossed-out rubbish bin logo means that used electrical and electronic products shall NOT be mixed with unsorted municipal waste. For more detailed information about recycling of this product, refer to the instructions of your country for the disposal of these products.

- Do not dispose of this equipment as miscellaneous solid municipal waste, but arrange to have it collected separately.
- The re-use or correct recycling of the electronic and electrical equipment (EEE) is important in order to protect the environment and the wellbeing of humans.
- In accordance with European Directive WEEE 2002/96/EC, special collection points are available to which to deliver waste electrical and electronic equipment and the equipment can also be handed over to a distributor at the moment of purchasing a new equivalent type.
- The public administration and producers of electrical and electronic equipment are involved in facilitating the processes of the re-use and recovery of waste electrical and electronic equipment through the organisation of collection activities and the use of appropriate planning arrangements.
- Unauthorised disposal of waste electrical and electronic equipment is punishable by law with the appropriate penalties.



The format used for this manual improves use of natural resources reducing the quantity of necessary paper to print this copy.



For details on the commands,
refer to the manual with code **77200000005200**

For further information about the use of “PrinterSet” tool
refer to the manual with code **78200000001800**

TABLE OF CONTENTS

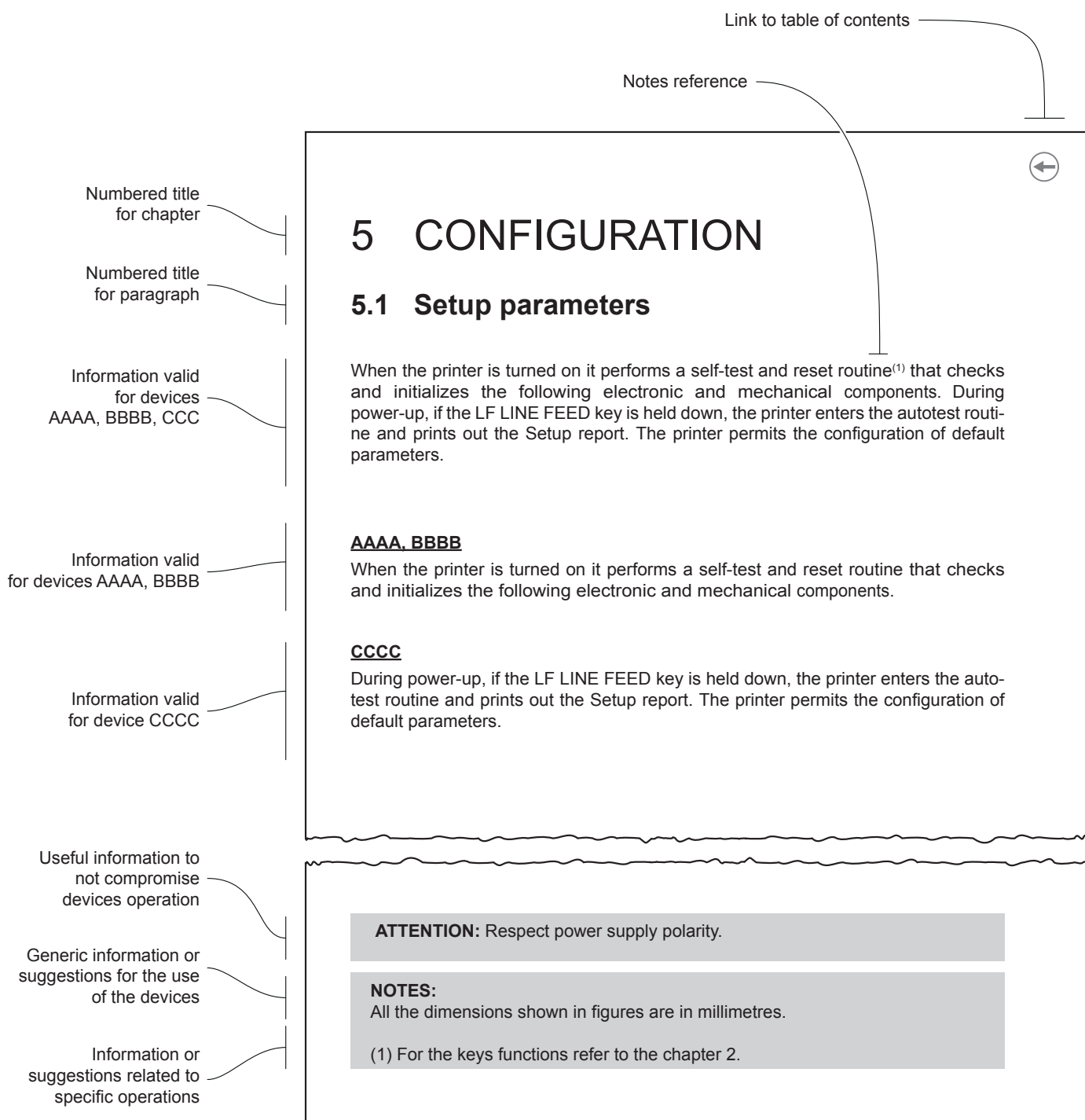
1	INTRODUCTION	9
2	IDENTIFICATION OF THE MODELS	11
3	DESCRIPTION	13
3.1	Box contents	13
3.2	Device components: external view	21
3.3	Device components: internal view	27
3.4	Product label	29
3.5	Key functions: power up	30
3.6	Key functions: standby	31
3.7	Status messages	32
4	INSTALLATION	33
4.1	Panel fastening	33
4.2	Fastening position	37
4.3	Connections	39
4.4	Pinout	40
4.5	Driver and SDK	42
5	OPERATION	43
5.1	Device opening	43
5.2	Switch the device on	45
5.3	Loading the paper roll	47
5.4	Issuing ticket	49
6	CONFIGURATION	67
6.1	Configuration by keys	67
6.2	Configuration by software	69
6.3	Device status	71
6.4	Communication parameters	72
6.5	Operating parameters	74
6.6	Alignment parameters	77
6.7	Hexadecimal dump	78

7	ALIGNMENT	79
7.1	Calibration	80
7.2	Alignment parameters	82
7.3	Printing area	85
8	MAINTENANCE	87
8.1	Paper jam	87
8.2	Planning of cleaning operations	91
8.3	Cleaning	92
8.4	Firmware upgrade	98
9	SPECIFICATIONS	101
9.1	Hardware specifications	101
9.2	Character specifications	105
9.3	Device dimensions	106
9.4	Device dimensions with adjustable paper roll holder	112
9.5	Power supply and power cord dimensions	118
9.6	Paper specification	120
9.7	Character sets	121
10	CONSUMABLES	123
11	ACCESSORIES	125
12	TECHNICAL SERVICE	127



1 INTRODUCTION

This document is divided into sections and chapters. Each chapter can be reached by the index at the beginning of this document. The index can be reached by the button on each page as shown in the diagram below.







2 IDENTIFICATION OF THE MODELS

NOMENCLATURE	DESCRIPTION
TG1260HIII CUT	TG1260HIII CUT base configuration with autocutter and illuminated bezel
TG1260HIII BP	TG1260HIII CUT base configuration with black front panel
TG1260HIII CUT BP	TG1260HIII BP with autocutter
TG1260HIII CHROMED	TG1260HIII CUT base configuration with chromed bezel
TG2460HIII CHROMED	TG2460HIII base configuration with chromed bezel
TG2460HIII TRANSP	TG2460HIII base configuration with transparent bezel
TG2460HIII CUT	TG2460HIII with autocutter and illuminated bezel
TG2460HIII EJC	TG2460HIII with ejector group



3 DESCRIPTION

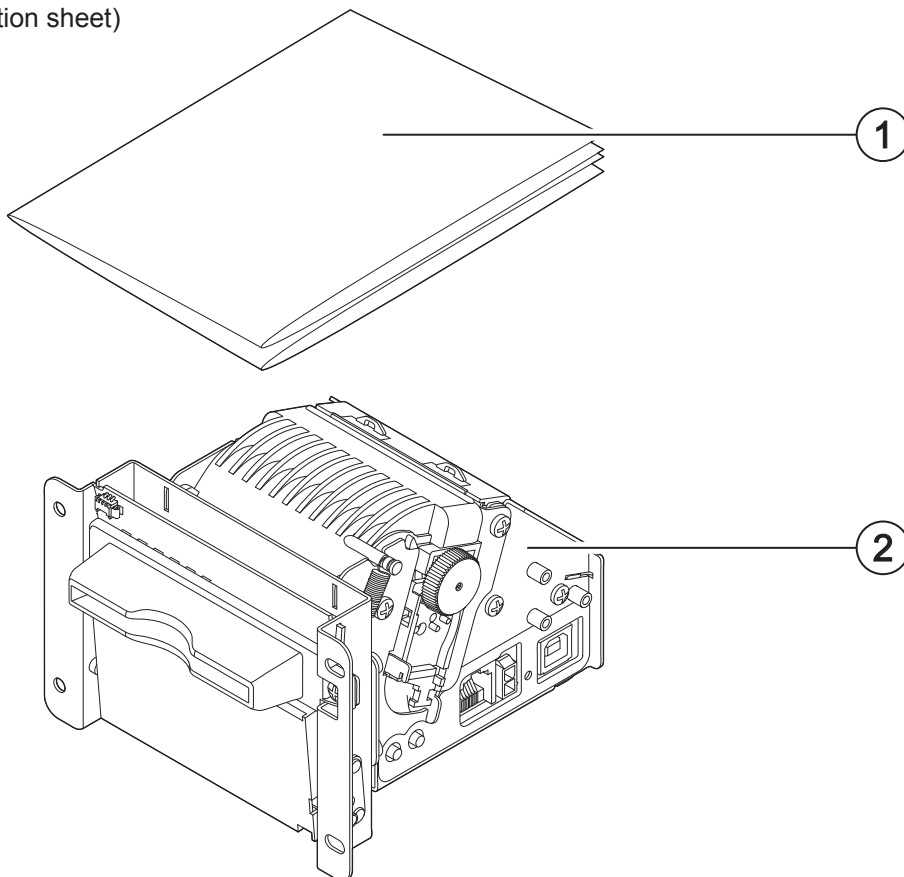
3.1 Box contents

Remove the device from its carton being careful not to damage the packing material so that it may be re-used if the device is to be transported in the future.

Make sure that all the components illustrated below are present and that there are no signs of damage. If there are, contact customer service

TG1260HIII CUT

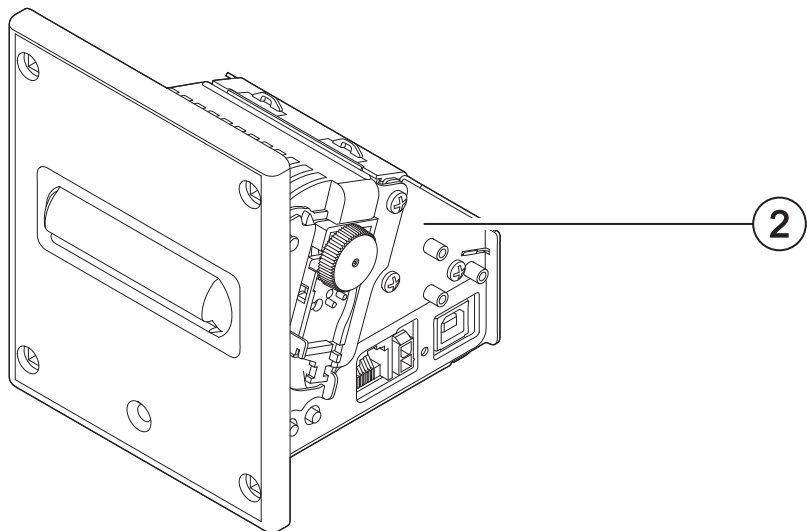
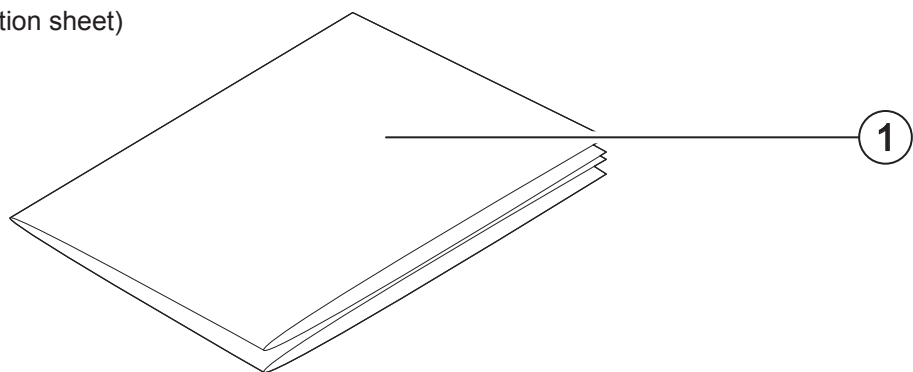
1. Documentation (installation instruction sheet)
2. Device





TG1260HIII BP

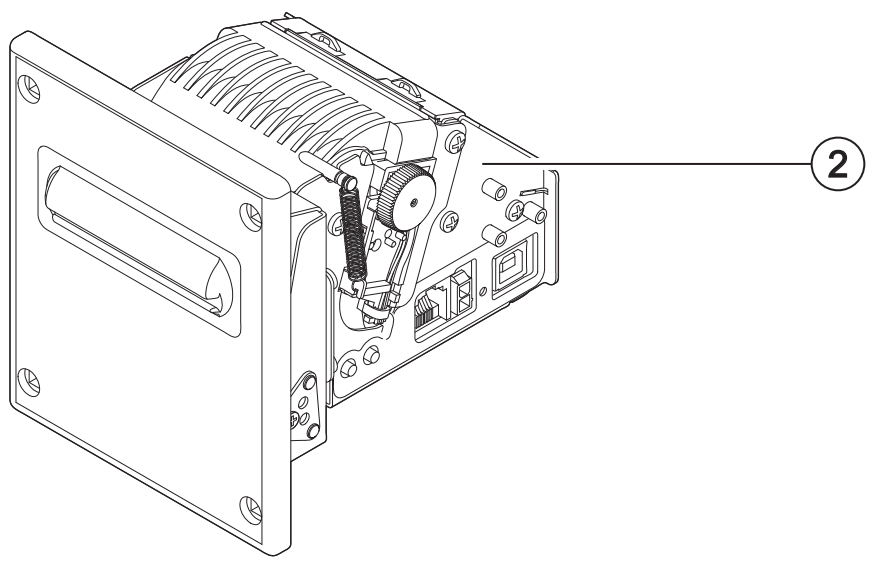
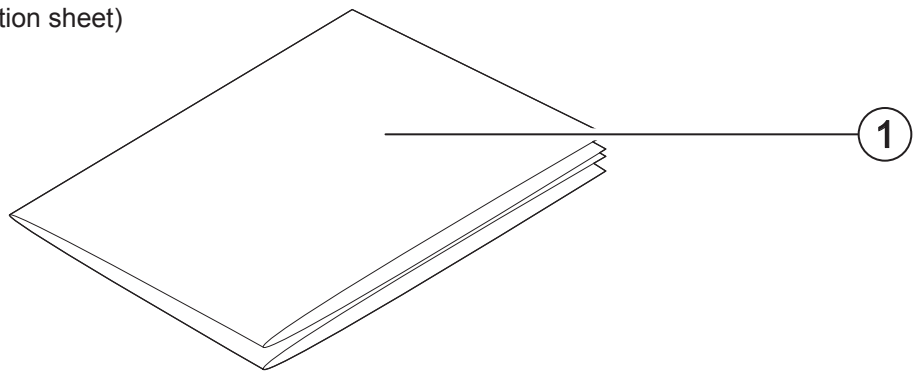
1. Documentation (installation instruction sheet)
2. Device





TG1260HIII CUT BP

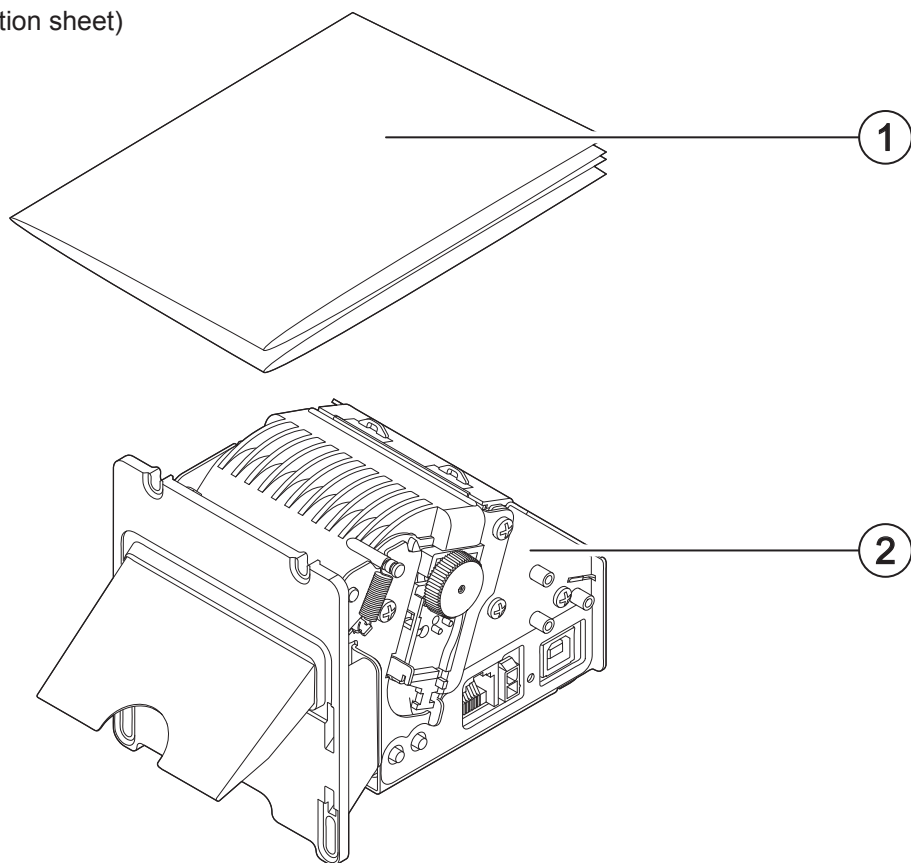
1. Documentation (installation instruction sheet)
2. Device





TG1260HIII CHROMED

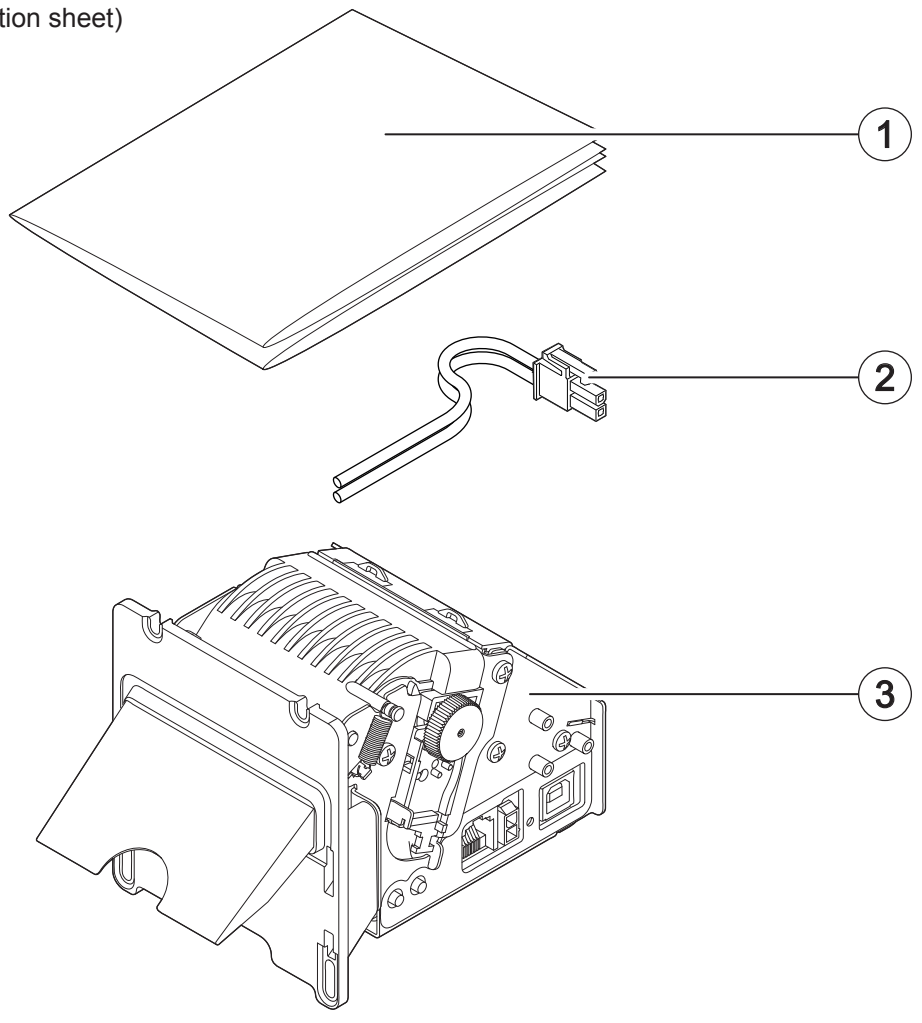
1. Documentation (installation instruction sheet)
2. Device





TG2460HIII CHROMED

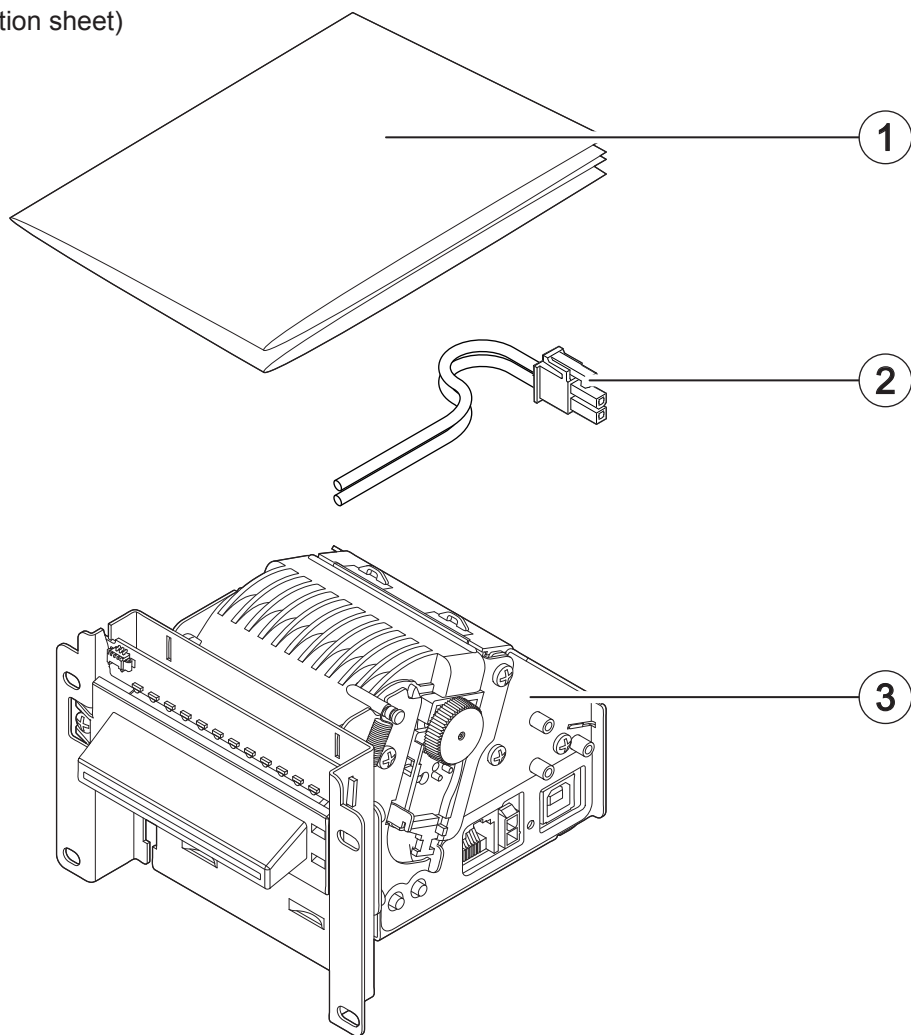
1. Documentation (installation instruction sheet)
2. Power supply cable
3. Device





TG2460HIII TRANSP

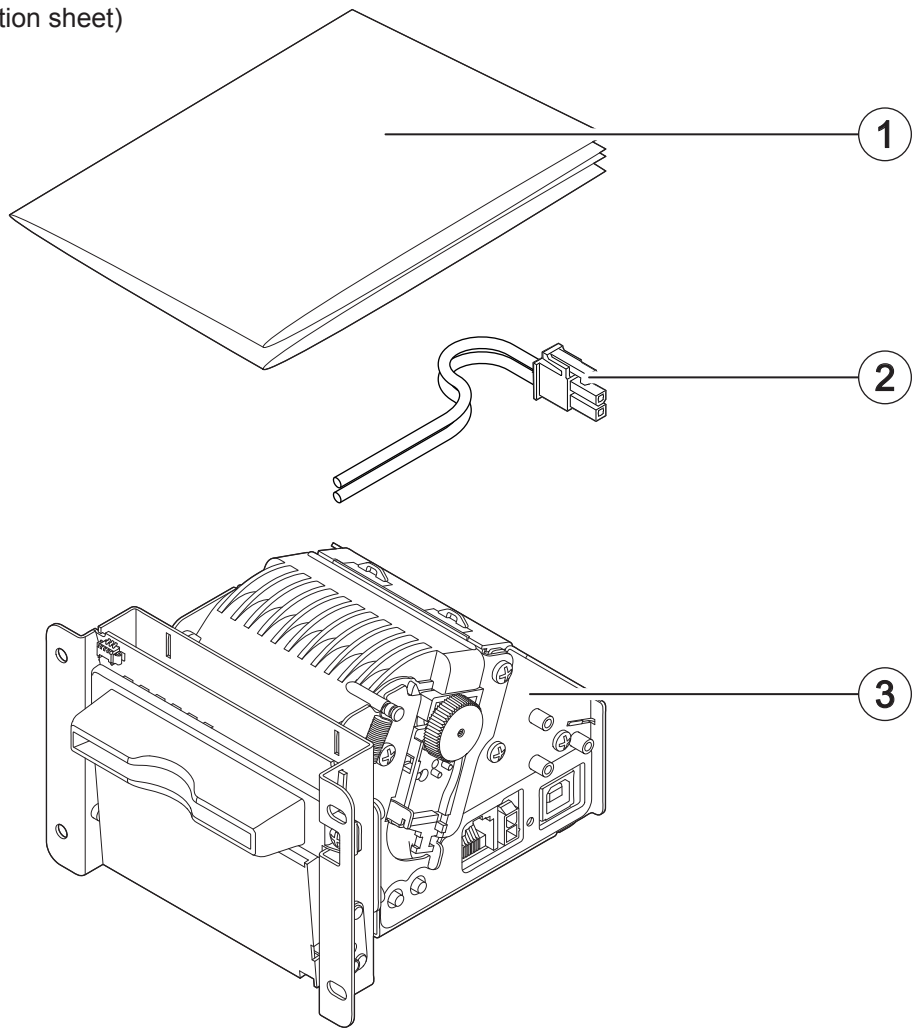
1. Documentation (installation instruction sheet)
2. Power supply cable
3. Device





TG2460HIII CUT

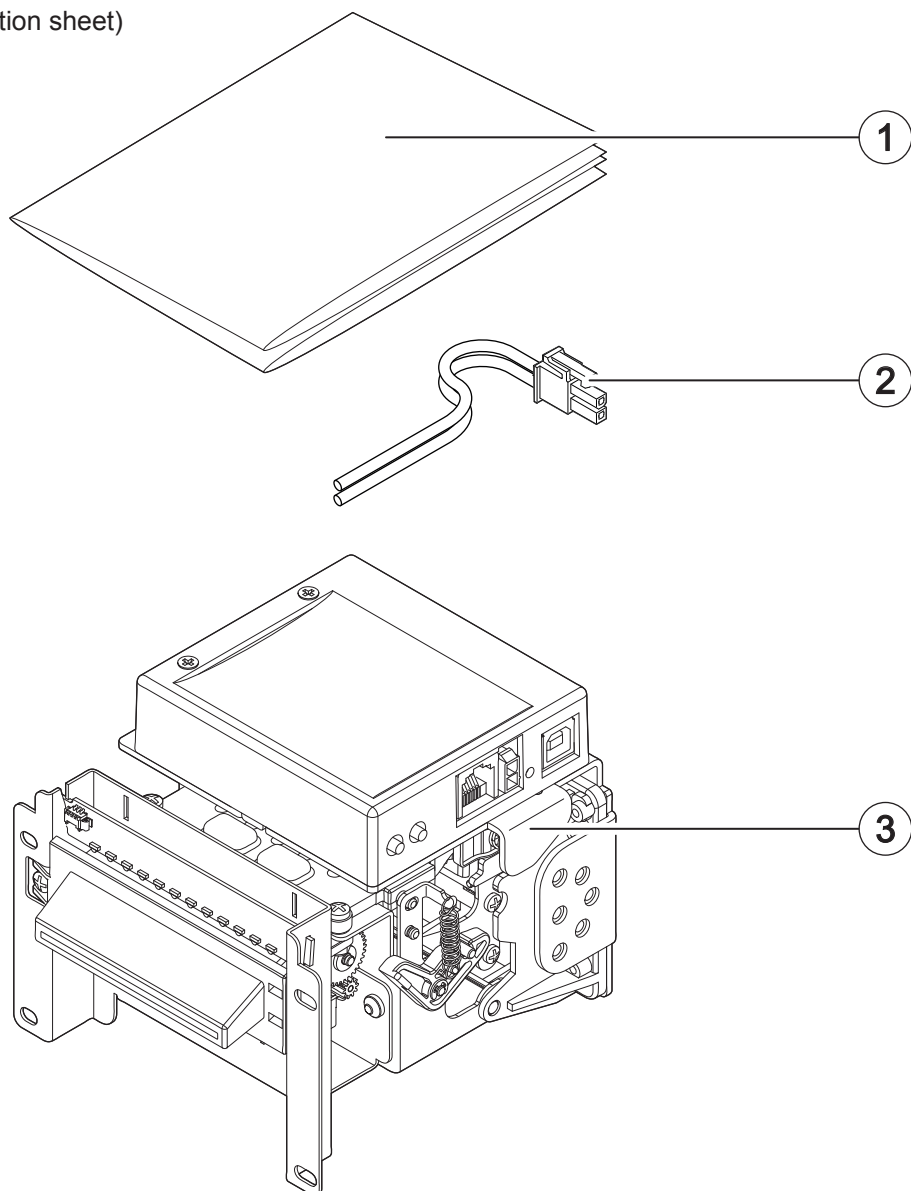
1. Documentation (installation instruction sheet)
2. Power supply cable
3. Device





TG2460HIII EJC

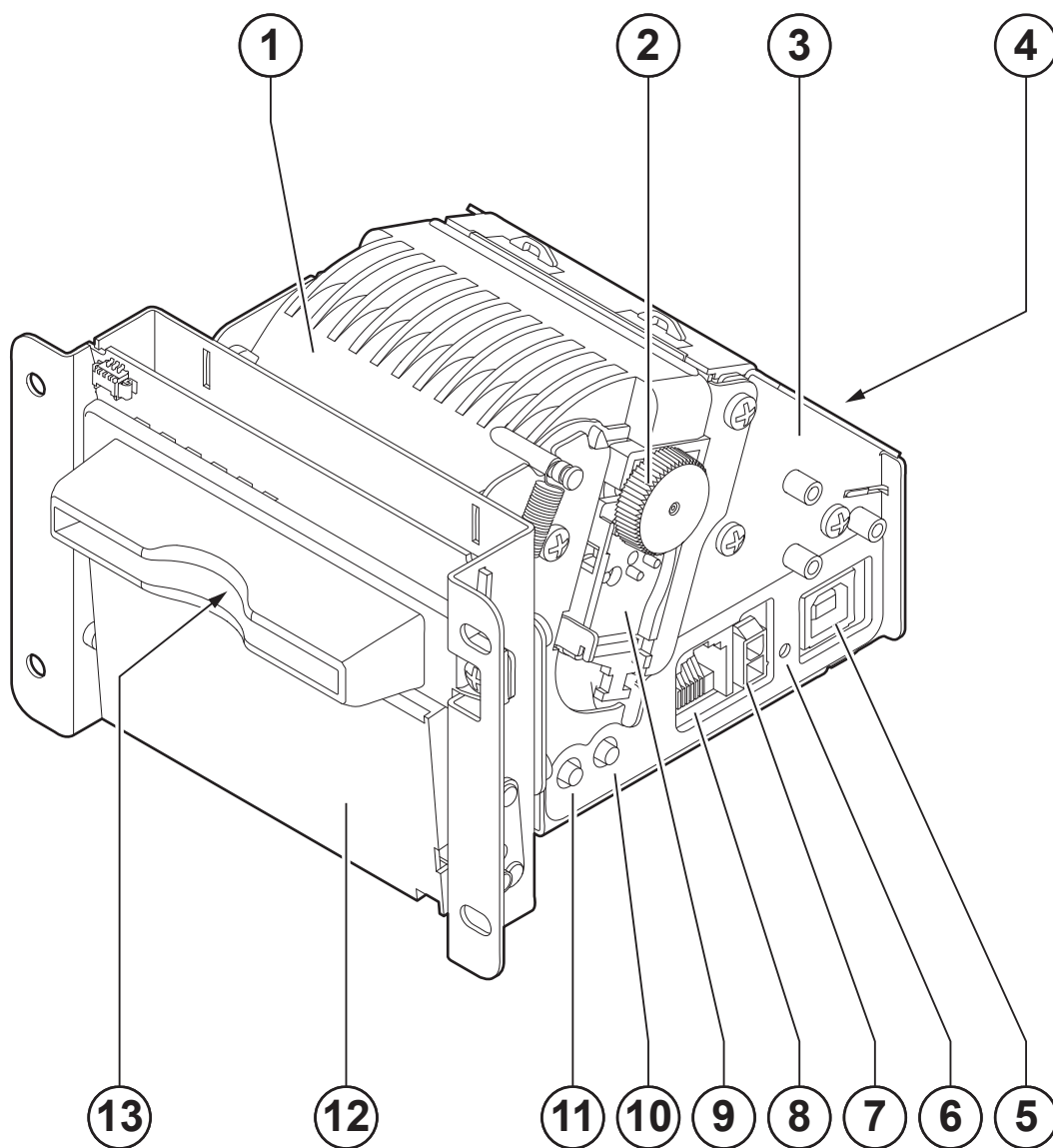
1. Documentation (installation instruction sheet)
2. Power supply cable
3. Device



3.2 Device components: external view

TG1260HIII CUT, TG2460HIII CUT

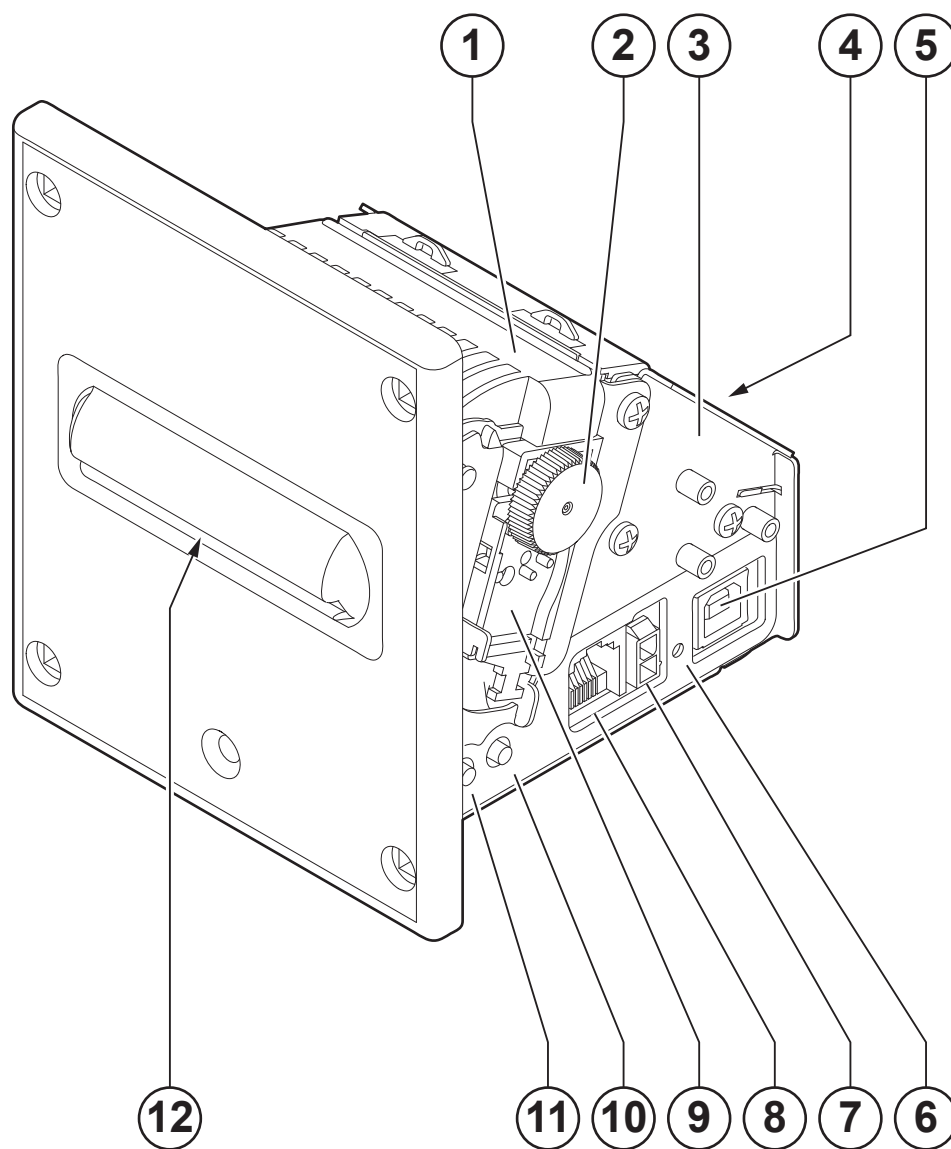
1. Inspection door
2. Platen roller manual feed
3. Device chassis
4. Paper input
5. USB port
6. Status LED
7. Power supply port
8. RS232 serial port
9. Printing mechanism
10. FEED key
11. PRINT key
12. Autocutter
13. Paper output





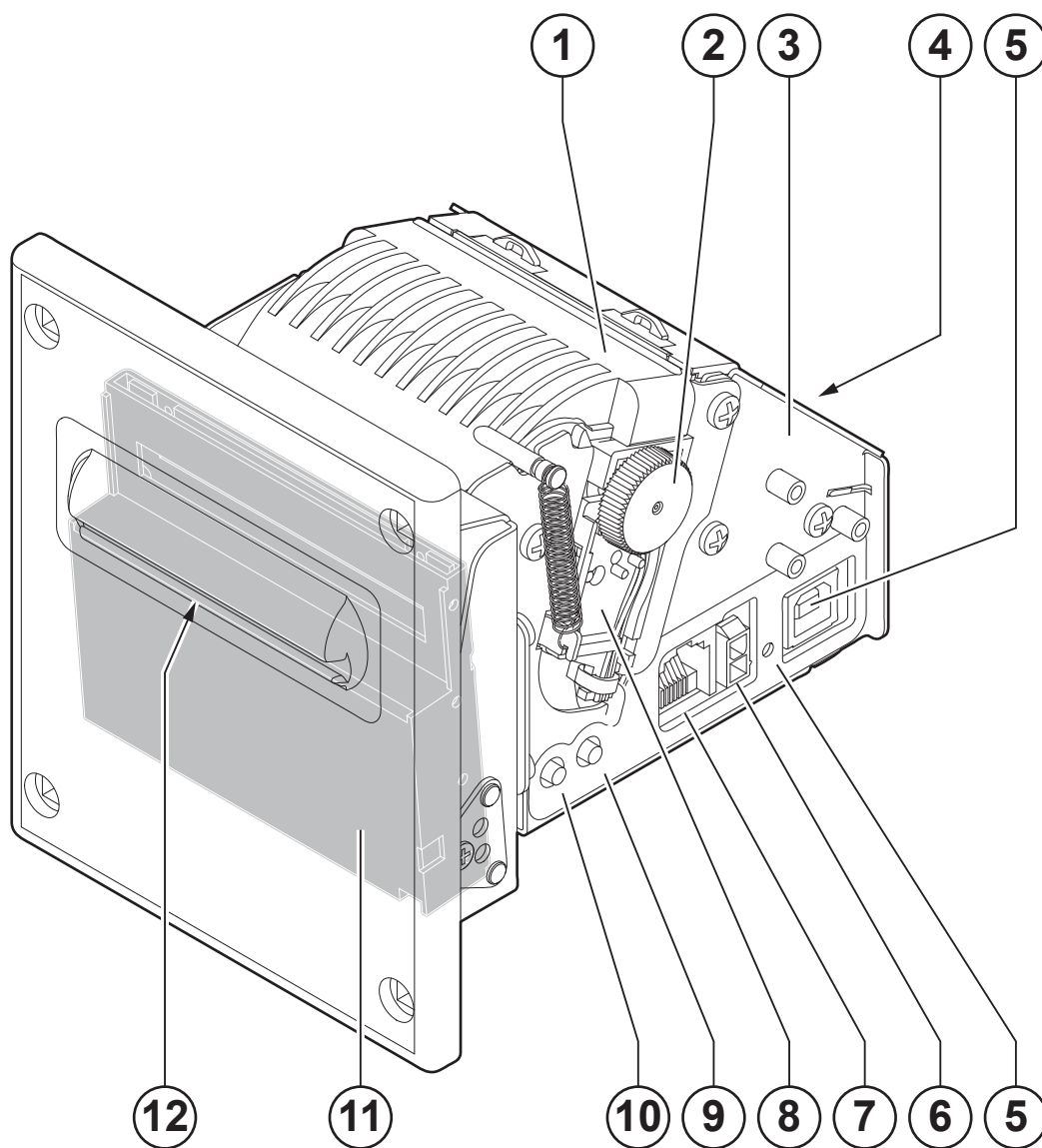
TG1260HIII BP

1. Inspection door
2. Platen roller manual feed
3. Device chassis
4. Paper input
5. USB port
6. Status LED
7. Power supply port
8. RS232 serial port
9. Printing mechanism
10. FEED key
11. PRINT key
12. Paper output



TG1260HIII CUT BP

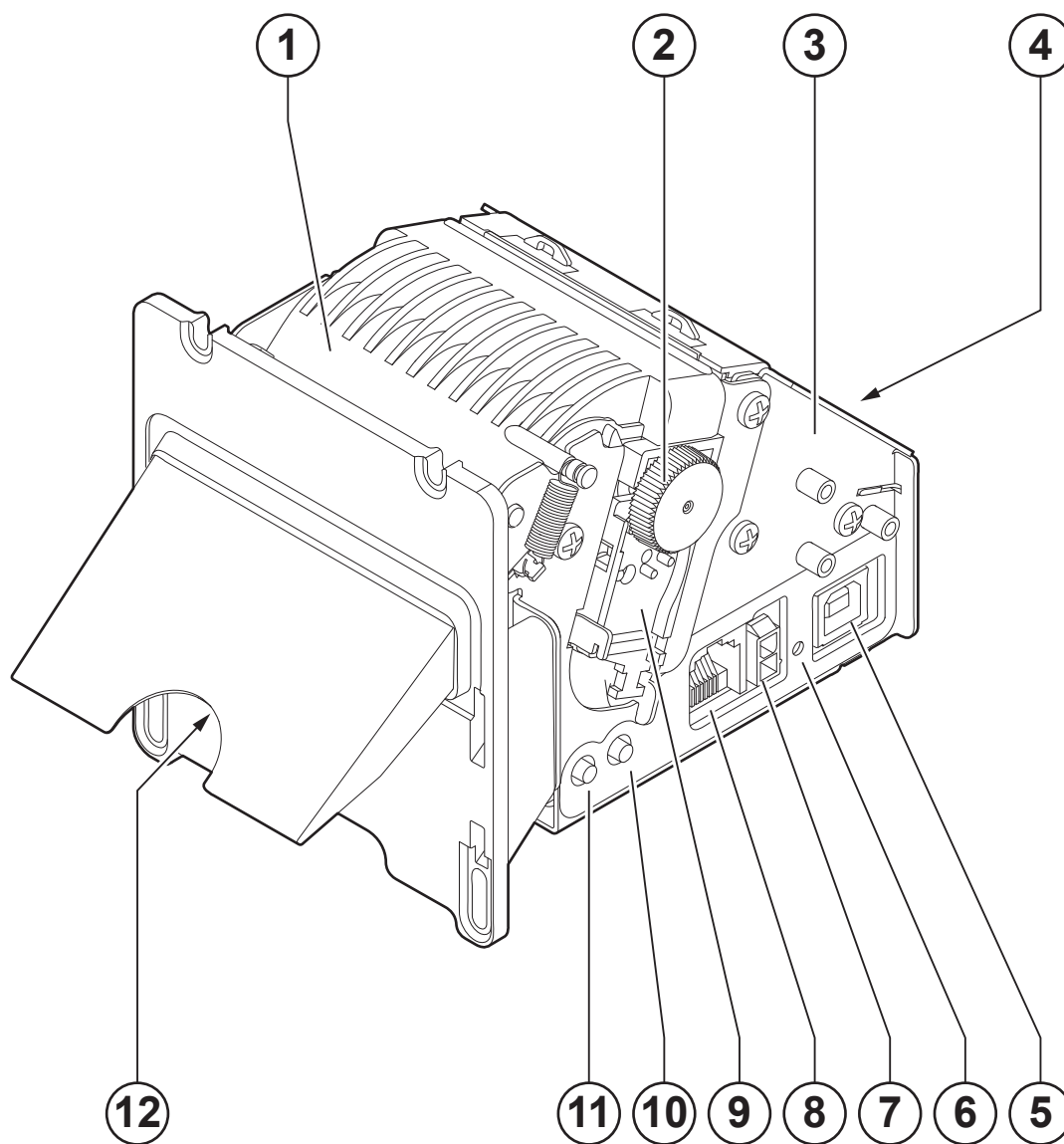
1. Inspection door
2. Platen roller manual feed
3. Device chassis
4. Paper input
5. USB port
6. Status LED
7. Power supply port
8. RS232 serial port
9. Printing mechanism
10. FEED key
11. PRINT key
12. Autocutter





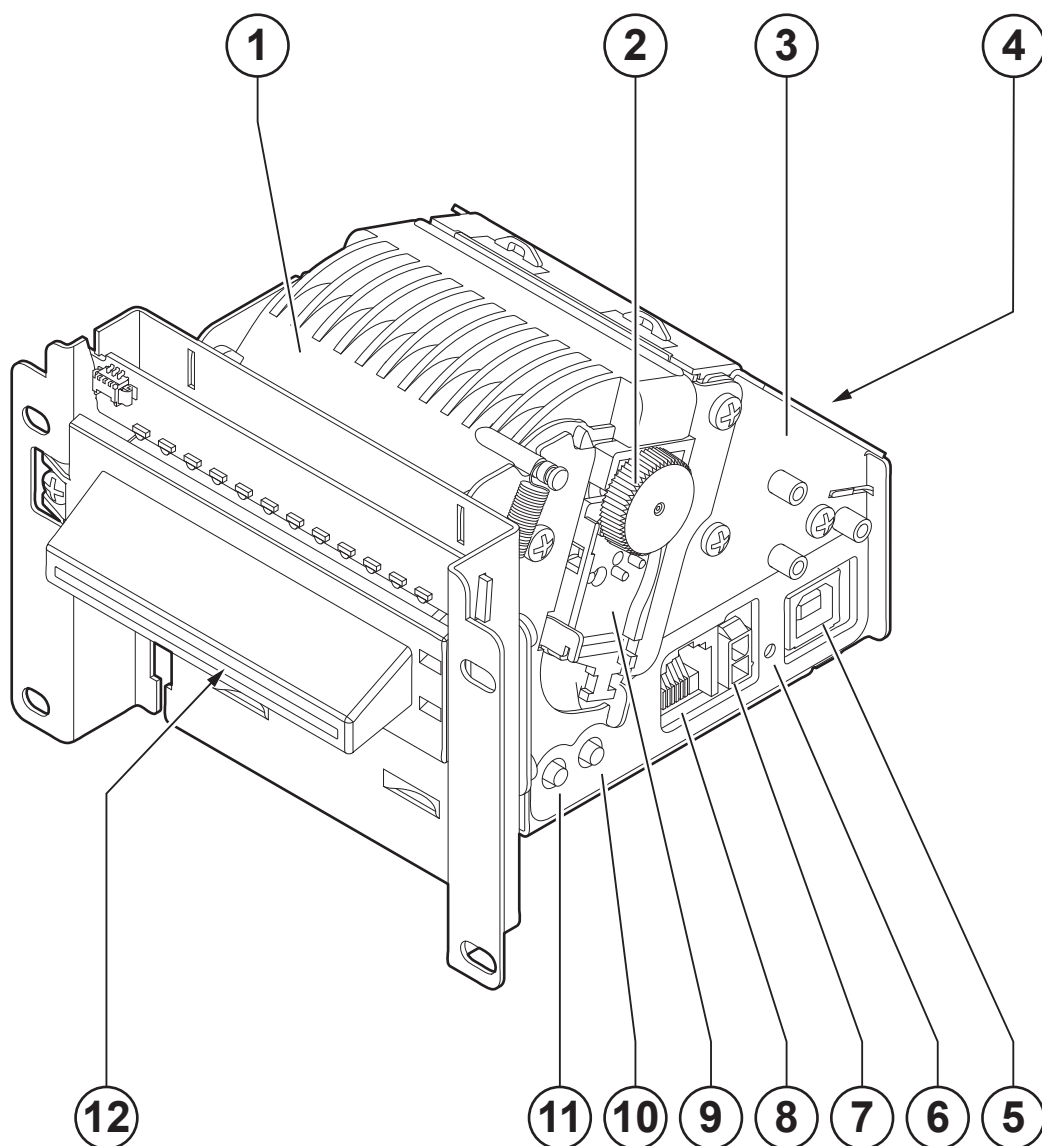
TG1260HIII CHROMED, TG2460HIII CHROMED

1. Inspection door
2. Platen roller manual feed
3. Device chassis
4. Paper input
5. USB port
6. Status LED
7. Power supply port
8. RS232 serial port
9. Printing mechanism
10. FEED key
11. PRINT key
12. Paper output



TG2460HIII TRANSP

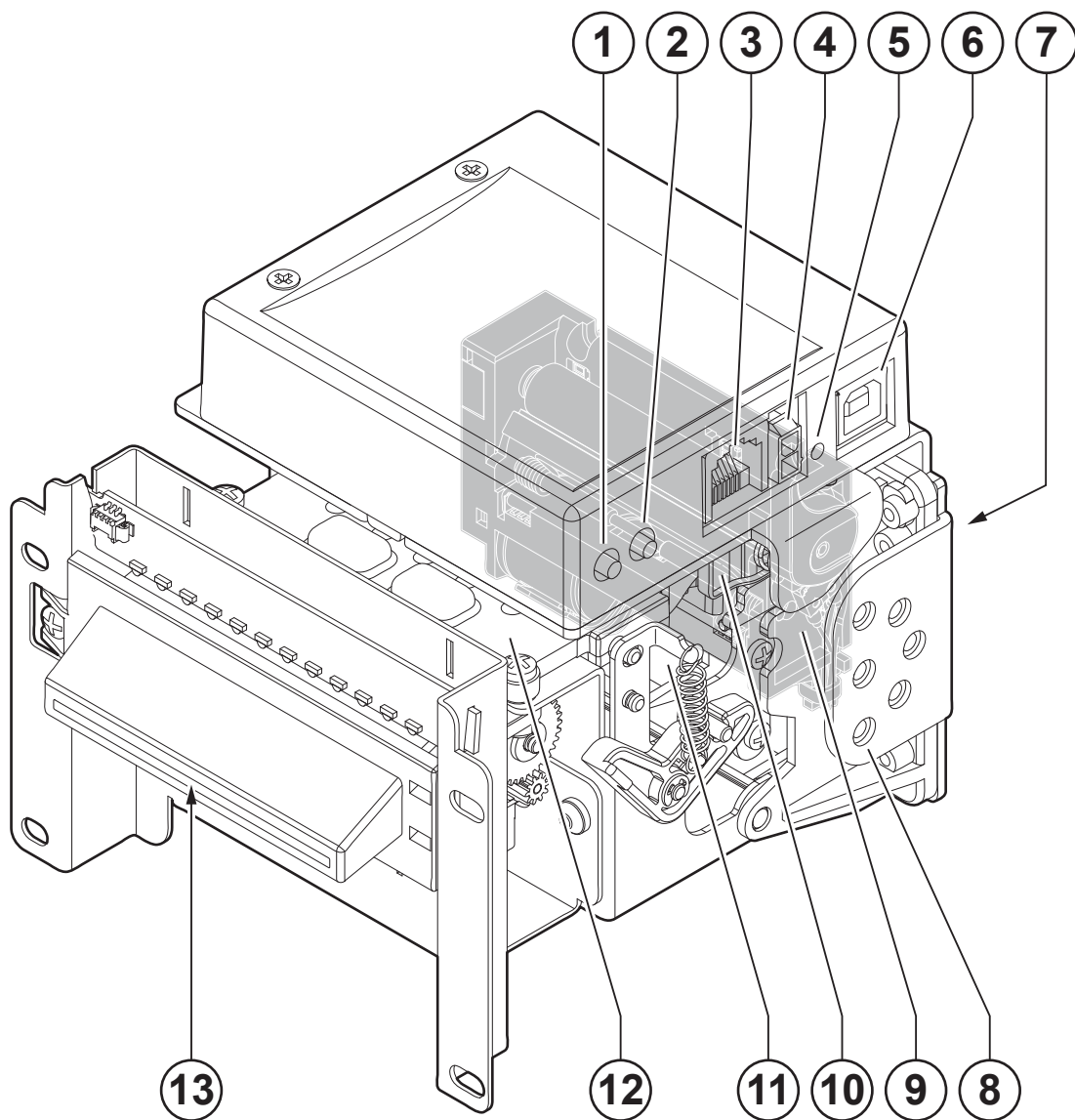
1. Inspection door
2. Platen roller manual feed
3. Device chassis
4. Paper input
5. USB port
6. Status LED
7. Power supply port
8. RS232 serial port
9. Printing mechanism
10. FEED key
11. PRINT key
12. Paper output





TG2460HIII EJC

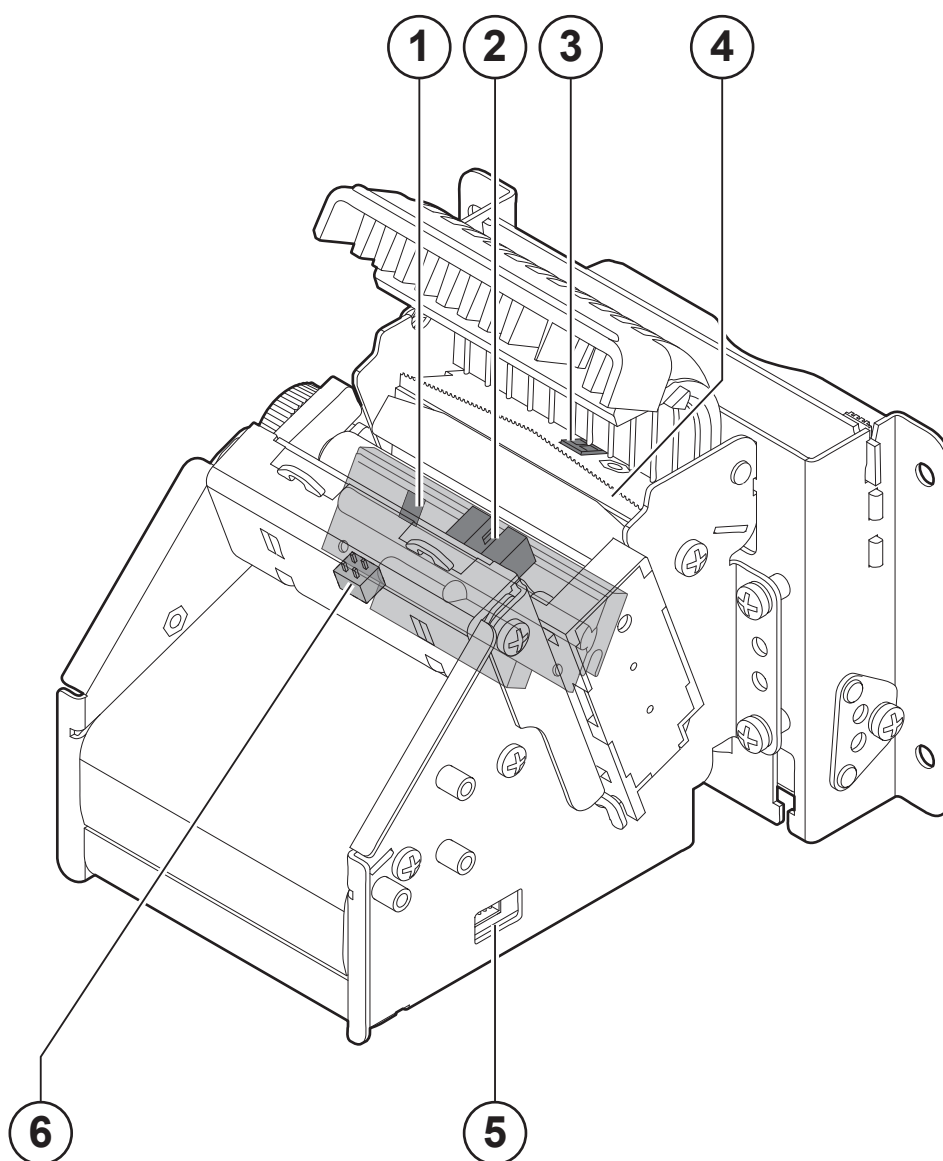
1. PRINT key
2. FEED key
3. RS232 serial port
4. Power supply port
5. Status LED
6. USB port
7. Paper input
8. Device chassis
9. Printing mechanism
10. Unlocking hook for autocutter group
11. Autocutter
12. Ejector group
13. Paper output



3.3 Device components: internal view

TG1260HIII CUT, TG1260HIII BP, TG1260HIII CUT BP, TG1260HIII CHROMED,
TG2460HIII CHROMED, TG2460HIII TRANSP, TG2460HIII CUT

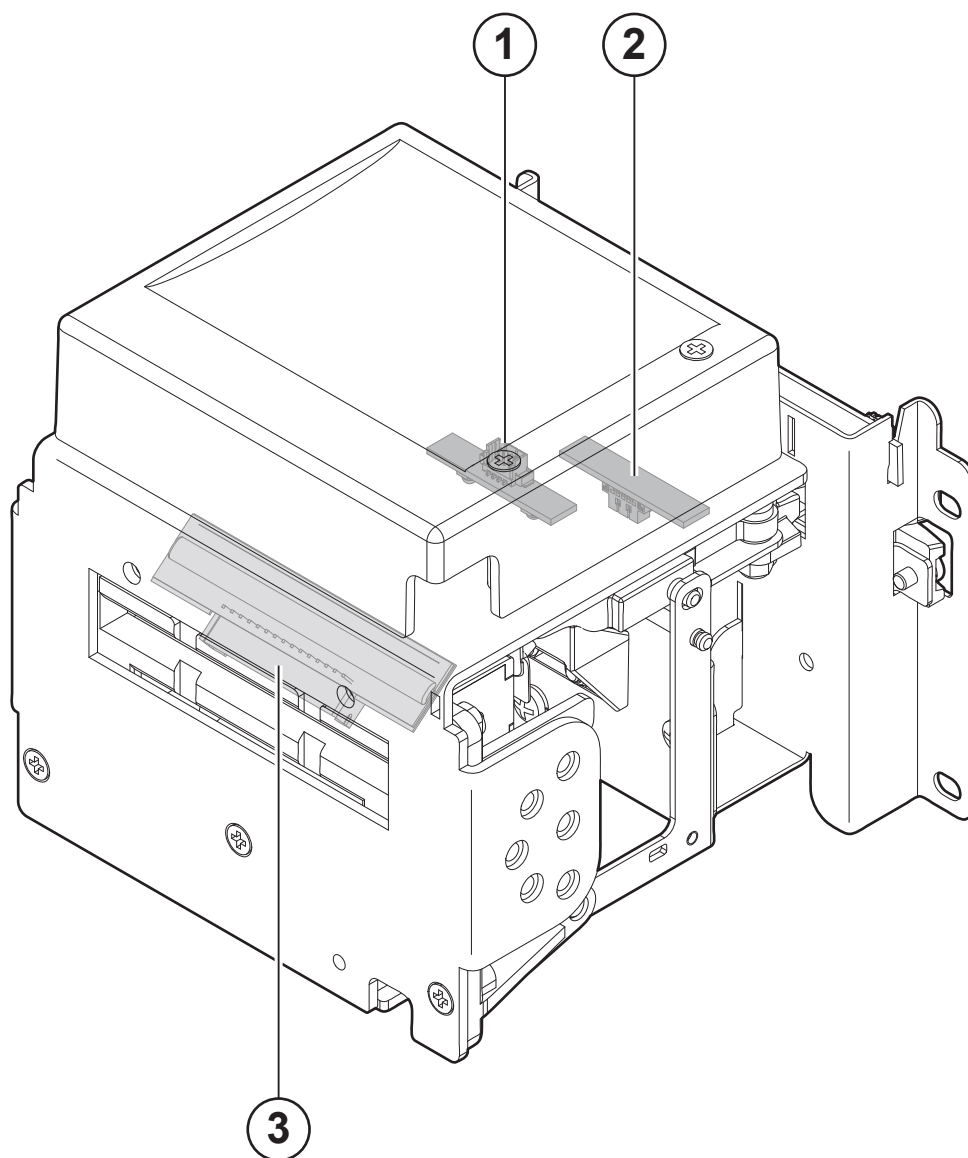
1. Temperature sensor for printhead
2. Sensor for detection of inspection door opening
3. Sensors for detecting paper out presence
4. Serrated blade for manual tear off
5. Connector for external low paper sensor
6. Sensor for detecting black mark and paper in presence





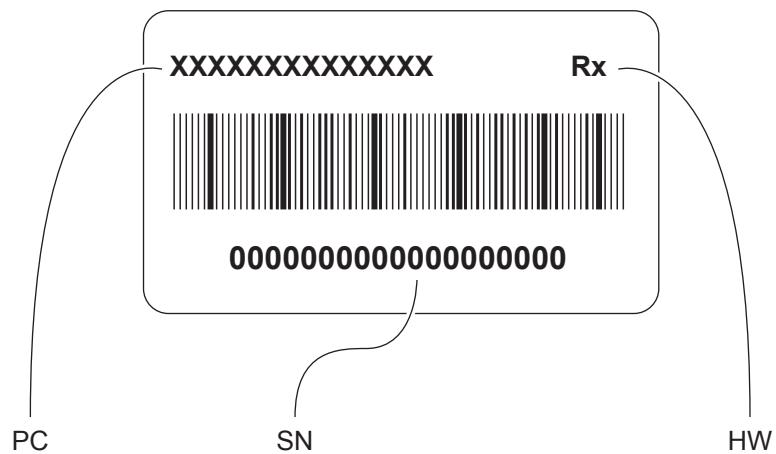
TG2460HIII EJC

1. Sensor for detecting black mark and paper in presence
2. Sensors for detecting paper out presence
3. Temperature sensor for printhead



3.4 Product label

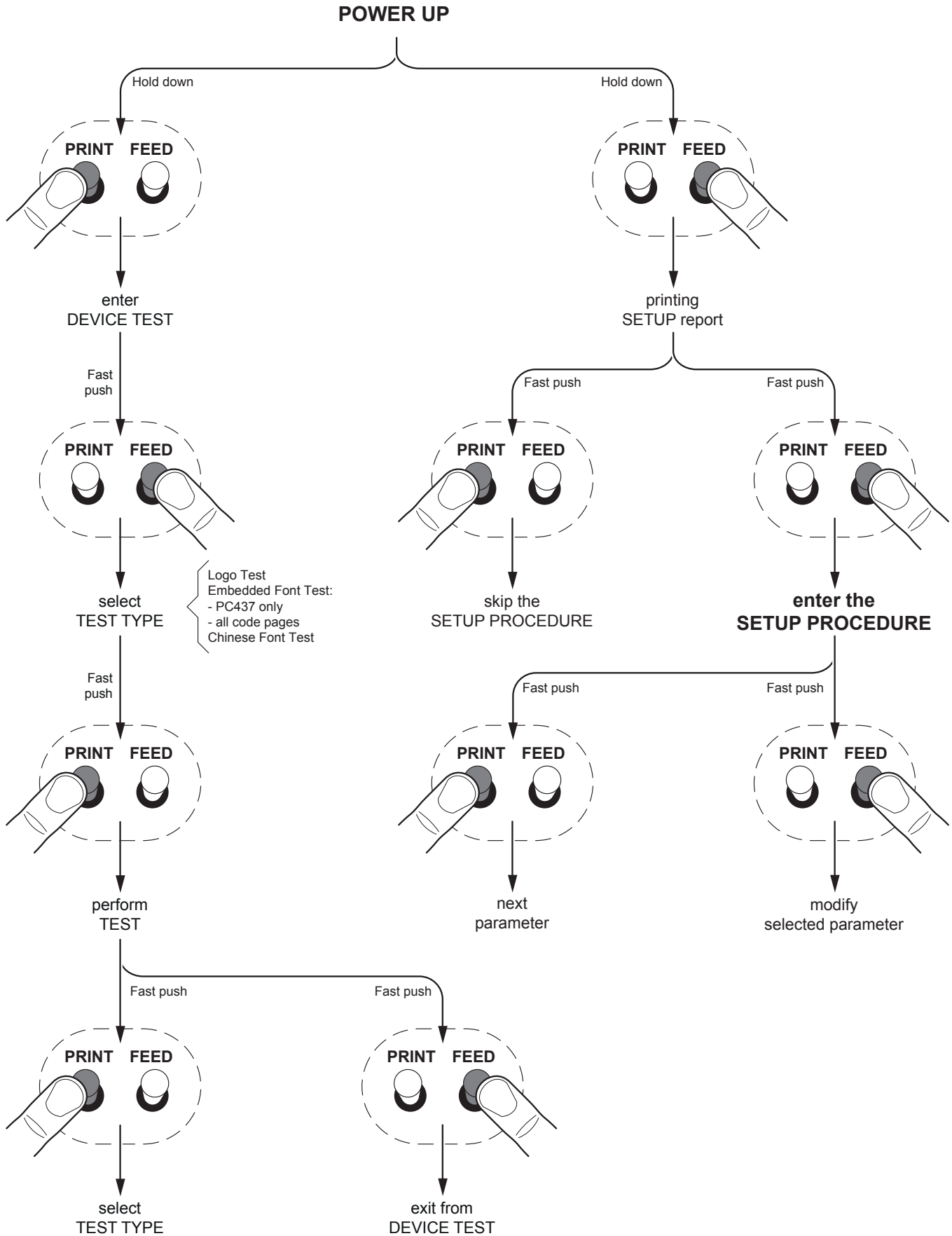
PC = Product code (14 digits)
SN = Serial number
HW = Hardware release





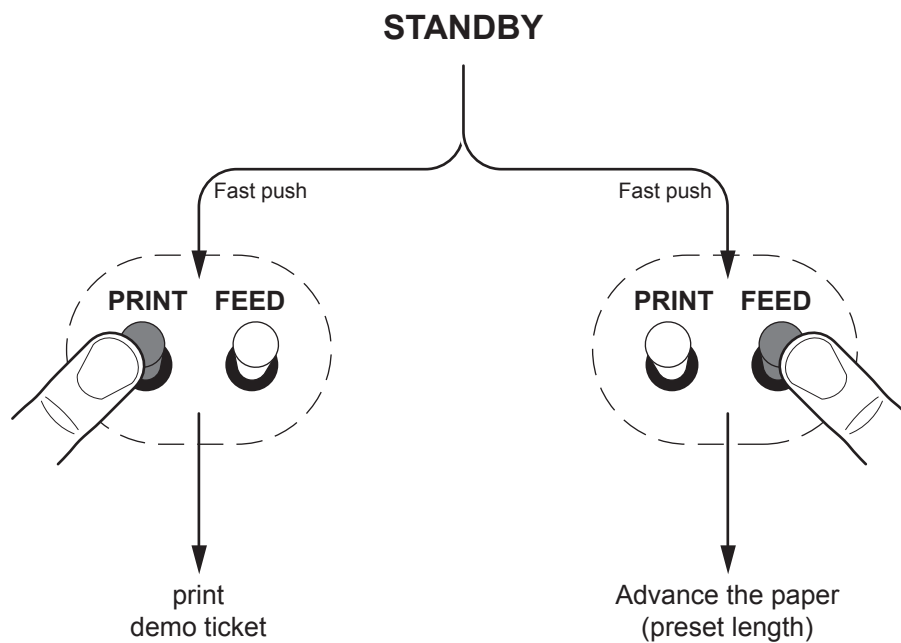
3.5 Key functions: power up

The following figure shows the functions of device's keys according to the operating condition.



3.6 Key functions: standby

The following figure shows the functions of device's keys according to the operating condition.





3.7 Status messages

The status LED indicates hardware status of device. Given in the table below are the various LED signals and the corresponding device status.

STATUS LED		DESCRIPTION
-	OFF	DEVICE OFF
GREEN	ON	DEVICE ON: NO ERROR
GREEN COMMUNICATION STATUS	x 1	RECEIVE DATA
	x 2	PRINthead OVERHEATED
	x 3	PAPER END
	x 4	POWER SUPPLY VOLTAGE INCORRECT
	x 5	RECEPTION ERROR (PARITY, FRAME ERROR, OVERRUN ERROR)
	x 6	COMMAND NOT RECOGNIZED
	x 7	COMMAND RECEPTION TIME OUT
	x 8	INSPECTION DOOR OPEN ⁽¹⁾
	x 9	PAPER JAM
	x 10	LOW PAPER ⁽²⁾
GREEN UNRECOVERABLE ERROR	x 11	AUTOCUTTER ERROR ⁽³⁾

NOTES:

(1) : Only for TG1260HIII CUT, TG1260HIII BP, TG1260HIII CHROMED, TG2460HIII CHROMED, TG2460HIII TRANSP and TG2460HIII CUT.

(2) : Using device without the paper roll holder support, the status LED continues to blink with this kind of flashing in order to communicate the low paper error.

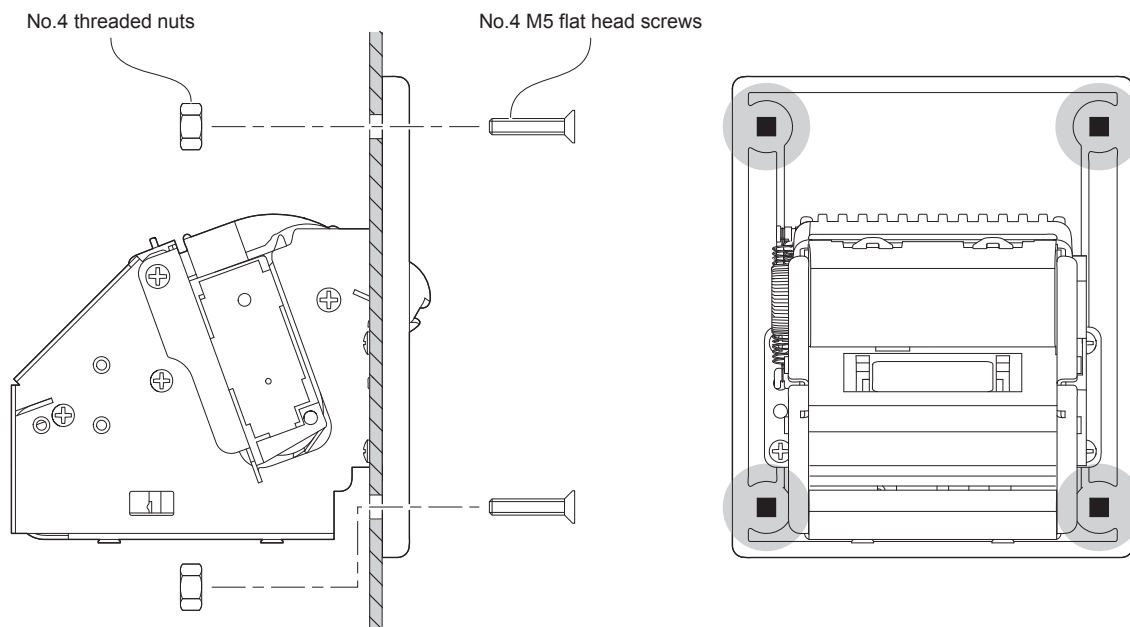
(3) : Only for TG1260HIII CUT, TG1260HIII CUT BP, TG2460HIII CUT and TG2460HIII EJC.

4 INSTALLATION

4.1 Panel fastening

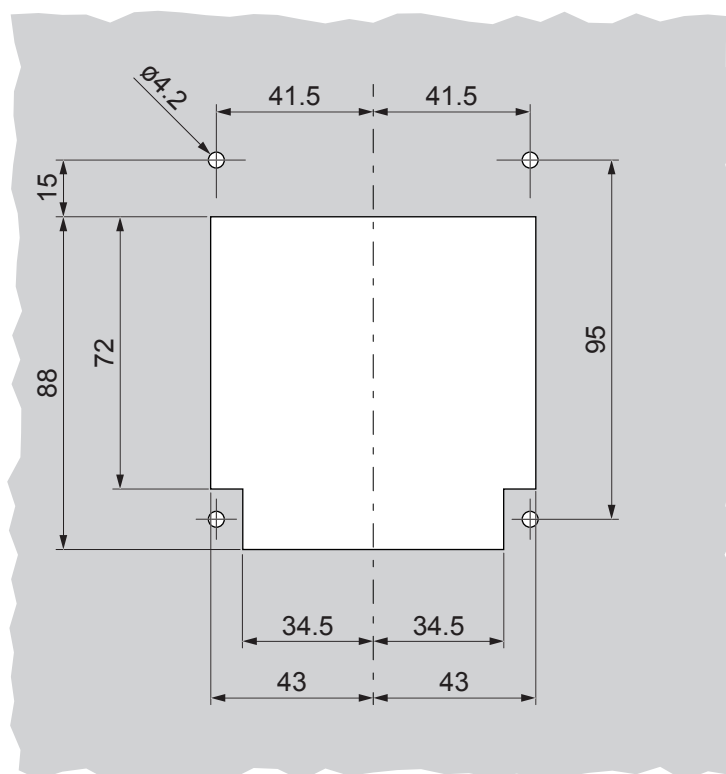
The device is provided with four fixing holes on the front of device (see following figure). All the dimensions shown in the following figures are in millimetres.

TG1260HIII BP, TG1260HIII CUT BP



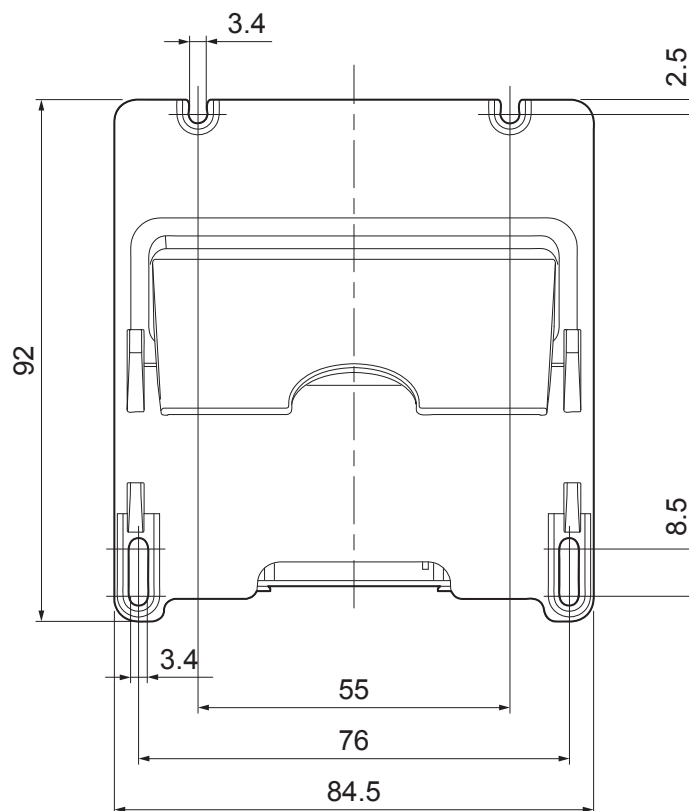
To fasten the device to a panel, use four M5 screws and four nuts (not included).

The drilling on the panel must comply with the measures shown in the following figure.



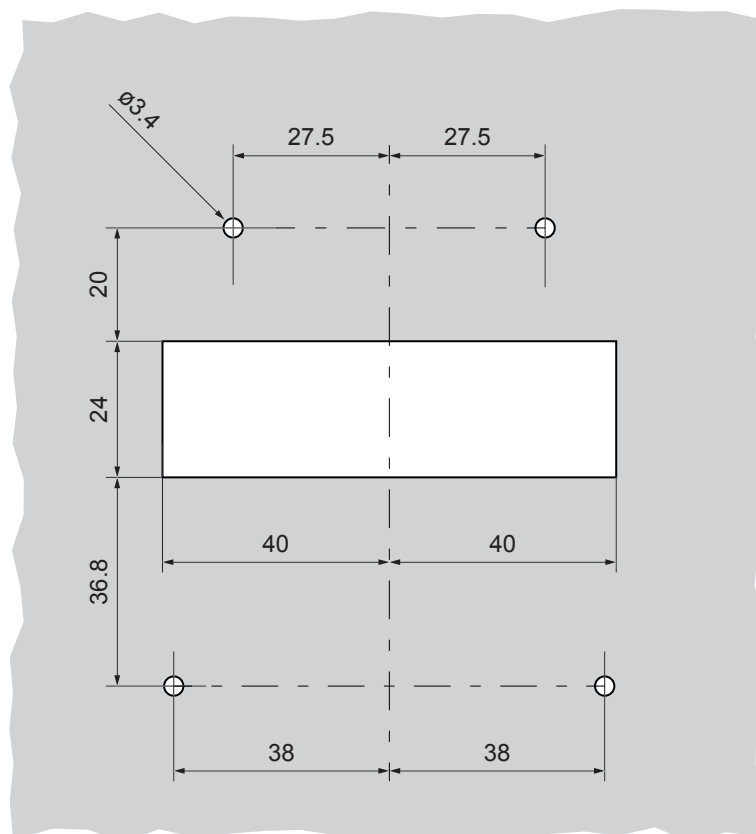


TG1260HIII CHROMED, TG2460HIII CHROMED



To fasten the device to a panel, use four M4 screws and four nuts (not included).

The drilling on the panel must comply with the measures shown in the following figure.

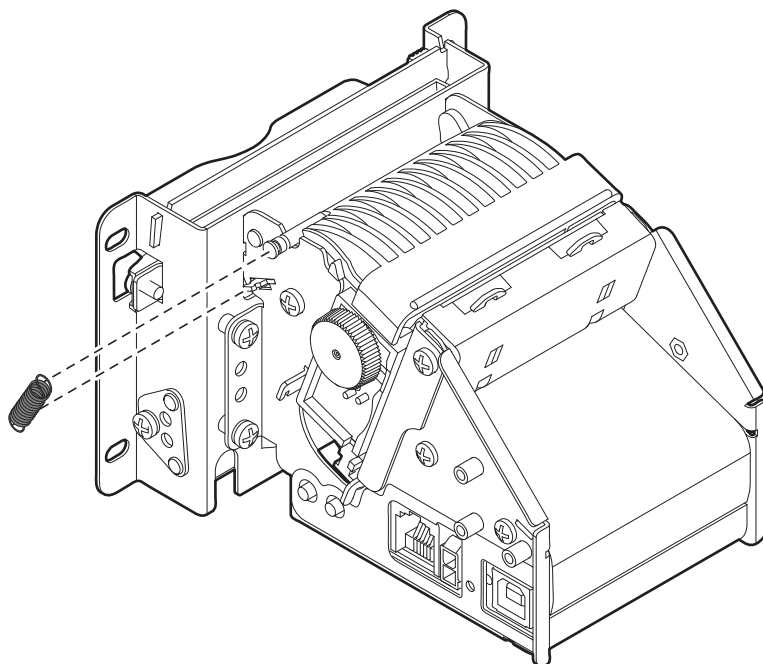


4.2 Fastening position

TG1260HIII CUT, TG2460HIII CHROMED, TG2460HIII TRANSP, TG2460HIII CUT

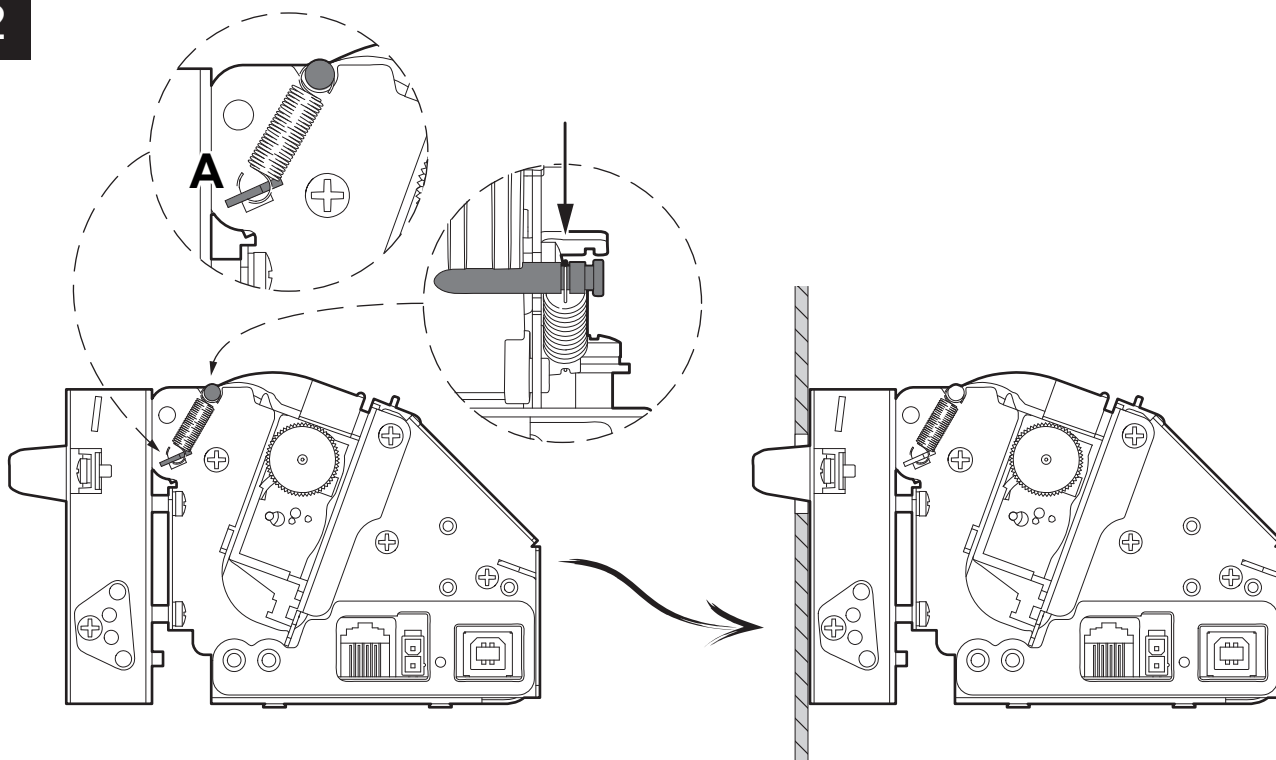
To install the device in the standard position or in the upside down position proceed as follows:

1



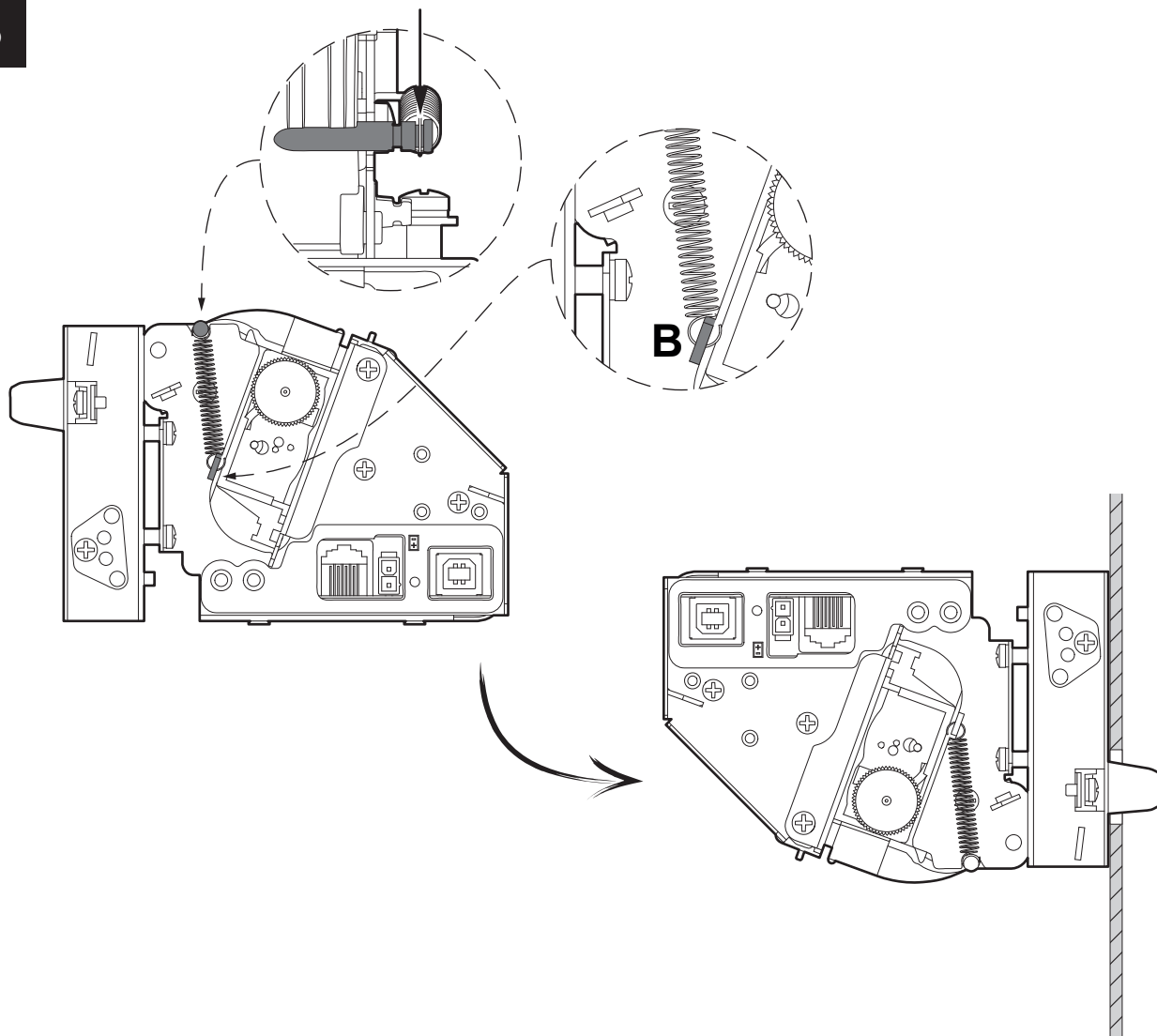
Remove the spring of the inspection door.

2



For using device in standard position, fix the lower side of the spring in the point A and the upper side in the inner groove of the plastic pin of the inspection door.

3

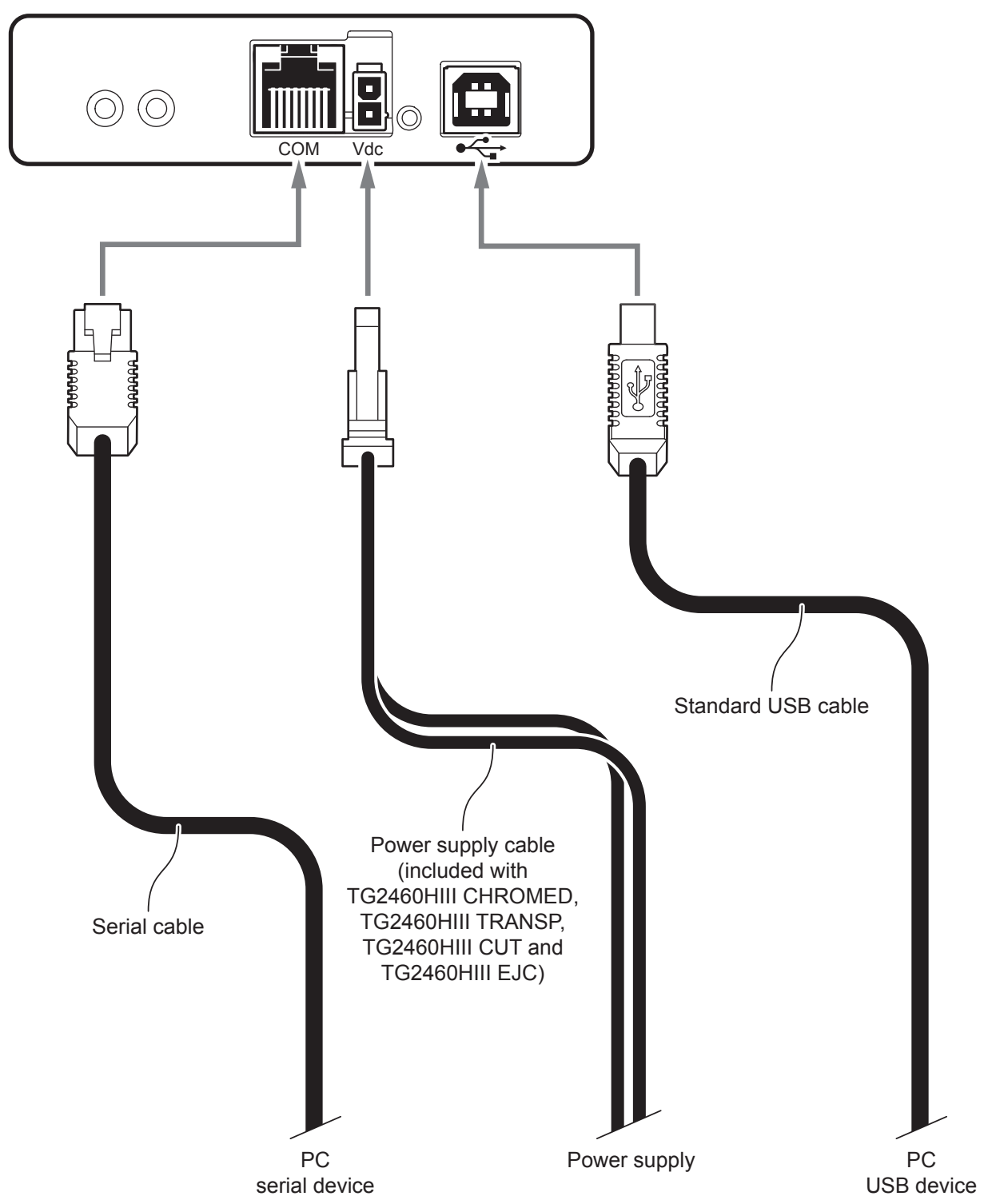


For using device in upside down position, fix the lower side of the spring in the point B and the upper side in the outer groove of the plastic pin of the inspection door.



4.3 Connections

The following figure shows the possible connections for the device. When the RS232 and USB communication cables are connected to the device at the same time, the communication take place via the USB port.



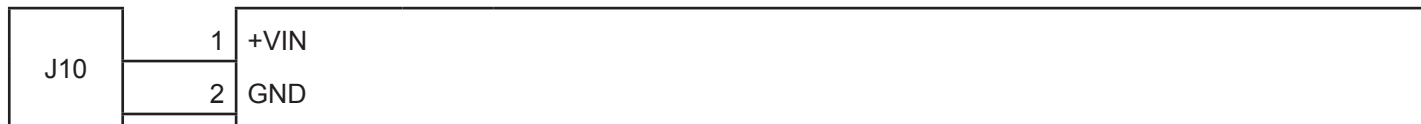
ATTENTION: In some using conditions, we recommend the installation of a ferrite core on the power supply cable.

4.4 Pinout



POWER SUPPLY

Male Molex connector series 5569 vertical (n° 39-30-1020)



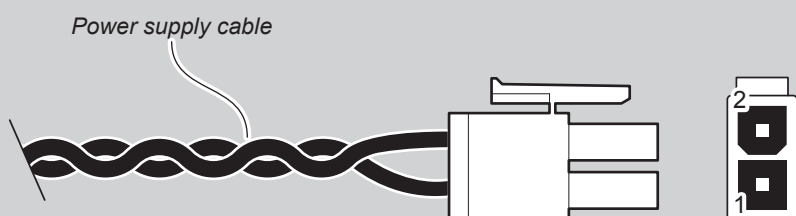
ATTENTION:

Respect power supply polarity.

NOTE: Power supply cable

The following figure shows the connector pinout of the power supply cable for the device:

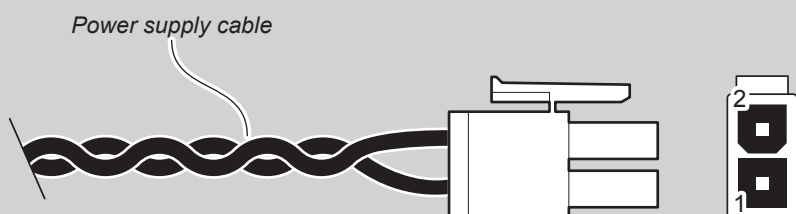
TG1260HIII CUT, TG1260HIII BP, TG1260HIII CUT BP, TG1260HIII CHROMED



Female Molex connector series 5557 (n.39-01-3022)

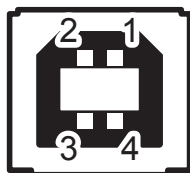
PIN	Cable color	Signal
1	Red	+12 V
2	Black	GND

TG2460HIII CHROMED, TG2460HIII TRANSP, TG2460HIII CUT, TG2460HIII EJC



Female Molex connector series 5557 (n.39-01-3022)

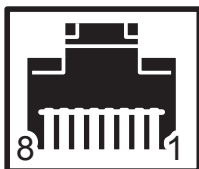
PIN	Cable color	Signal
1	Red	+24 V
2	Black	GND



USB INTERFACE

Female USB type B connector





SERIAL INTERFACE

Female RJ45 connector

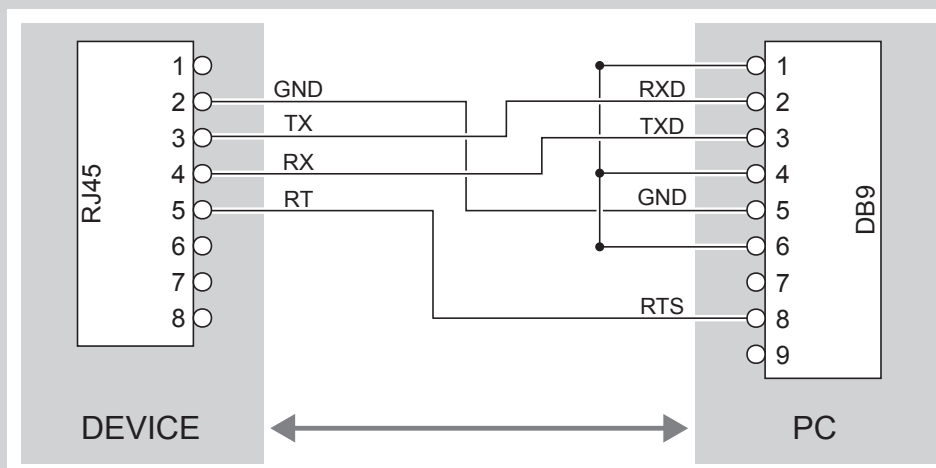
J2	1	n.c.	
	2	GND	
	3	TX	(out) During transmission, takes the values -VRS232 and +VRS232 depending on data
	4	RX	(in) During reception, takes the values -VRS232 and +VRS232 depending on data
	5	RT	(out) When +VRS232, device is ready to receive data
	6	n.c.	
	7	n.c.	
	8	n.c.	

NOTES:

Given the presence of the RS232 standard, logic value "0" corresponds to the voltage value +VRS232 (voltage value between +3 Vdc and +15 Vdc) and logic value "1" corresponds to the voltage value -VRS232 (voltage value between -3 Vdc and -15 Vdc).

DEVICE > PC connection

The following picture shows an example of connection between the device and a personal computer using an 8 pin serial RJ45 male connector and a 9 pin female connector.



When use a serial cable, we recommend the installation of a ferrite core on the power supply cable.



4.5 Driver and SDK

In the website www.custom4u.it are available the drivers for the following operating system:

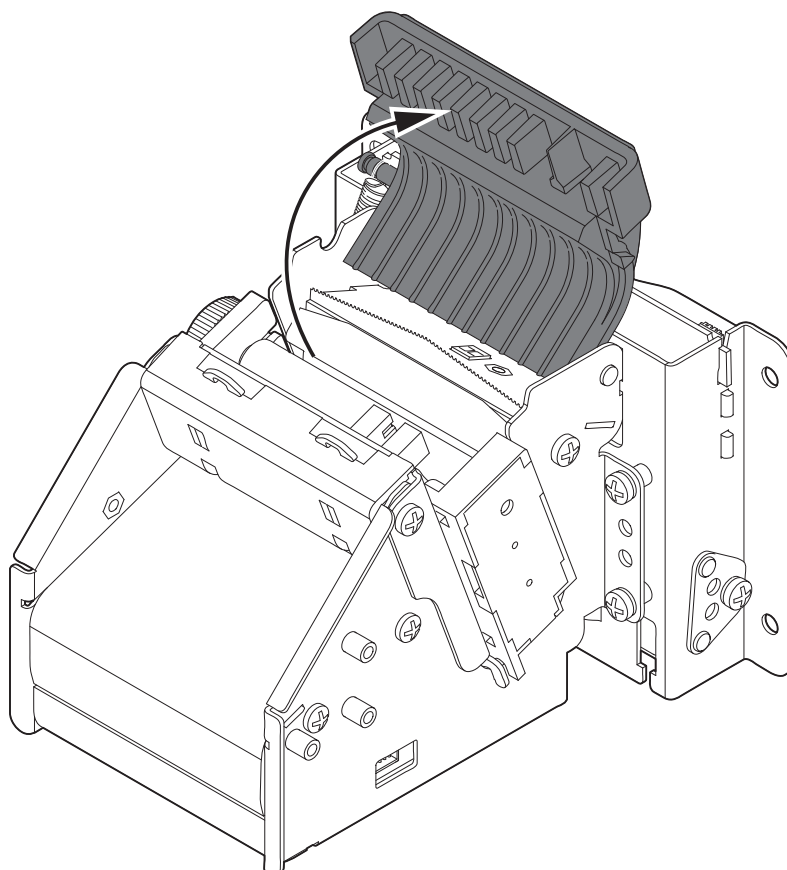
OPERATING SYSTEM	DESCRIPTION	INSTALLATION PROCEDURE
Windows	Driver for Windows XP	From the Start menu, press Run and type-in the path where the SW was saved on PC, then click OK. Follow the instructions on the screen to install the driver.
	Driver for Windows VISTA (32/64 bit)	
	Driver for Windows 7 (32/64 bit)	
	Driver for Windows 8 (32/64 bit)	
	Driver for Windows 8.1 (32/64 bit)	
	Driver for Windows 10 (32/64 bit)	
	Self-installing driver for Virtual COM (32/64 bit) (see paragraph 6.4)	
Linux	32/64 bit	Follow the instruction get back on the "Readme.txt" file. You can find it in the software package downloaded in advance.

5 OPERATION

5.1 Device opening

TG1260HIII CUT, TG1260HIII BP, TG1260HIII CUT BP, TG1260HIII CHROMED,
TG2460HIII CHROMED, TG2460HIII TRANSP, TG2460HIII CUT

To open the device rotate the inspection cover to the maximum opening position as shown in the following figure.

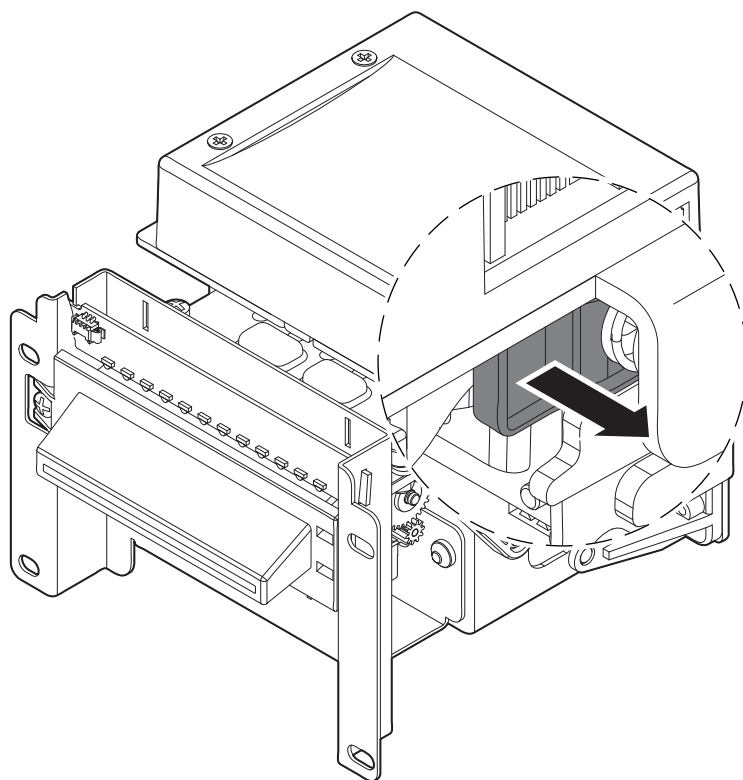




TG2460HIII EJC

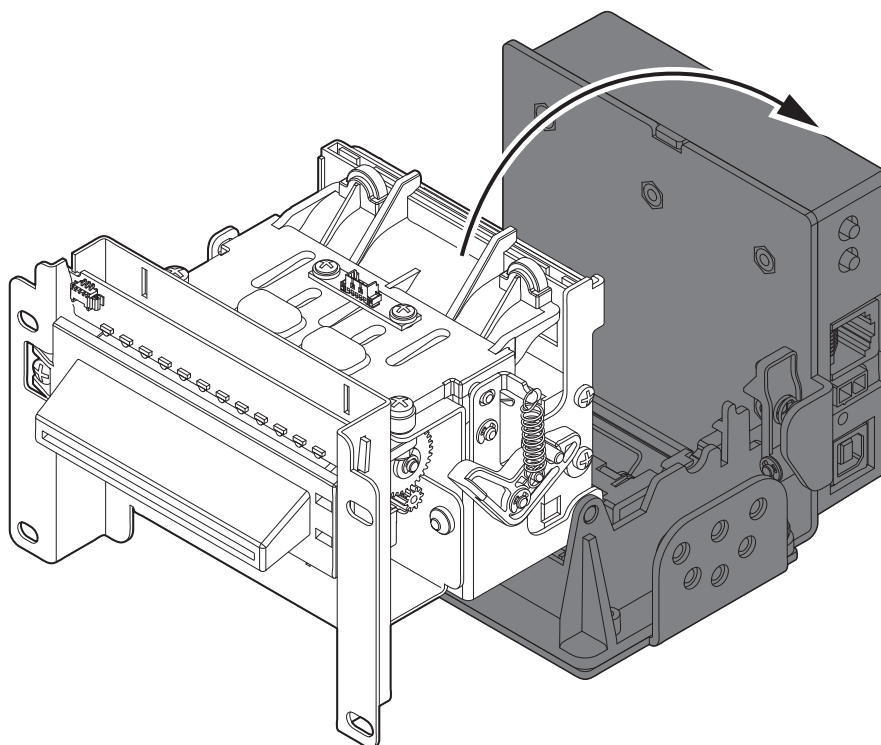
To open the device proceed as follows.

1



Widen the unlocking hook for the autocutter group.

2



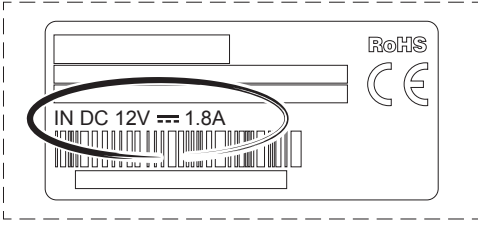
Rotate the autocutter group.



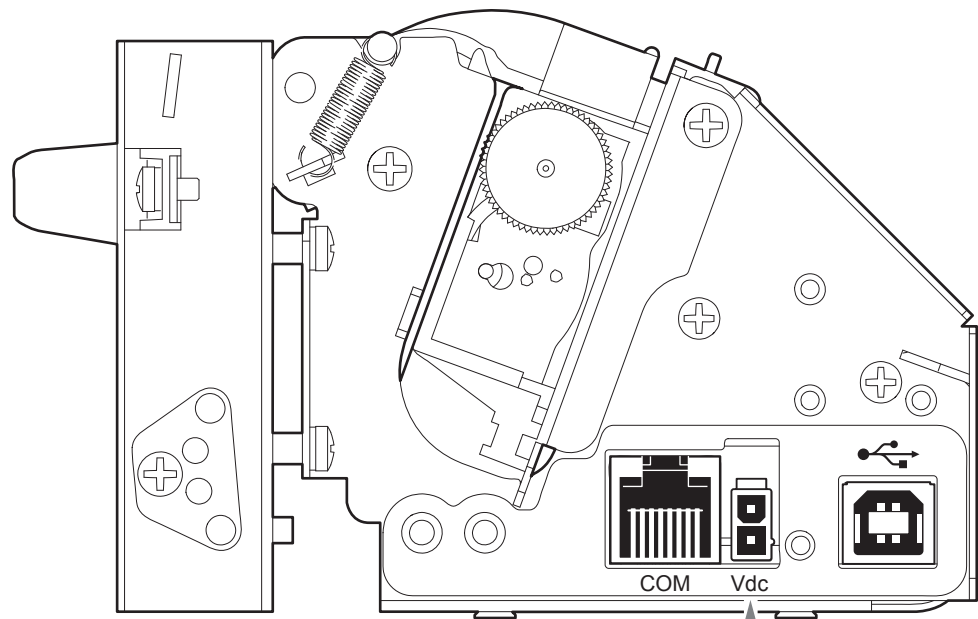
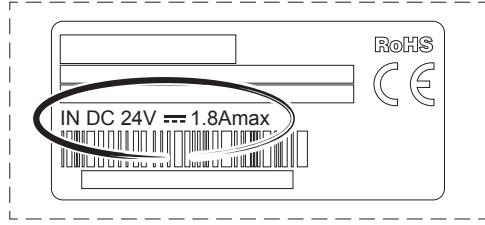
5.2 Switch the device on

1

TG1260HIII CUT,
TG1260HIII BP
TG1260HIII CUT BP
TG1260HIII CHROMED



TG2460HIII CHROMED,
TG2460HIII TRANSP,
TG2460HIII CUT,
TG2460HIII EJC

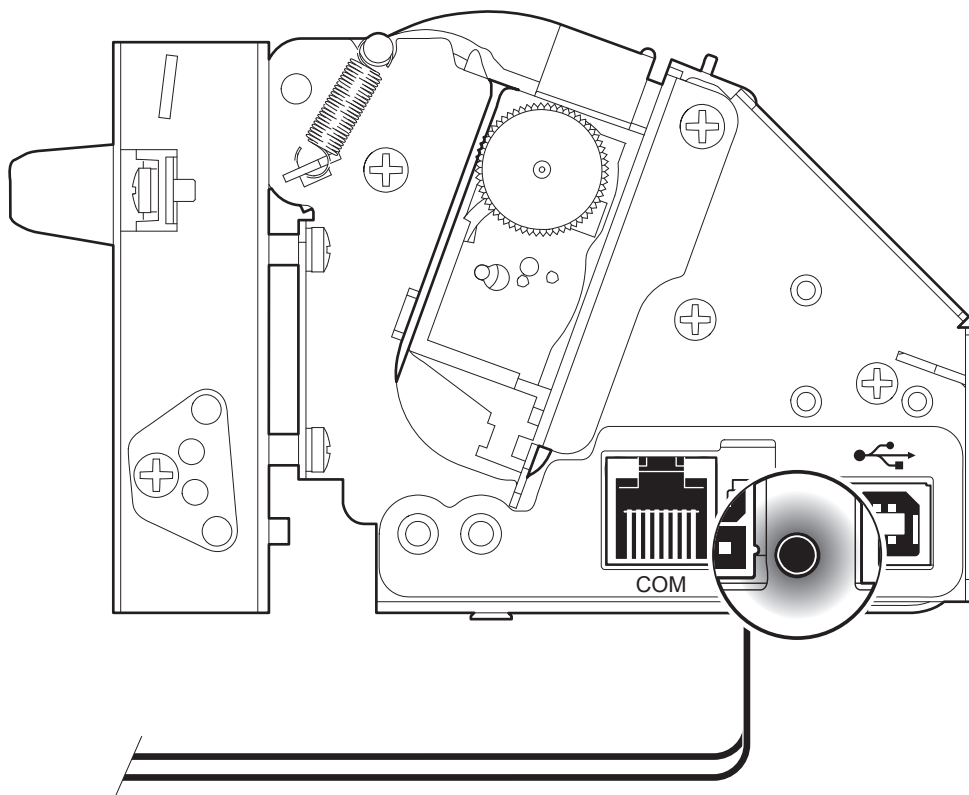


Power supply cable
(included with
TG2460HIII CHROMED,
TG2460HIII TRANSP,
TG2460HIII CUT,
TG2460HIII EJC)

EXTERNAL
POWER SUPPLY
(OPTIONAL)

Connect the power supply cable to an external power supply unit and to the device.
Use the type of electrical power supply indicated on the label.

2

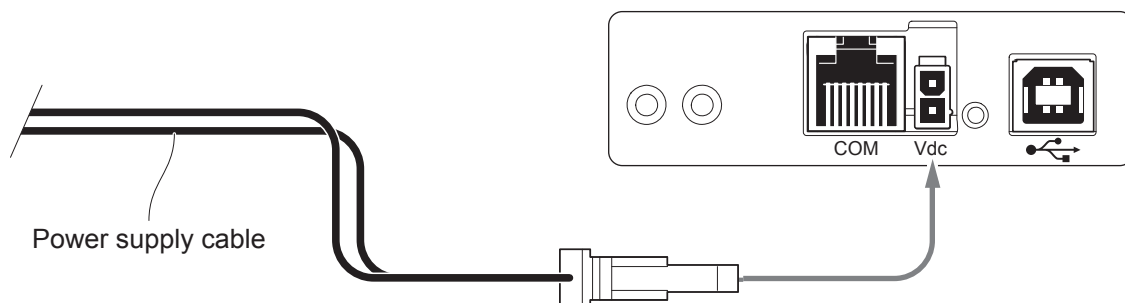


The green status LED turns on and the device is ready.

5.3 Loading the paper roll

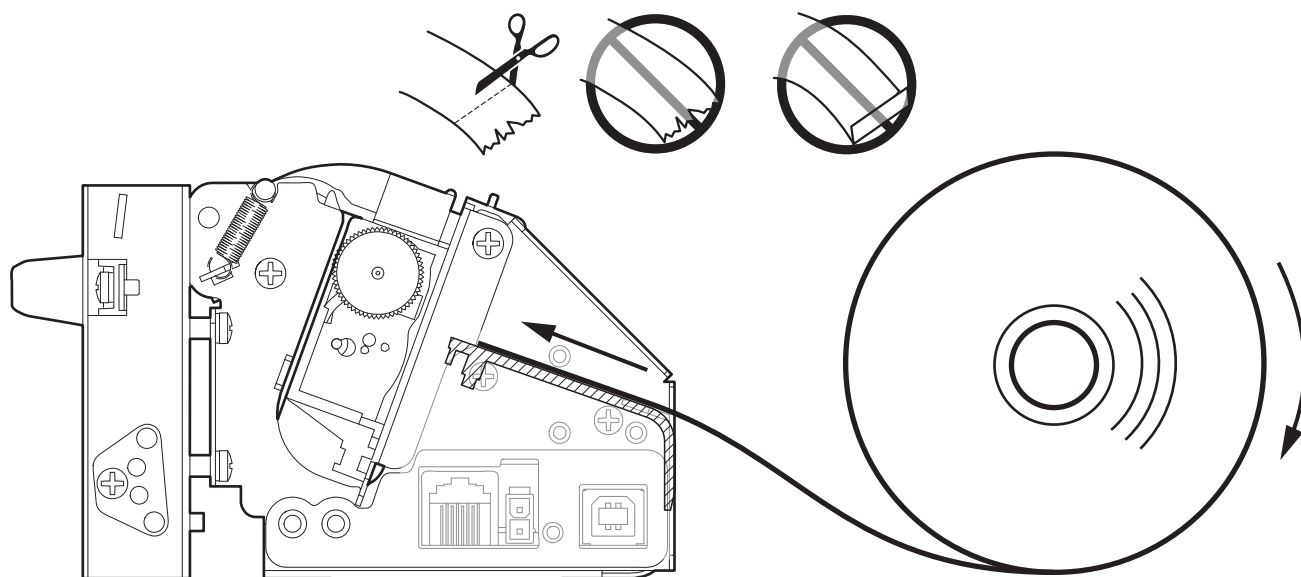
To change the paper proceed as follows. At every change of paper, check inside the device.

1



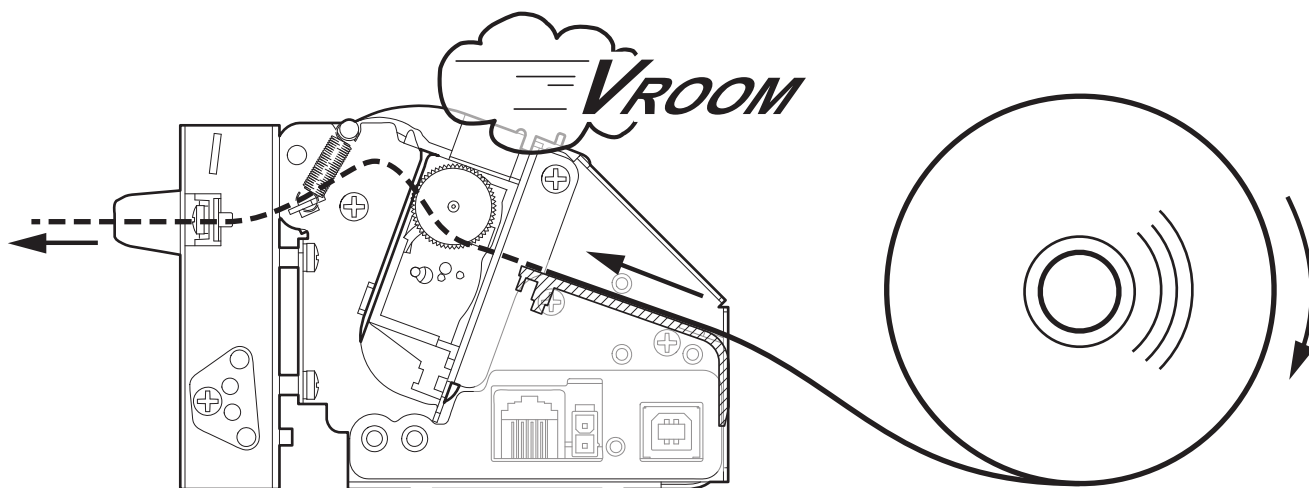
Switch on the device
(see [paragraph 5.2](#)).

2



Insert the paper into the the input mouth
so that it unrolls correctly, as shown in figure.

3



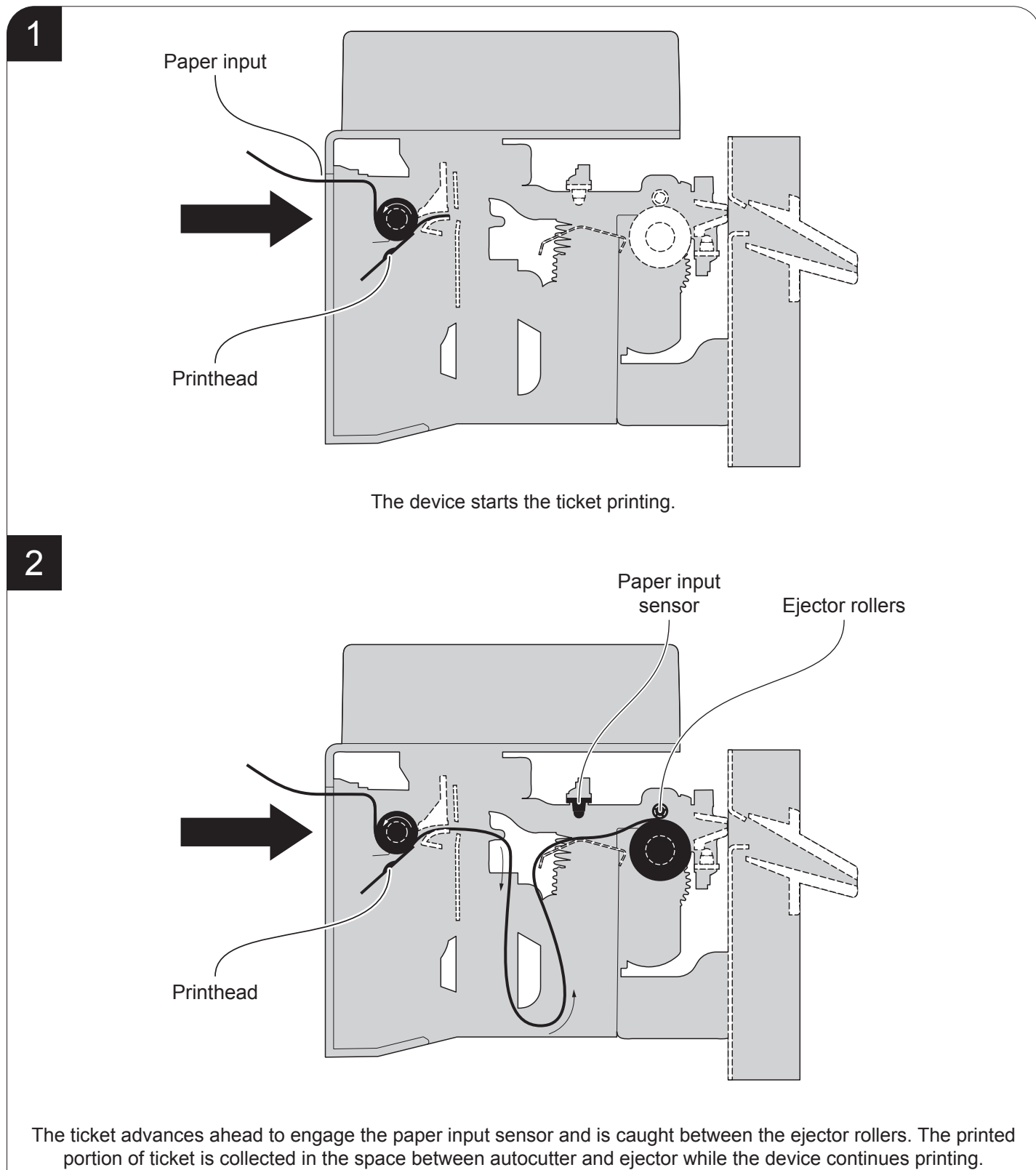
Wait until the paper is automatically loaded and cut.

5.4 Issuing ticket

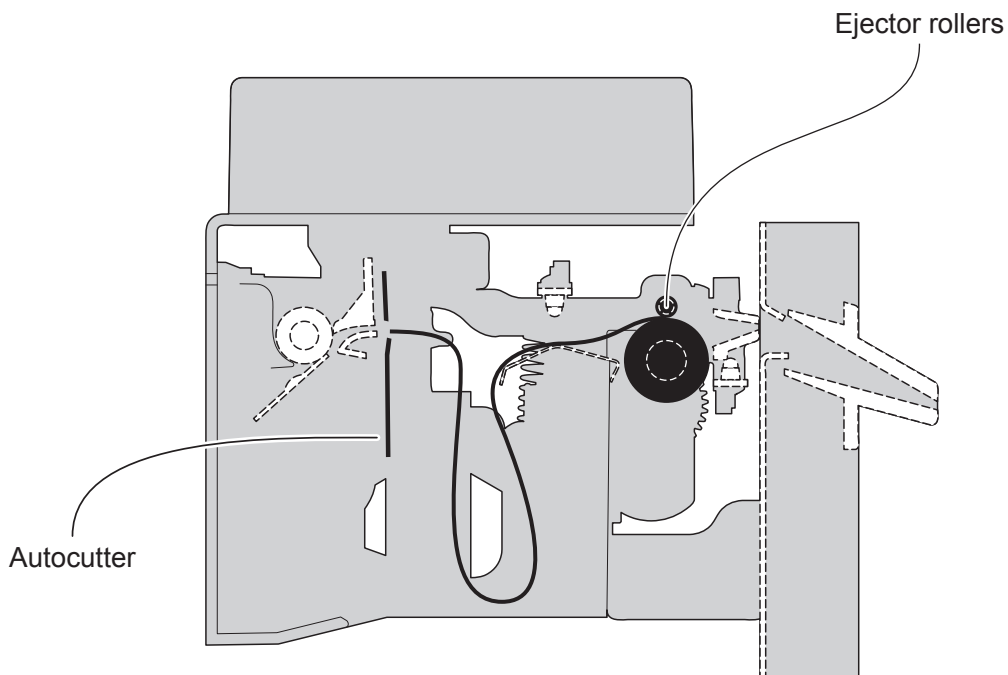
TG2460HIII EJC

The device allows you to choose between different operating modes for the issuance of printed tickets. The operating modes shown in the following images, depend on the commands sent to the device.

“EJECT” mode

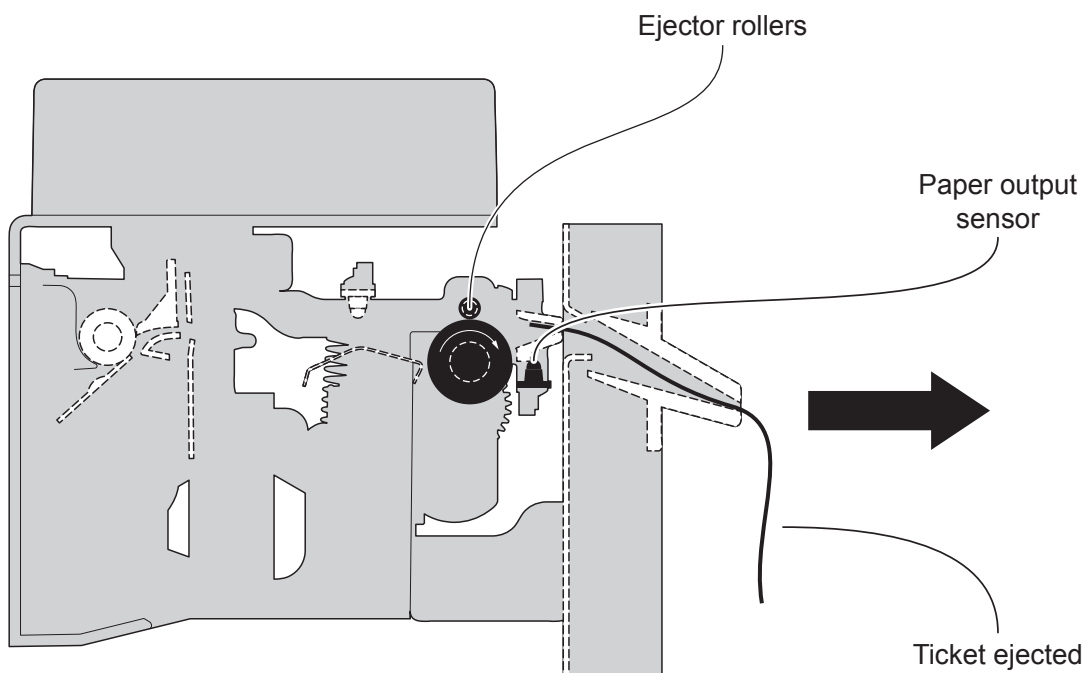


3



When printing ends, the device cuts the printed ticket.

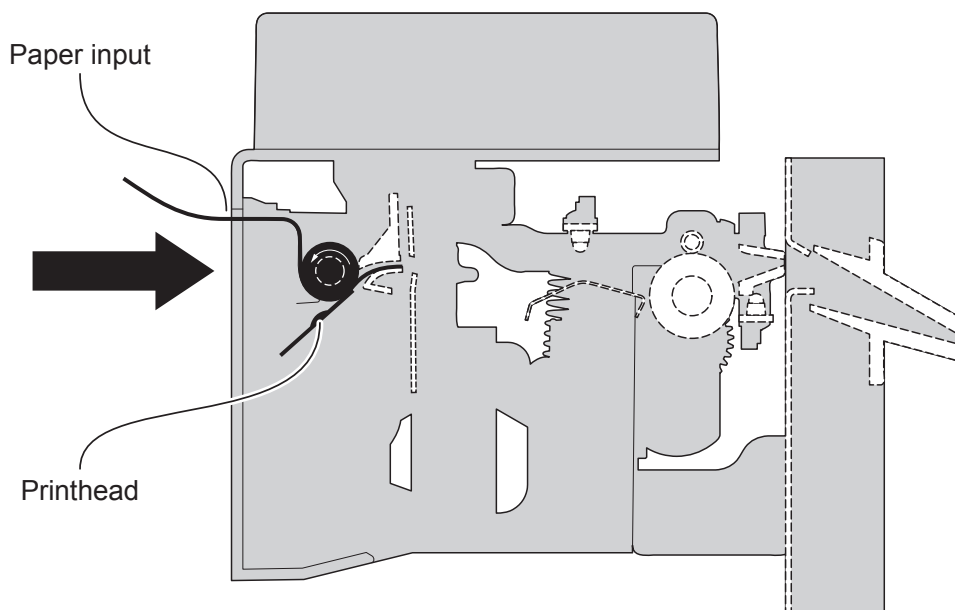
4



The device directly ejects the ticket.

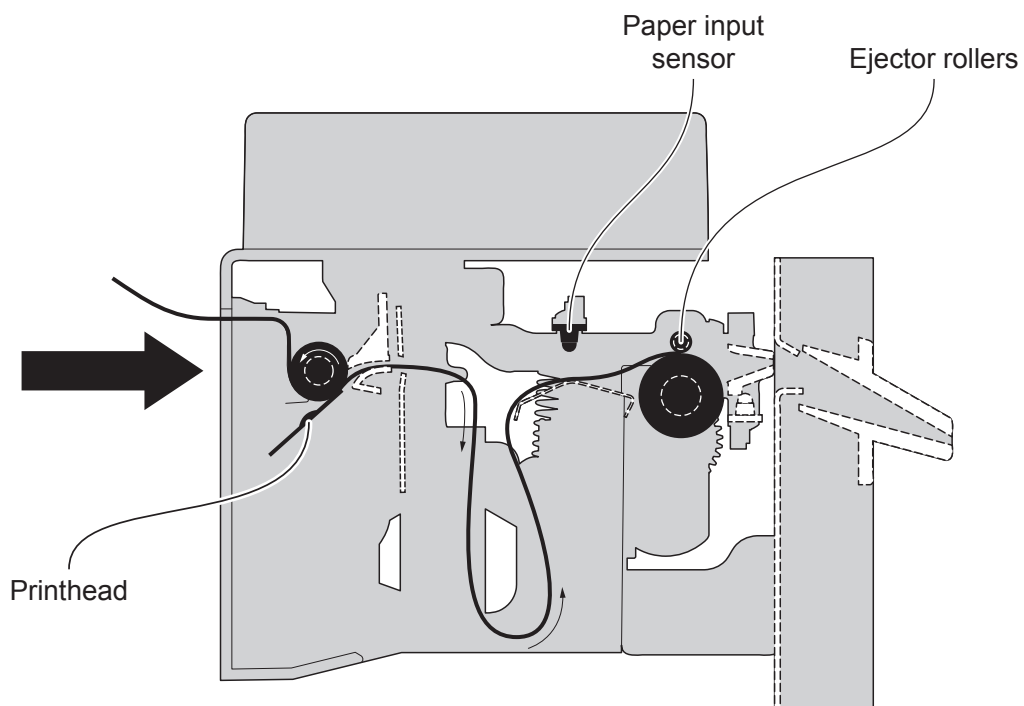
“PRESENT-EJECT” mode

1



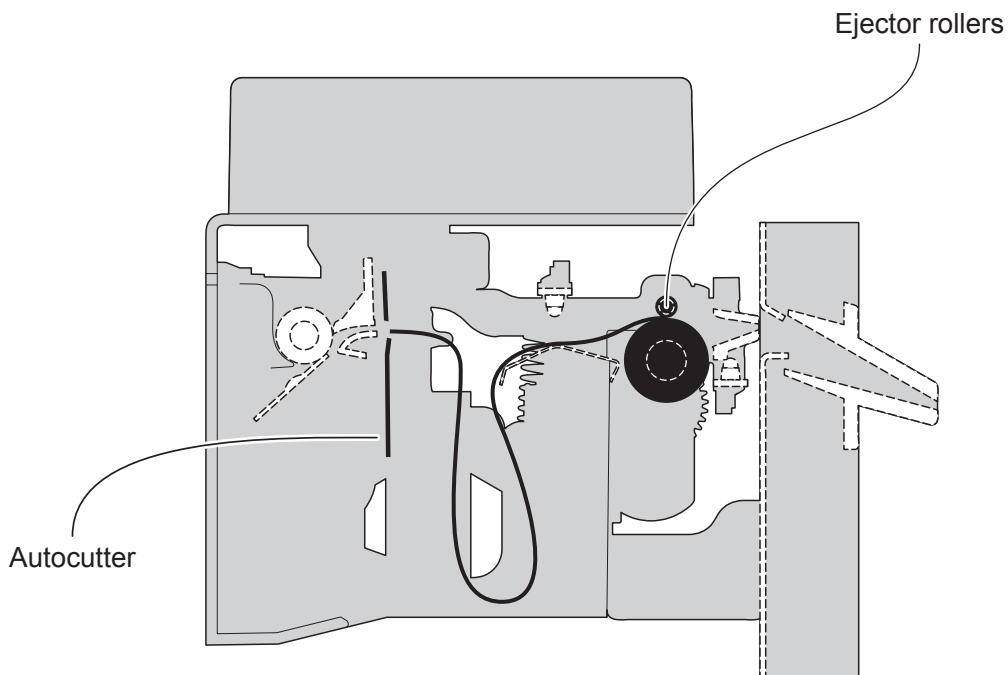
The device starts the ticket printing.

2



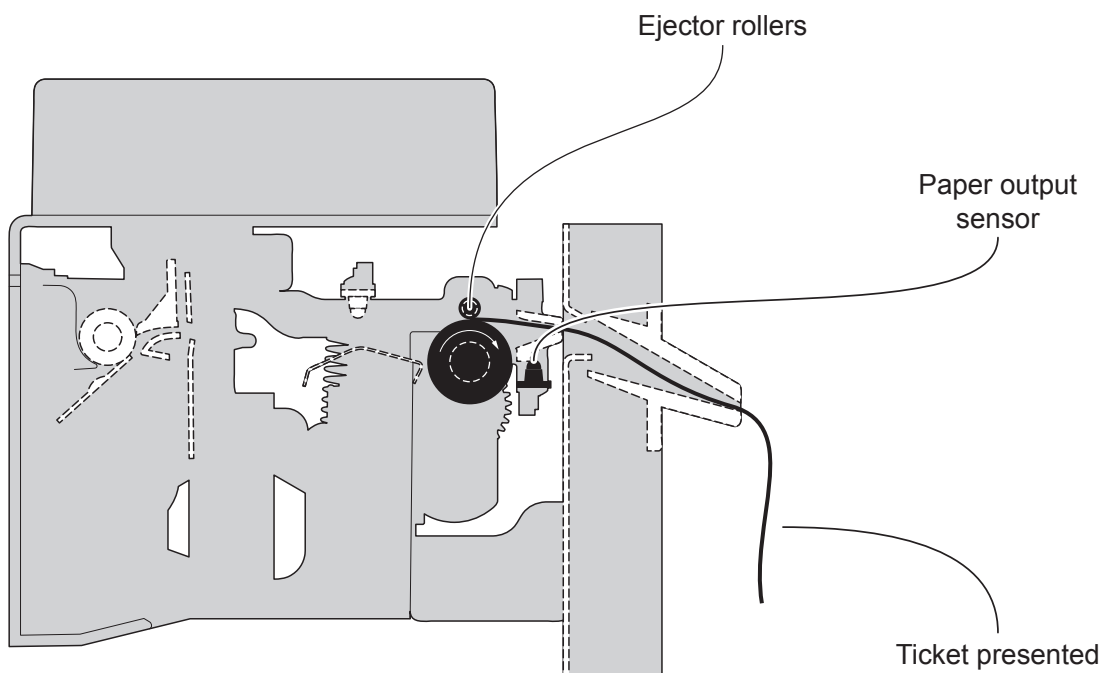
The ticket advances ahead to engage the paper input sensor and is caught between the ejector rollers. The printed portion of ticket is collected in the space between autocutter and ejector while the device continues printing.

3



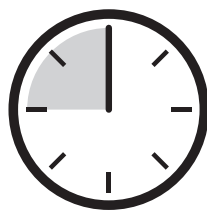
When printing ends, the device cuts the printed ticket.

4



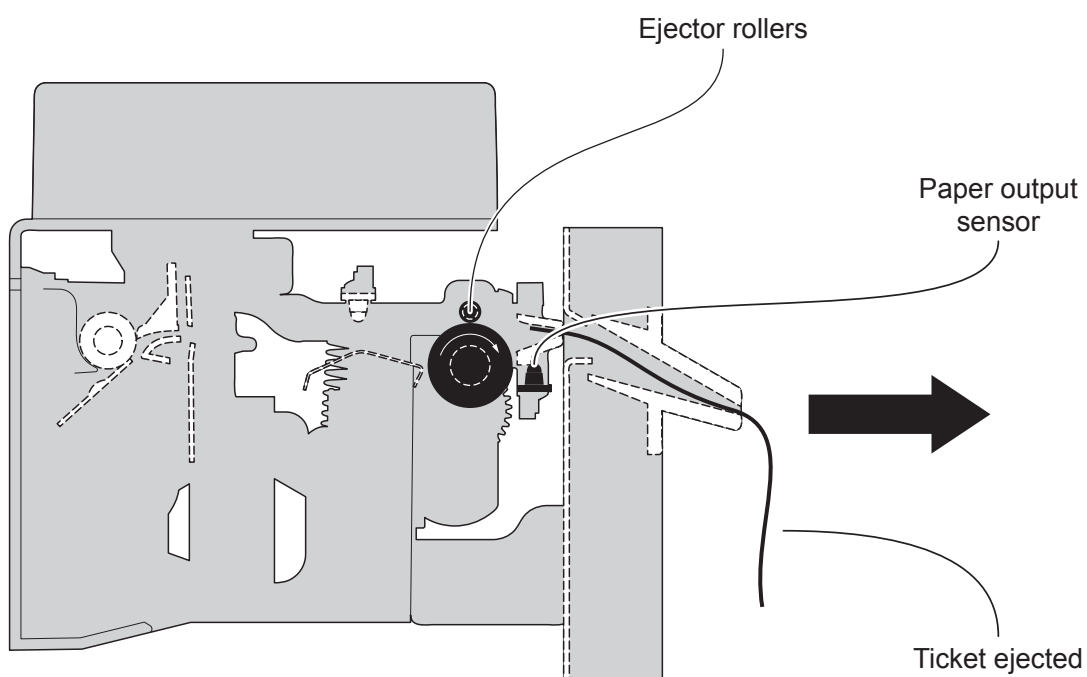
The device presents the ticket on the paper mouth.

5



The ticket is waiting on the paper mouth for a preset period of time.

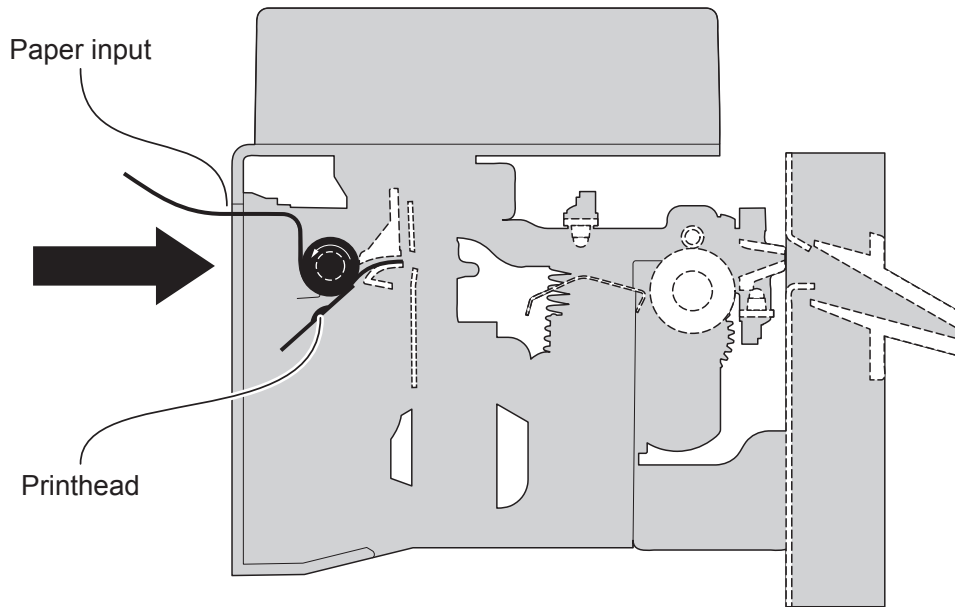
6



The device directly ejects the ticket.

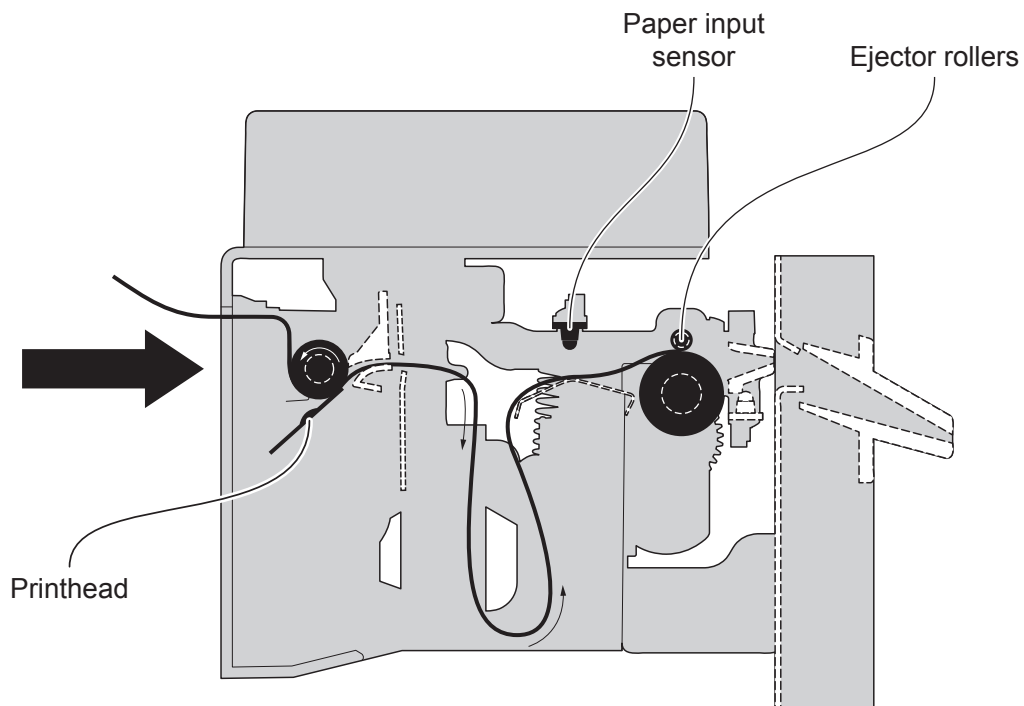
“PRESENT” mode

1



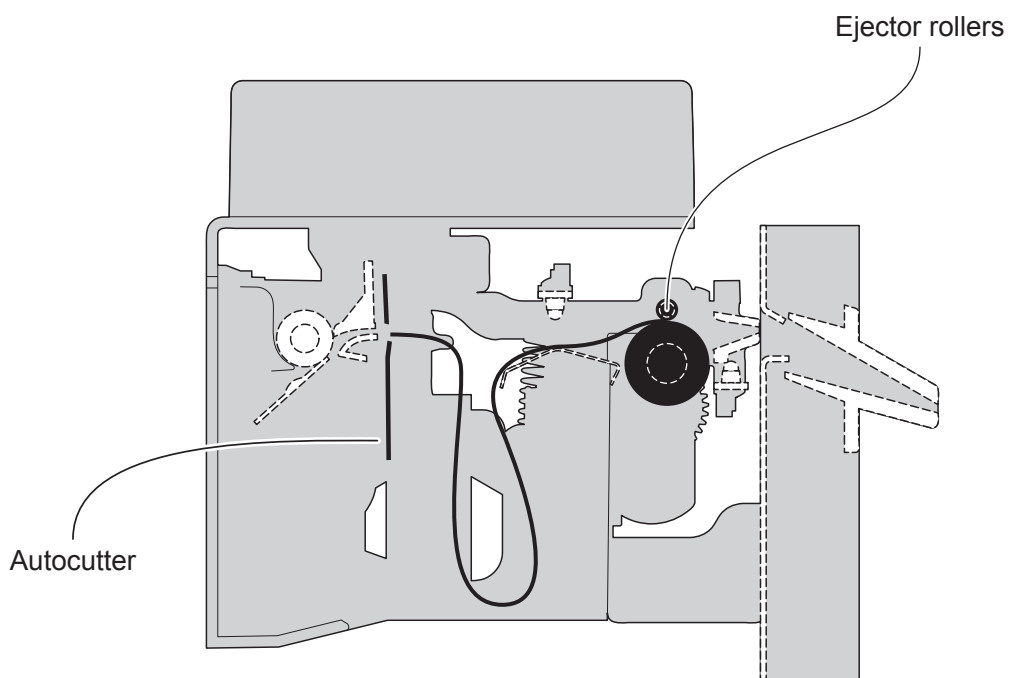
The device starts the ticket printing.

2



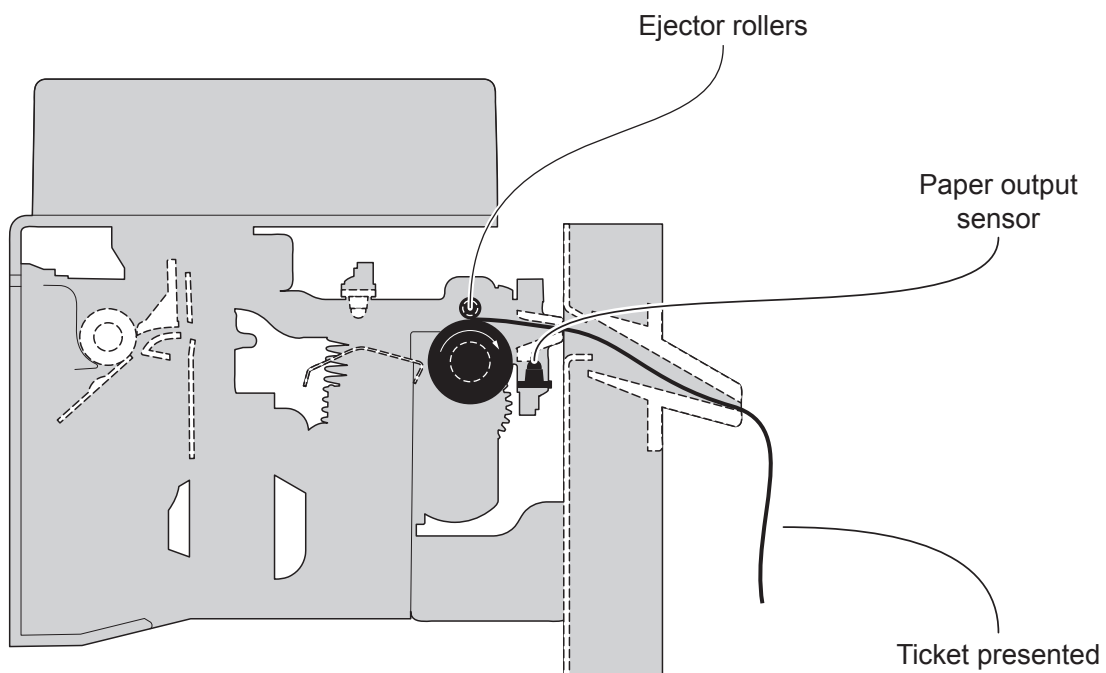
The ticket advances ahead to engage the paper input sensor and is caught between the ejector rollers. The printed portion of ticket is collected in the space between autocutter and ejector while the device continues printing.

3



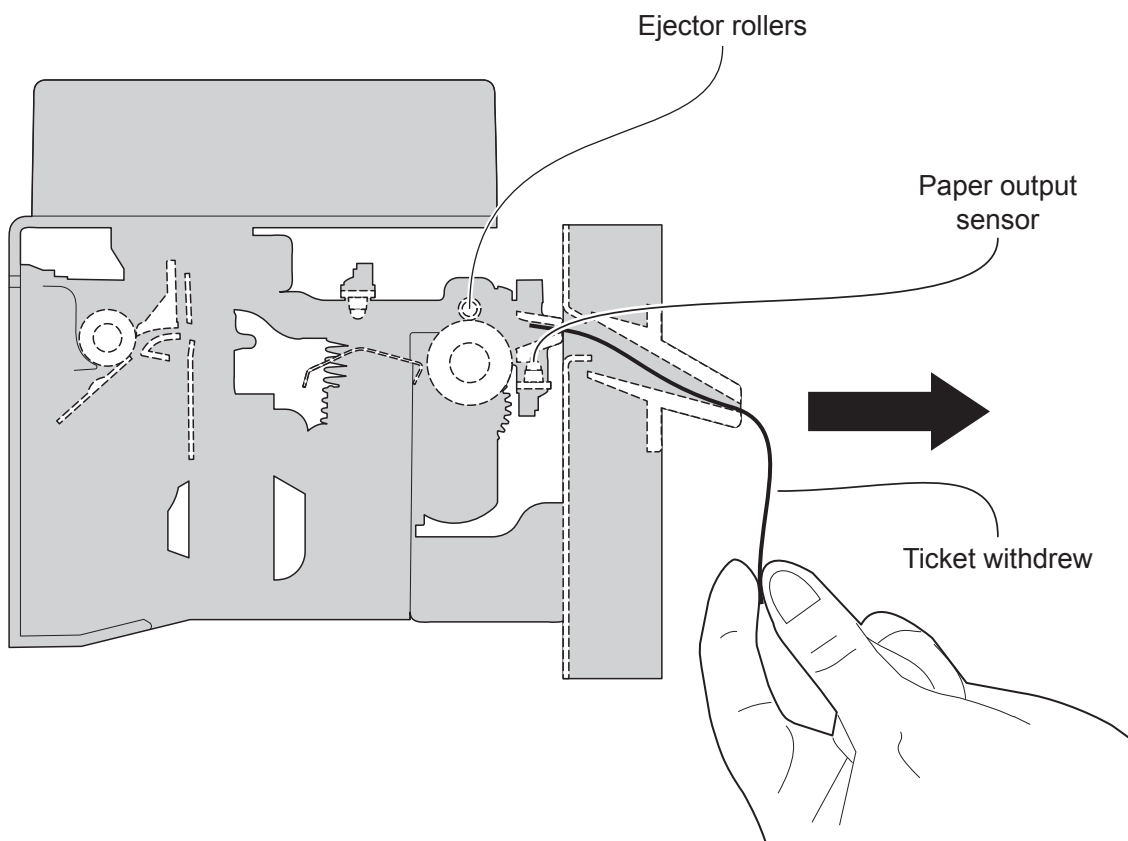
When printing ends, the device cuts the printed ticket.

4



The device presents the ticket on the paper mouth.

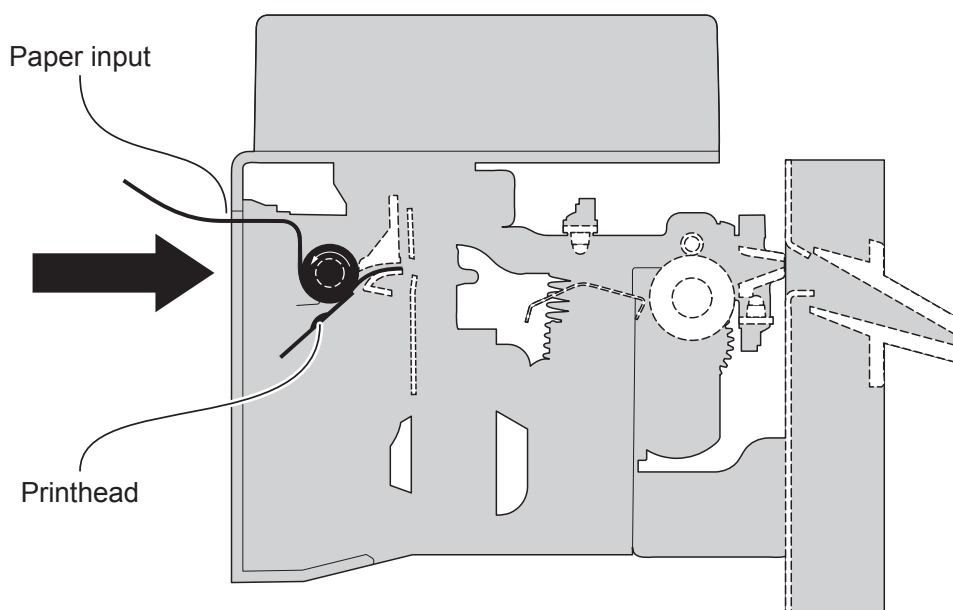
5



The user withdraws the ticket from the paper mouth.

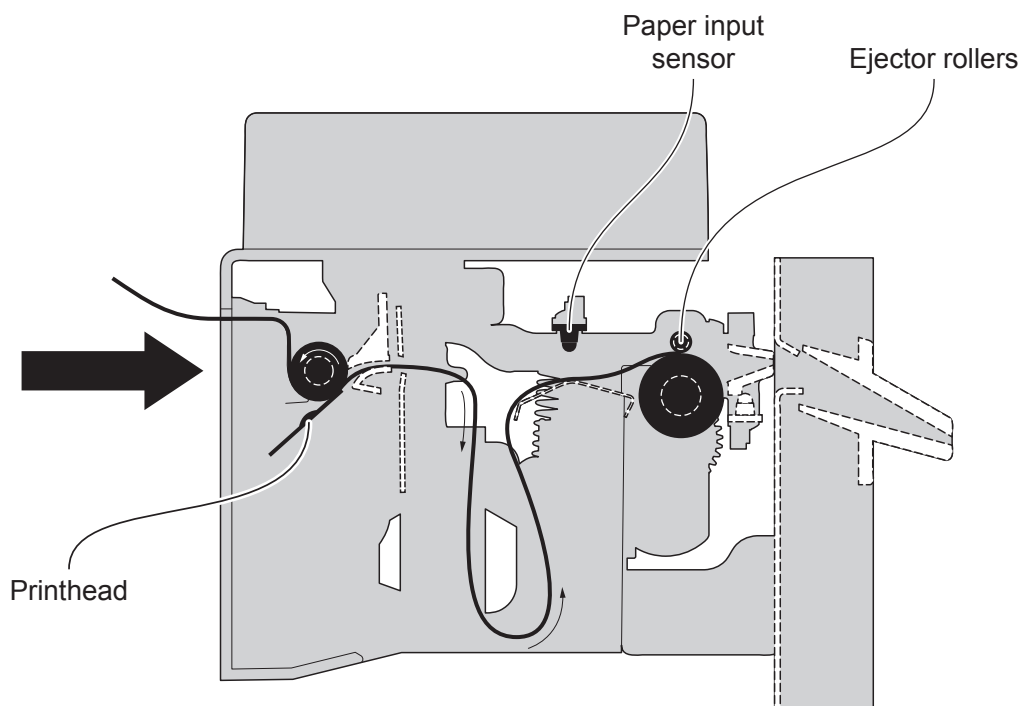
“EJECT CONTINUOUS PRINTING” mode

1



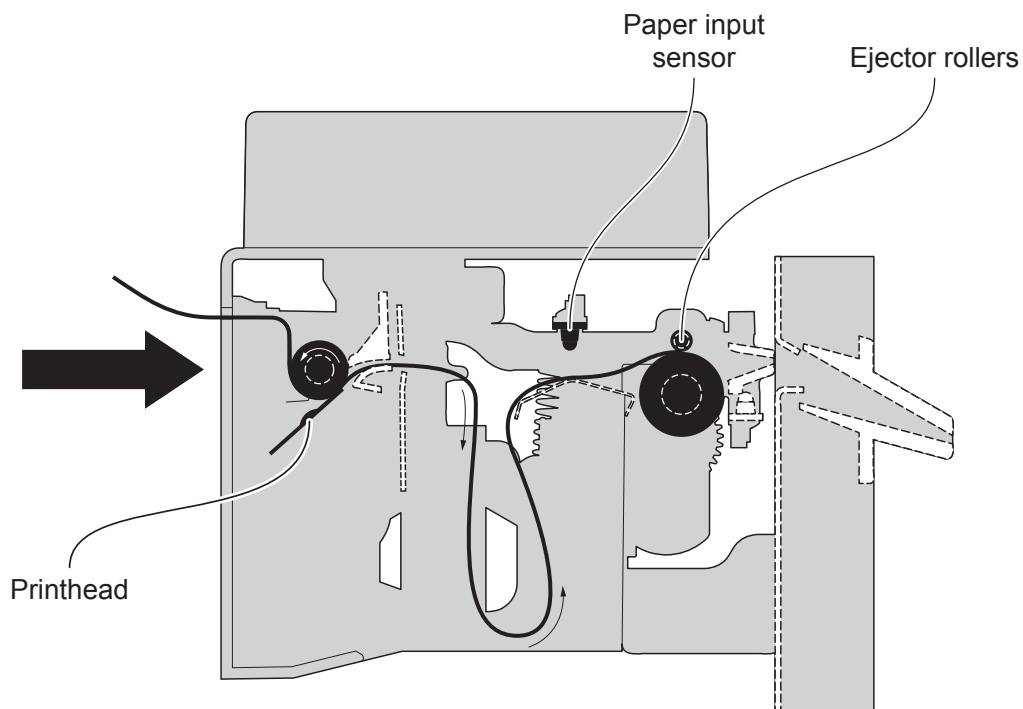
The device starts the ticket printing.

2



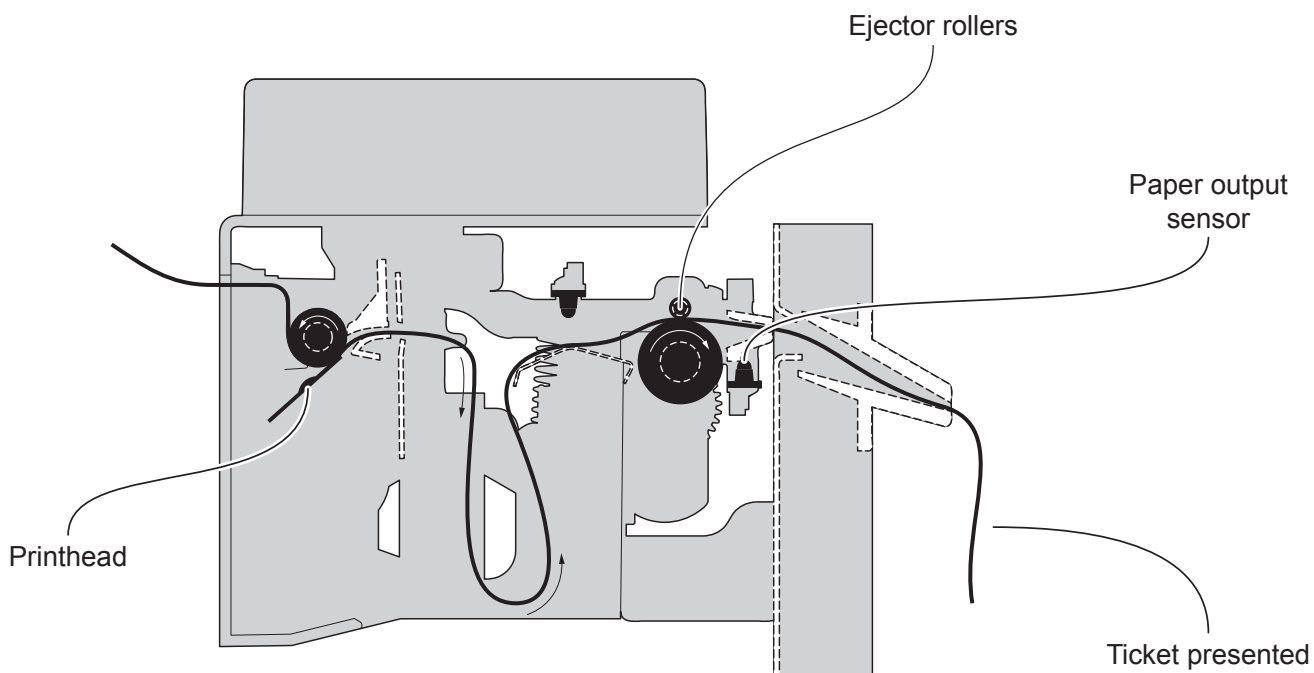
The ticket advances ahead to engage the paper input sensor and is caught between the ejector rollers. The printed portion of ticket is collected in the space between autocutter and ejector while the device continues printing.

3



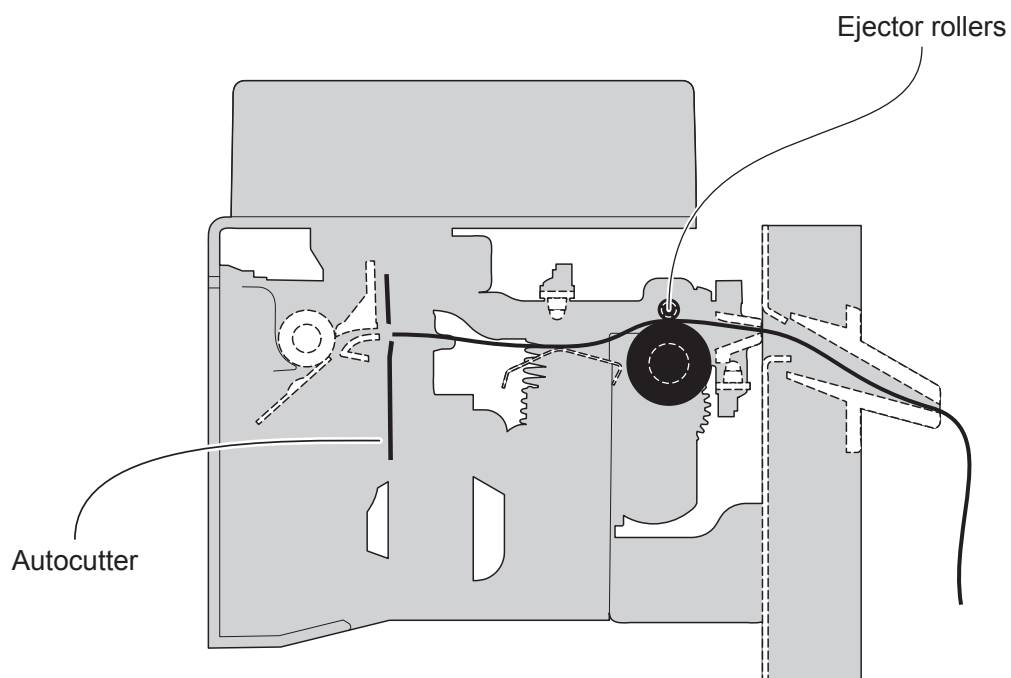
If the printed portion of ticket exceeds length of 50 cm, the device enters in continuous printing mode.

4



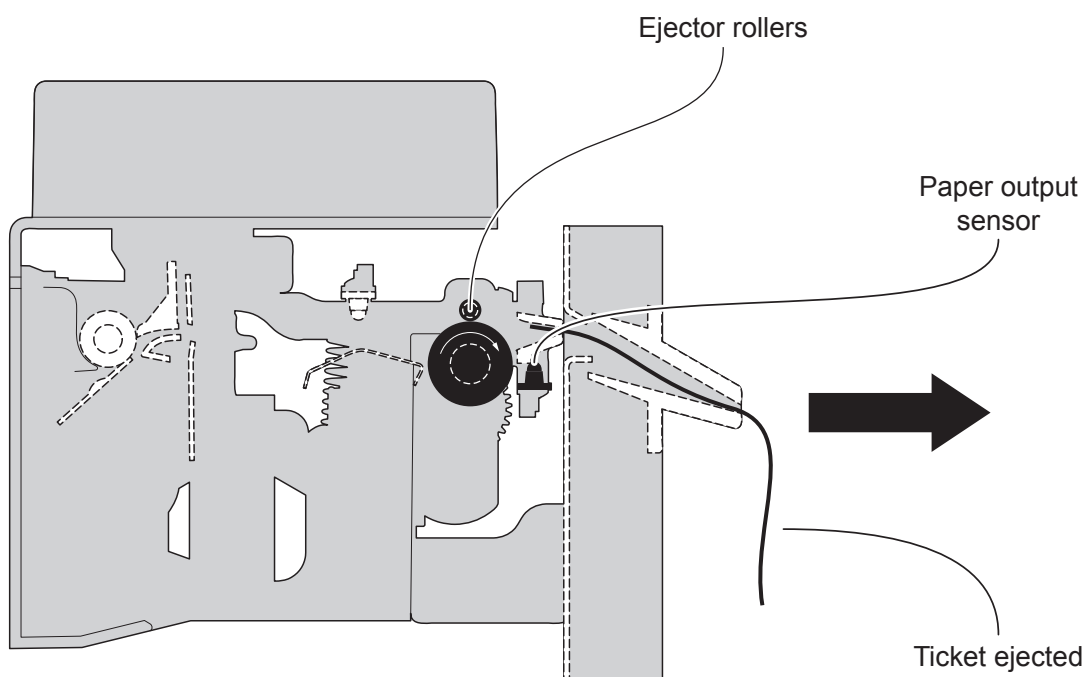
The device presents the ticket on the paper mouth while it continues printing.

5



When printing ends, the device cuts the printed ticket.

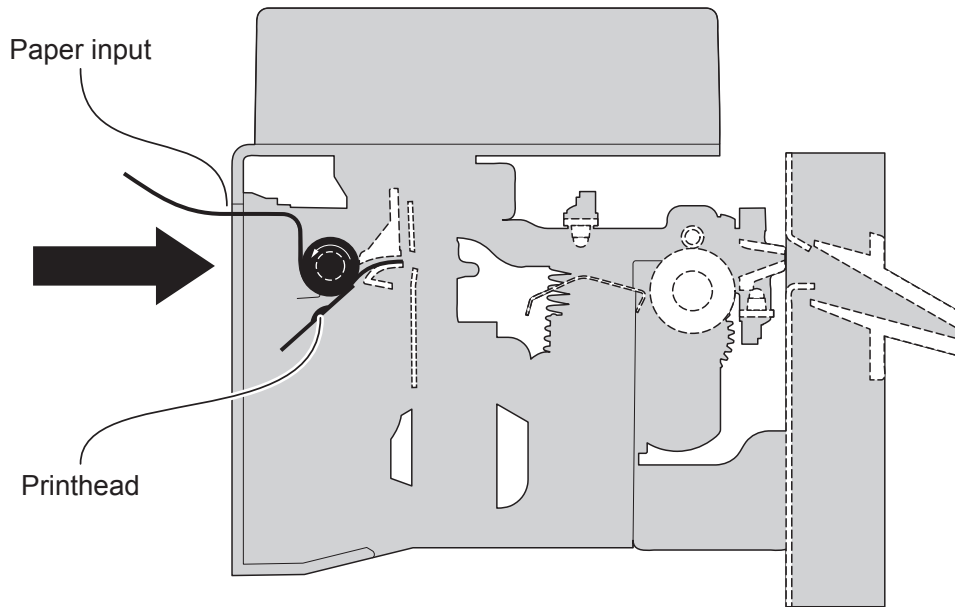
6



The device directly ejects the ticket.

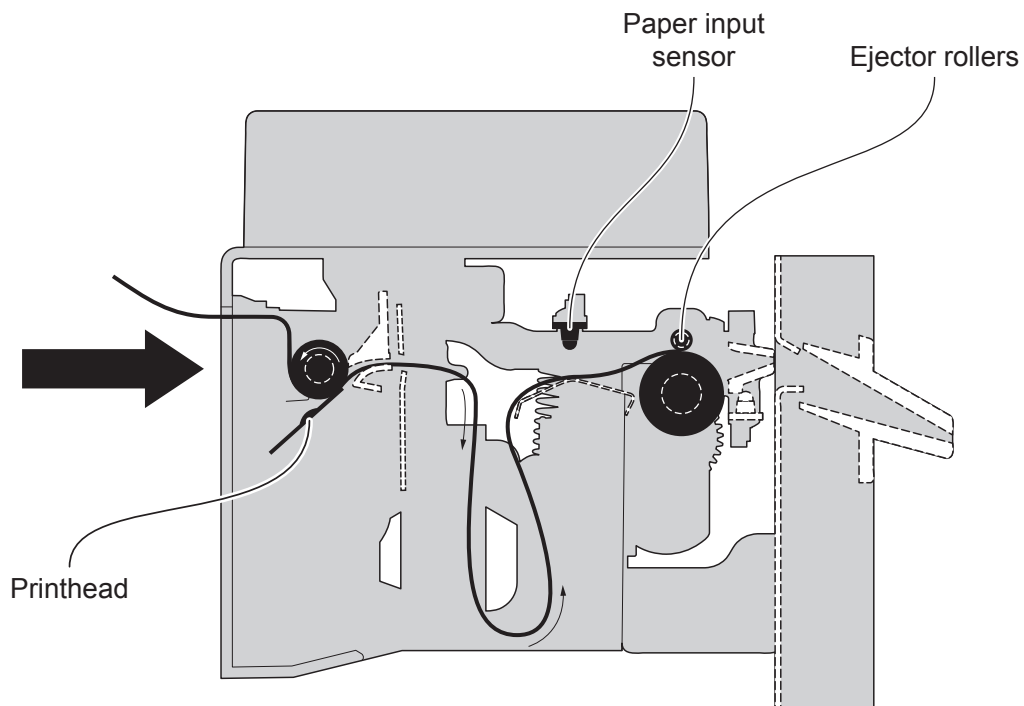
“PRESENT-EJECT CONTINUOUS PRINTING” mode

1



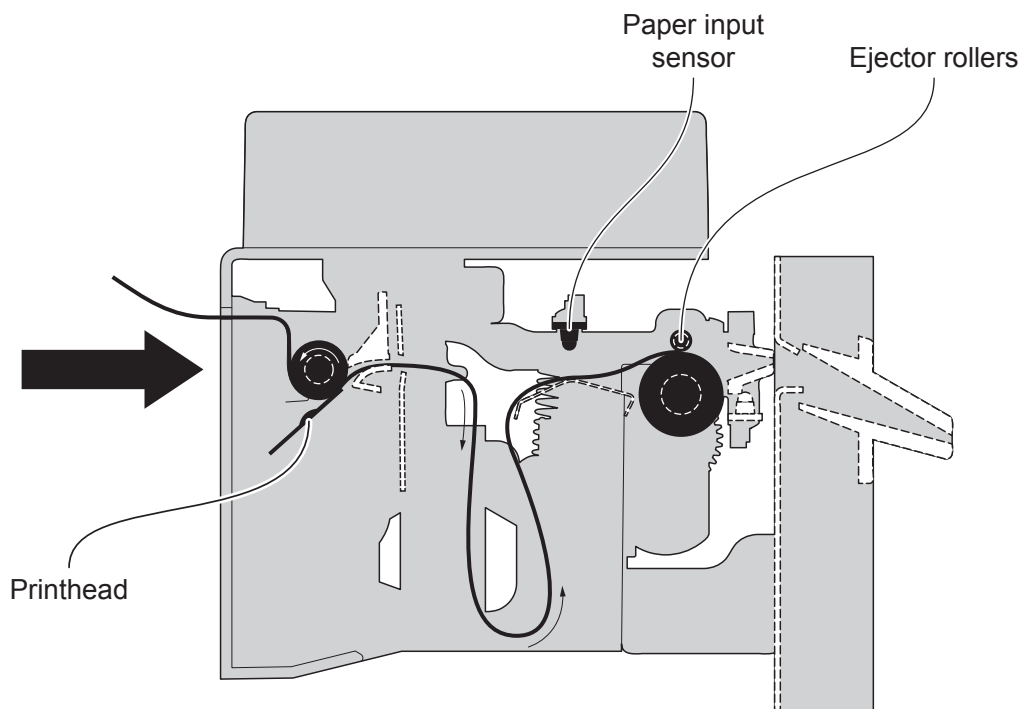
The device starts the ticket printing.

2



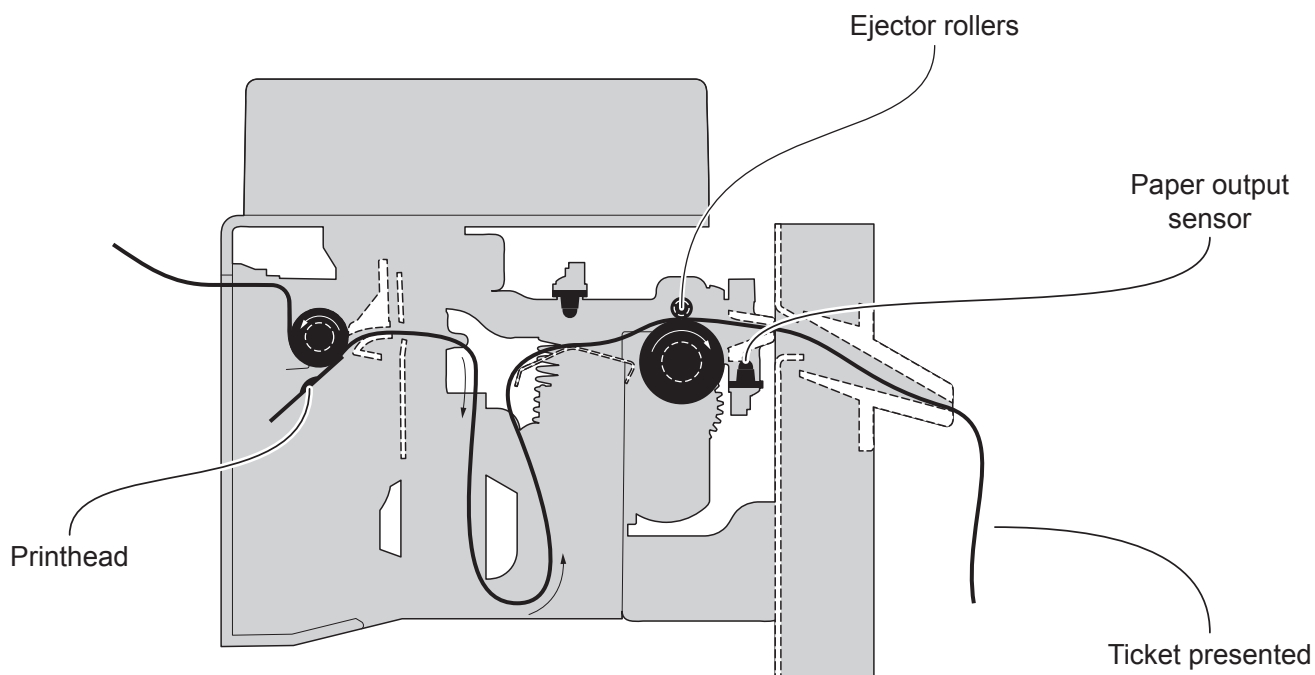
The ticket advances ahead to engage the paper input sensor and is caught between the ejector rollers. The printed portion of ticket is collected in the space between autocutter and ejector while the device continues printing.

3



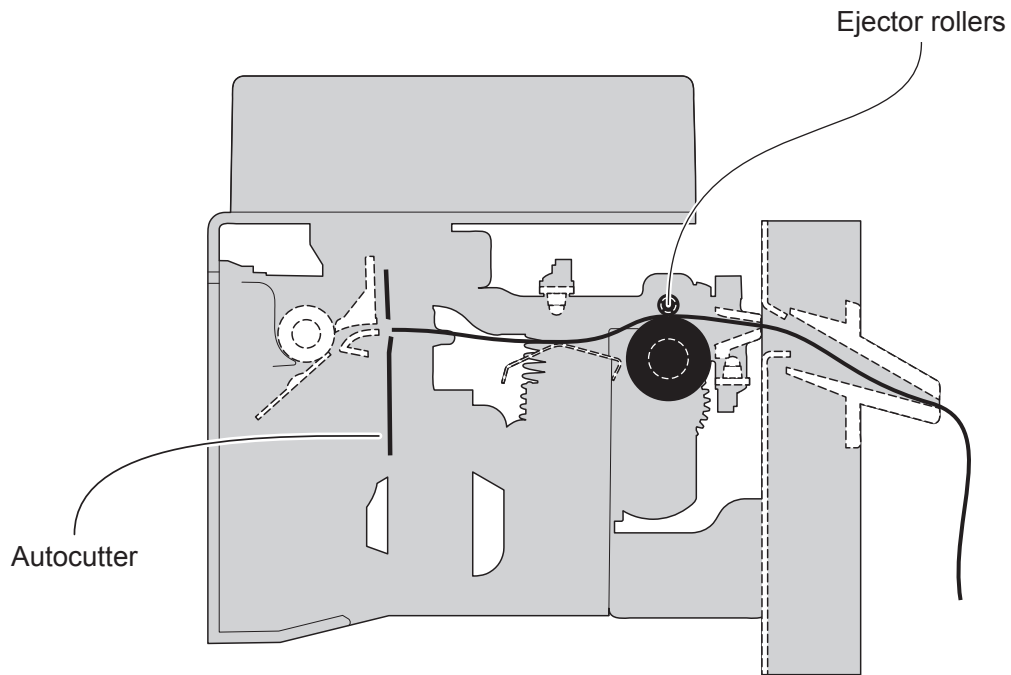
If the printed portion of ticket exceeds length of 50 cm, the device enters in continuous printing mode.

4



The device presents the ticket on the paper mouth while it continues printing.

5



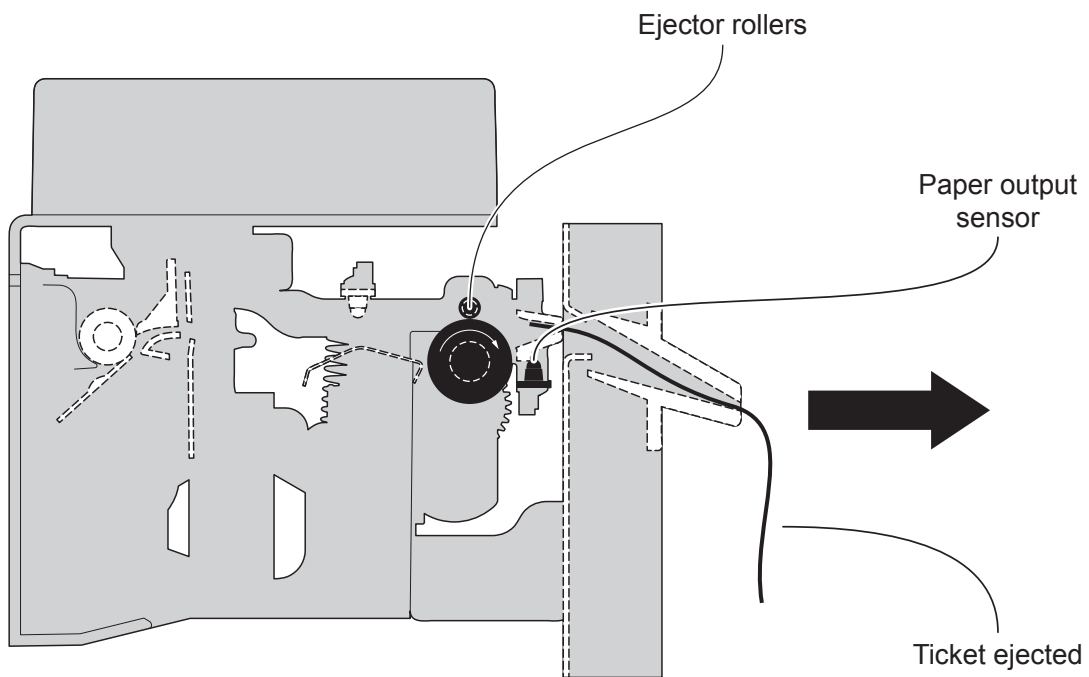
When printing ends, the device cuts the printed ticket.

6



The ticket is waiting on the paper mouth for a preset period of time.

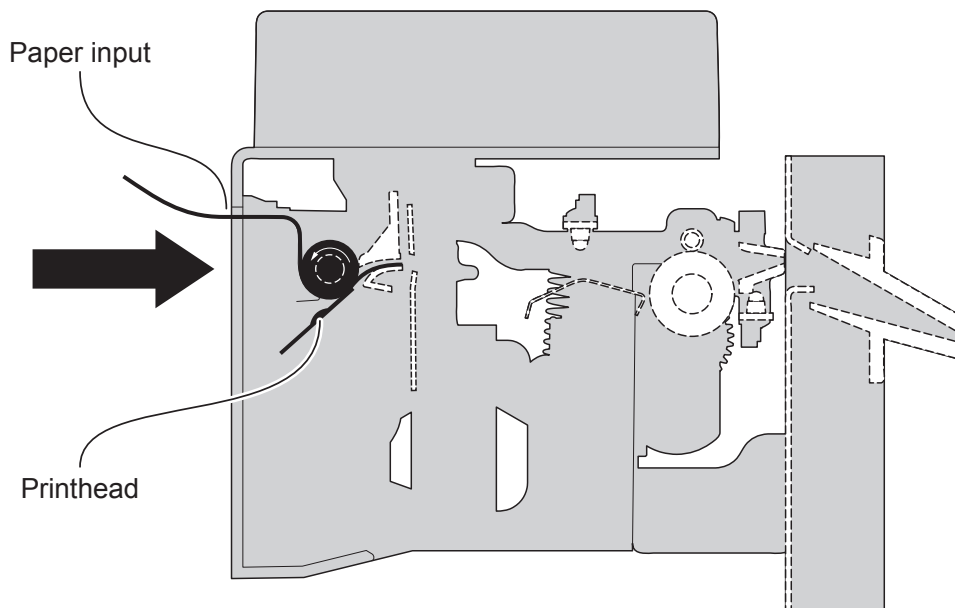
7



The device directly ejects the ticket.

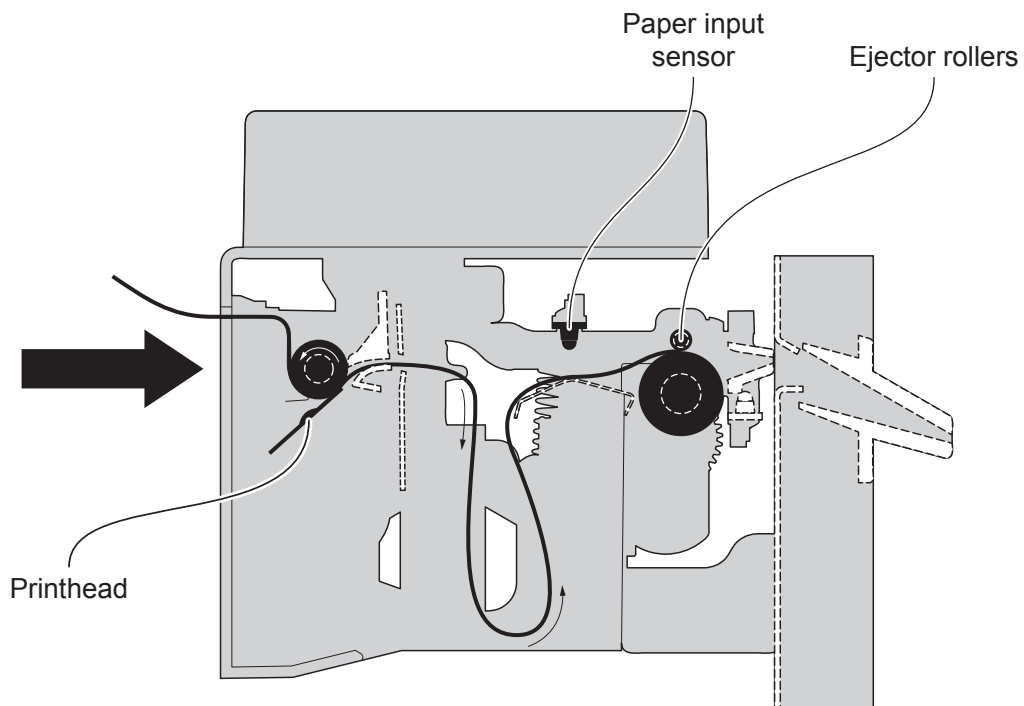
“PRESENT CONTINUOUS PRINTING” mode

1



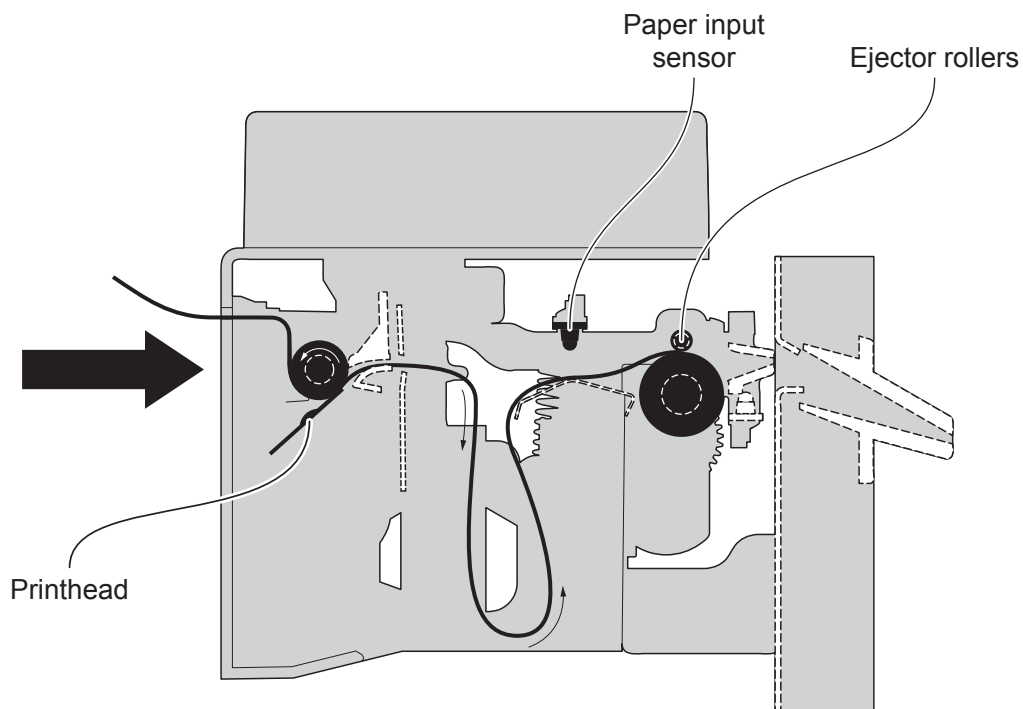
The device starts the ticket printing.

2



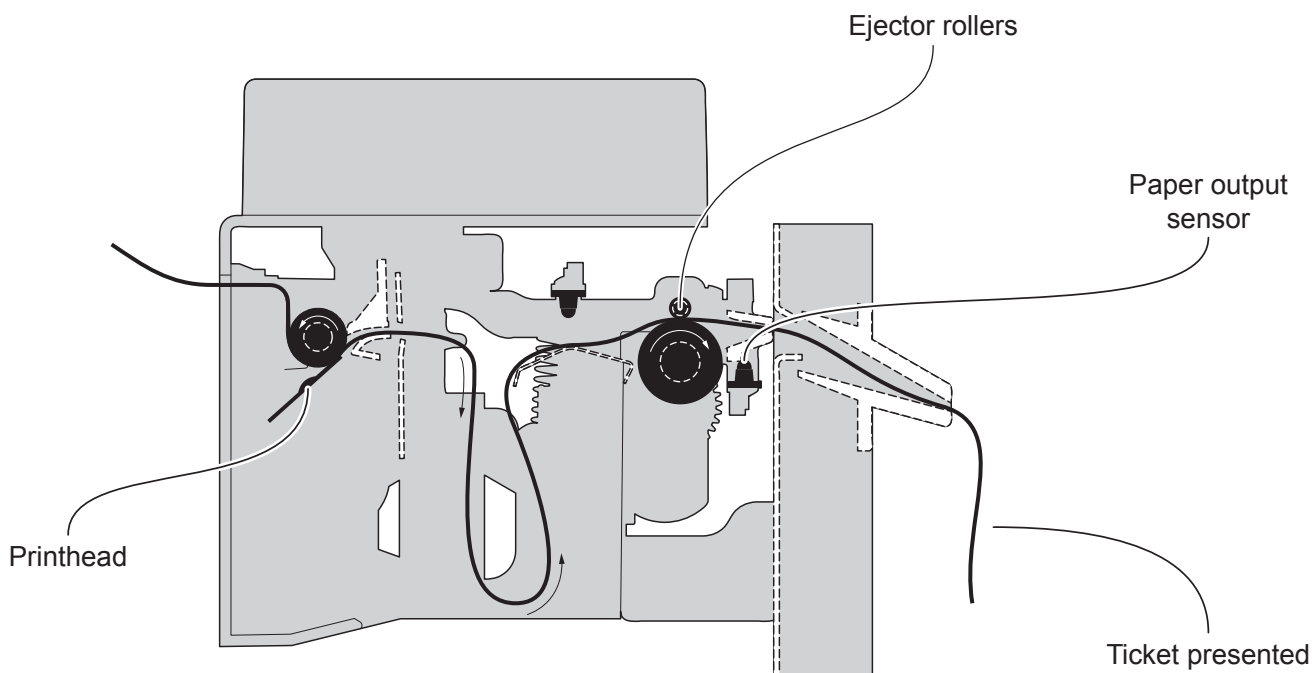
The ticket advances ahead to engage the paper input sensor and is caught between the ejector rollers. The printed portion of ticket is collected in the space between autocutter and ejector while the device continues printing.

3



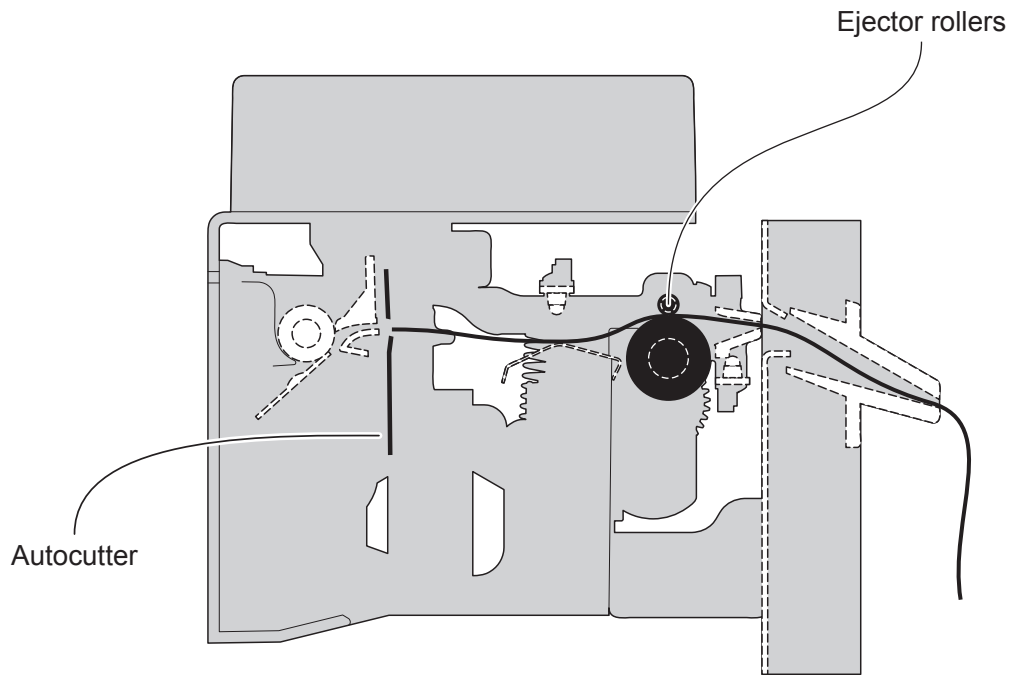
If the printed portion of ticket exceeds length of 50 cm, the device enters in continuous printing mode.

4



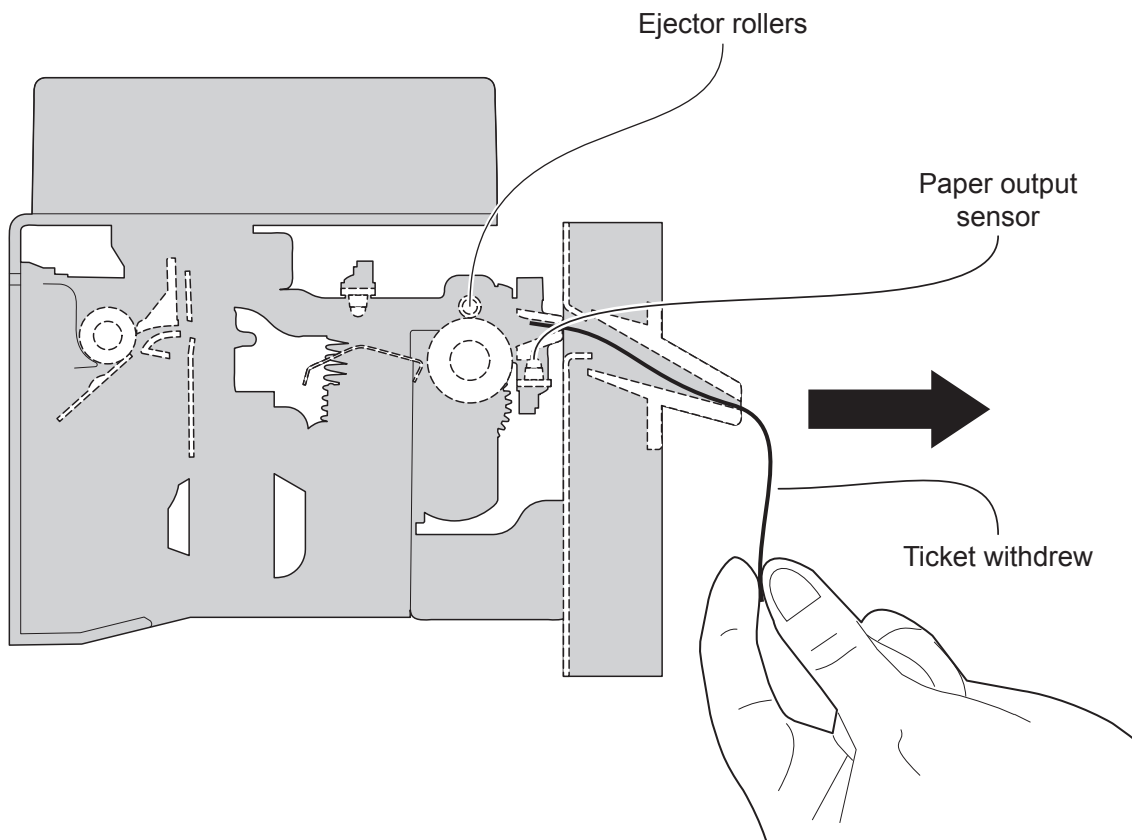
The device presents the ticket on the paper mouth while it continues printing.

5



When printing ends, the device cuts the printed ticket.

6



The user withdraws the ticket from the paper mouth.

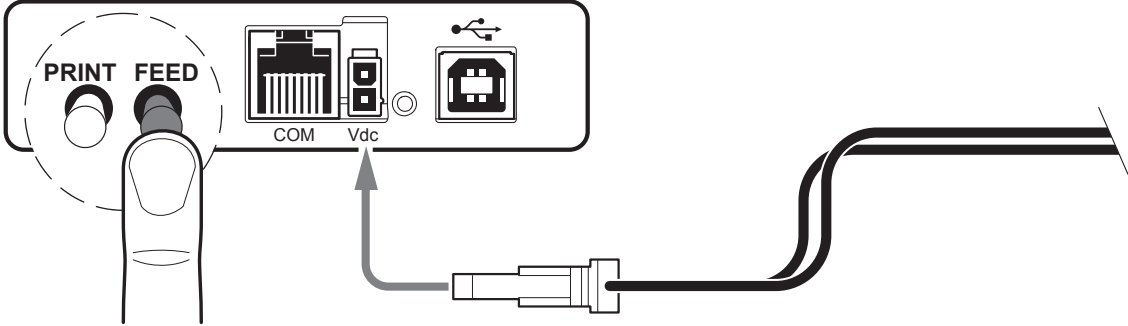


6 CONFIGURATION

6.1 Configuration by keys

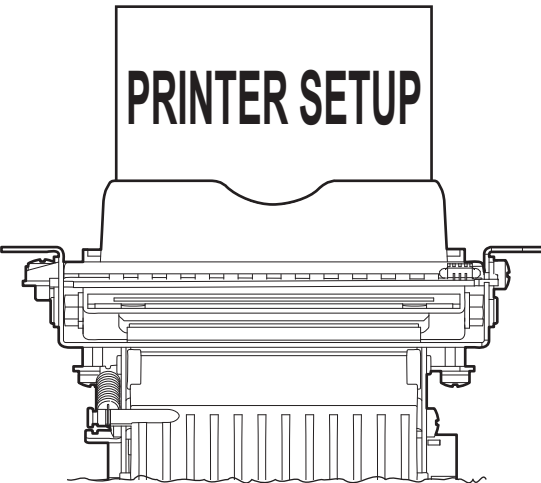
To enter the configuration mode and print a setup report with the operating parameters of the device, proceed as follows.

1



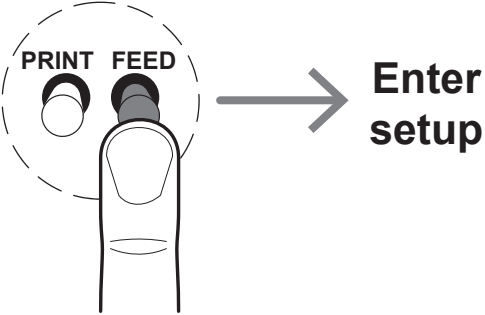
While pressing the FEED key, switch on the device by inserting the power supply cable.

2



The device prints the report with parameters for settings.

3



Hold down the FEED key to enter the configuration mode (see [paragraph 3.5](#)).



The following figure shows the setup report of the device. The shown values for parameters are sample values; for the list and the description of device parameters see the following paragraphs.

DEVICE NAME AND
FIRMWARE MODULES
RELEASE

```

                < device name >
SCORE: <code>           - rel 1.00
FCODE: <code>           - rel 1.00
LCODE: <code>           - rel 1.00
  
```

DEVICE
STATUS

PRINTER SETTINGS

```

PRINTER TYPE .....<device model>
INTERFACE .....RS232
PROGRAM MEMORY TEST.....OK
DYNAMIC RAM TEST.....OK
CUTTER TEST.....OK
HEAD VOLTAGE           [V] = 23.37
HEAD TEMPERATURE      [°C] = 25
POWER ON COUNTER      = 72
PAPER PRINTED         [cm] = 6220
CUT COUNTER           = 2218
LED bar FGND (RRGGBB) = 00FF00
LED bar BGND (RRGGBB) = 8F00FF
  
```

PARAMETERS
FOR DEVICE
CONFIGURATION

```

Printer Emulation ..... : TGH
RS232 Baud Rate ..... : 115200 bps
RS232 Data Length ..... : 8 bits/chr
RS232 Parity ..... : None
RS232 Handshaking ..... : Hardware
Busy Condition ..... : RxFull
Print Mode ..... : Normal
Autofeed ..... : CR Disabled
Code Table [num] ..... : 0
Chars / inch ..... : A=20 B=25 cpi
Font Type..... : International
Speed / Quality..... : Normal
Print Width ..... : 56 mm
Paper Threshold ..... : 40%
Black Mark Position ..... : Disabled
Black Mark Threshold..... : 30%
Black Mark Distance [mm]..... : +00.0
PaperEnd Buffer Clear ..... : Disabled
USB Address Number ..... : 0
USB Class ..... : Printer
Low Energy Mode ..... : Disabled
Cutter..... : Enabled
Print Density..... : 0%
  
```

KEYS FUNCTIONS

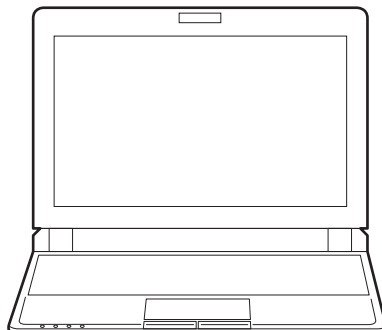
```

[ FEED]      enter Printer setup
[ PRINT ]    skip Setup
  
```

6.2 Configuration by software

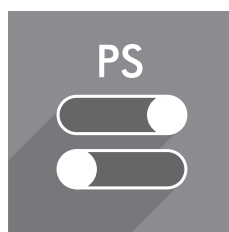
The setup parameters can be set by using the “PrinterSet” software tool available on www.custom4u.it. For a detailed description of the device operating parameters see the following paragraphs. To configure the device by software, proceed as follows.

1



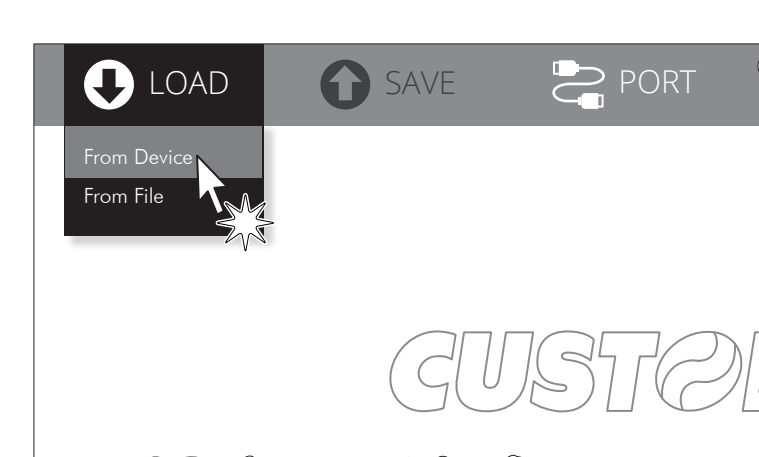
Connect the device to a PC directly (see [paragraph 4.3](#)), without using HUB devices.

2



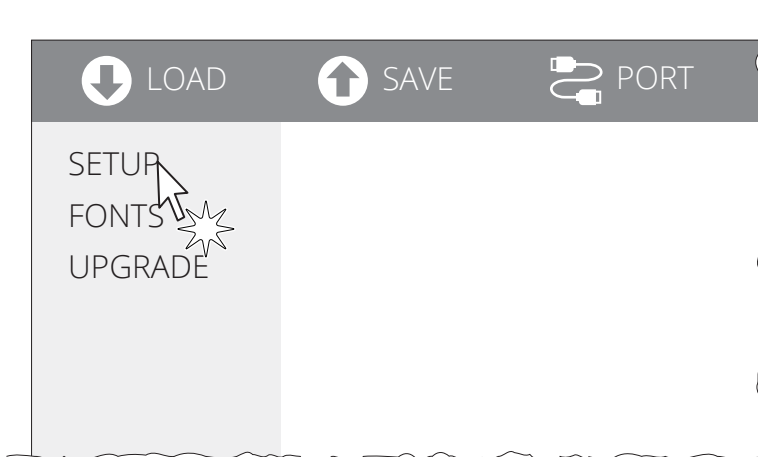
Start “PrinterSet” software tool.

3



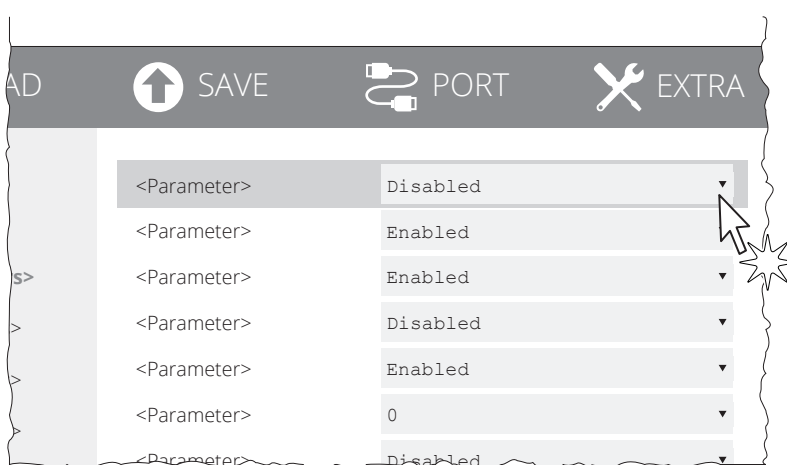
Click on LOAD > FROM DEVICE and select the device connected to the PC.

4



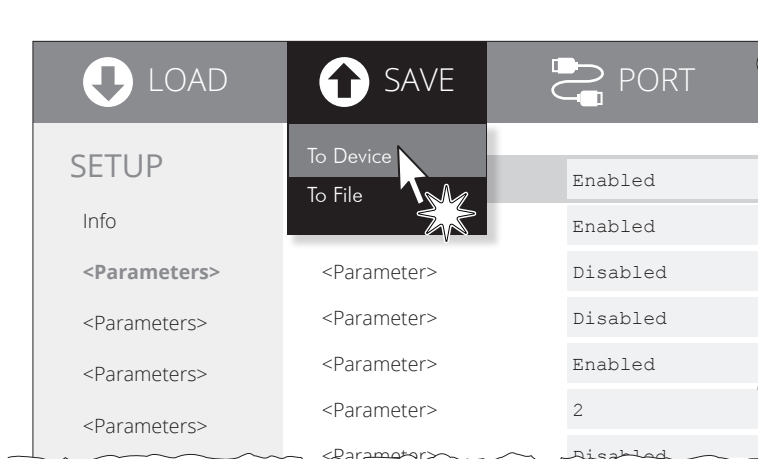
Click on SETUP to access the operating parameters of the device to be configured.

5



Make the desired changes to the device operating parameters.

6



Click on SAVE > TO DEVICE to make the changes made effective.

ATTENTION:

During saving, it is strongly discouraged to disconnect the communication cable or to remove the power supply of the PC or the device.



6.3 Device status

The device operating status is indicated in the configuration print-out in which, next to the name of the components displayed, the following information is given:

PRINTER TYPE	device model
INTERFACE	interface present
PROGRAM MEMORY TEST	OK appears if functioning and NOT OK if faulty
DYNAMIC RAM TEST	OK appears if functioning and NOT OK if faulty
CUTTER TEST	OK appears if functioning and NOT OK if faulty
HEAD VOLTAGE	voltage of the head
HEAD TEMPERATURE	temperature of the head
POWER ON COUNTER	number of power-ups made
PAPER PRINTED	centimetres of paper printed
CUT COUNTER	number of cuts made
LED bar FGND (RRGGBB)	foreground colour set for the status LED on the bezel
LED bar BGND (RRGGBB)	background colour set for the status LED on the bezel



6.4 Communication parameters

The device allows the configuration of the parameters listed in the following table. The parameters marked with the symbol [ⓓ] are the default values. Settings remain active even after the device has been turned off and they are stored in non-volatile memory.

RS232 BAUD RATE	Communication speed of the serial interface: 9600 57600 19200 115200 [ⓓ] 38400 This parameter is valid only with serial interface.
RS232 DATA LENGTH	Number of bit used for characters encoding: 7 bits/car 8 bits/car [ⓓ] This parameter is valid only with serial interface.
RS232 PARITY	Bit for the parity control of the serial interface: None [ⓓ] = parity bit omitted Even = even value for parity bit Odd = odd value for parity bit This parameter is valid only with serial interface.
RS232 HANDSHAKING	Handshaking: XON/XOFF = software handshaking Hardware [ⓓ] = hardware handshaking (CTS/RTS) This parameter is valid only with serial interface. <div style="background-color: #f0f0f0; padding: 5px;">NOTE: When the receive buffer is full, if handshaking is set to XON/XOFF, the device sends the XOFF (0x13) on the serial port. When the receive buffer has cleared once again, if handshaking is set to XON/XOFF, the device sends the XON (0x11) on the serial port.</div>
BUSY CONDITION	Activation mode for Busy signal: OffLine/ RXFull = Busy signal is activated when the device is both in OffLine status and the buffer is full RXFull [ⓓ] = Busy signal is activated when the buffer is full This parameter is valid only with serial interface.
USB ADDRESS NUMBER	Numerical address code for the univocal identification of the USB device (in case of more than a USB device connected with the same PC): 0 [ⓓ] 2 4 6 8 1 3 5 7 9



USB CLASS

USB communication class definition.

Printer ^D = setting the printer functionVirtual COM = setting the USB port as a virtual serial port



6.5 Operating parameters

The device allows the configuration of the parameters listed in the following table.

The parameters marked with the symbol [Ⓓ] are the default values.

Settings remain active even after the device has been turned off and they are stored in non-volatile memory.

PRINTER EMULATION	Available emulations for the device: TGH [Ⓓ] CUSTOM/POS
PRINT MODE	Printing mode: Normal [Ⓓ] = enables printing in normal writing way Reverse = enables printing rotated 180 degrees
AUTOFEED	Setting of the Carriage Return character: CR disabled [Ⓓ] = Carriage Return disabled CR enabled = Carriage Return enabled
CHARS / INCH	Font selection: A = 11 cpi, B = 15 cpi A = 15 cpi, B = 20 cpi A = 20 cpi, B = 25 cpi [Ⓓ] NOTE: CPI = Characters Per Inch.
FONT TYPE	Setting of the font type: International [Ⓓ] = Enables the use of the 256 characters font tables Chinese GB18030 = Enables the use of the chinese extended font GB18030-2000 Korean CP949 = Enables the use of the korean font CP949 When the “International” font is enabled, you need to choose the character code table (parameter “Code Table”). When the Chinese font is enabled, the selection of the character code table is suspended (parameter “Code Table”).
CODE TABLE	Identifier number of the character code table to use. See paragraph 9.7 to learn about the character tables corresponding to the identification numbers set with this parameter. The character tables set with this parameter are the same set with the command 0x1B 0x74 (refer to the commands manual of the device).
SPEED / QUALITY	Setting of printing speed and printing quality: Normal [Ⓓ] High Speed



PRINT WIDTH	Width of printing area: 52 mm 56 mm ^D
--------------------	--

PAPER THRESHOLD	Threshold value (in percent) for the recognition of the presence of paper by the paper presence sensor: 30% 70% 40% ^D 80% 50% 90% 60%
------------------------	--

PAPEREND BUFFER CLEAR	Cleaning mode of the data in receive buffer, if the printing is stopped due to lack of paper: Disabled ^D = the data remain in the receive buffer. When the paper runs out, the device keeps the remaining data in the receive buffer and prints the remaining portion of the ticket after that the new paper is loaded. Enabled = when the paper runs out, all data in the receive buffer are deleted.
------------------------------	---

LOW ENERGY MODE	Setting the inactivity period in seconds after which the device enters in sleep mode: Disabled ^D 15 s 30 s 60 s
------------------------	--

LED bar FGND (RRGGBB)	Set the foreground color for the status LED on the bezel. This parameter consists in three value for red, green and blue color to be expressed in hexadecimal: RR = from 00 ^D to FF GG = from 00 to FF ^D BB = from 00 ^D to FF
------------------------------	---

LED bar BGND (RRGGBB)	Set the background color for the status LED on the bezel. This parameter consists in three value for red, green and blue color to be expressed in hexadecimal: RR = from 00 to FF (8F ^D) GG = from 00 ^D to FF BB = from 00 to FF ^D
------------------------------	---

CUTTER	Set the autocutter management: Disabled = Autocutter disabled Enabled ^D = Autocutter enabled This parameter is valid only for TG1260HIII CUT, TG1260HIII BP, TG1260HIII CUT BP, TG1260HIII CHROMED, TG2460HIII TRANSP, TG2460HIII CHROMED and TG2460HIII CUT.
---------------	---



PRINT DENSITY

Adjusting the printing density:

-25% 0^D +25%
-12% +12%

NOTE:

The print quality is strongly influenced by the type of chemical treatment and the type of storage to which the thermal paper has been subjected, as well as by the weight of the same. It may therefore necessary to act on this parameter to obtain the desired print quality.



6.6 Alignment parameters

This printer allows the configuration of the parameters listed in the following table.

The parameters marked with the symbol ^D are the default values.

Settings remain active even after the printer has been turned off and they are stored in non-volatile memory.

BLACK MARK POSITION	Management of the paper alignment:				
	Disabled ^D = the black mark alignment is not performed				
	Enabled = the black mark alignment is performed				
BLACK MARK THRESHOLD	Threshold value (in percent) for the recognition of the presence of black mark by the black mark sensor:				
	30% ^D	70%			
	40%	80%			
	50%	90%			
	60%				
BLACK MARK DISTANCE	<p>“Black Mark Distance” is the minimum distance (in millimetres) between the upper edge of ticket and the black mark (see chapter 7).</p> <p>The numeric value of the distance is made up with the following four parameters for the setting of three digits (two for the integer part of the number and one for the decimal part) and of the sign:</p>				
	Sign setting:				
BLACK MARK DISTANCE SIGN	+ ^D = positive distance				
	- = negative distance				
	Setting the digit for tens:				
BLACK MARK DISTANCE [mm x 10]	0 ^D	2	4	6	8
	1	3	5	7	9
	Setting the digit for units:				
BLACK MARK DISTANCE [mm x 1]	0 ^D	2	4	6	8
	1	3	5	7	9
	Setting the digit for decimals:				
BLACK MARK DISTANCE [mm x 0.1]	0 ^D	2	4	6	8
	1	3	5	7	9
	<p>NOTE:</p> <p>For example, to set the black mark distance to 15 mm, modify the parameters as follows:</p> <p>Black Mark Distance Sign = +</p> <p>Black Mark Distance [mm x 10] = 1</p> <p>Black Mark Distance [mm x 1] = 5</p> <p>Black Mark Distance [mm x .1] = 0</p>				



6.7 Hexadecimal dump

This function is used for the diagnosis of the characters received from the communications port. Characters are printed as hexadecimal code and the corresponding ASCII code (see below). Each line is preceded by a counter in hexadecimal that indicates the number of bytes received.

During the startup, if you hold down the FEED key, the printer enters the self-test routine and print the setup report. The printer remains in standby until a key is pressed or characters are received through the communication port (Hexadecimal Dump mode). For each character sent, the ticket shows the hexadecimal value and the ASCII codes (if the characters are underlined, the receive buffer is full). Shown below is an example of a Hexadecimal Dump:

HEXADECIMAL DUMP									
31	32	33	34	35	...	12345	...		
39	30	31	32	33	...	90123	...		
37	38	39	75	69	...	789ui	...		
68	6B	6A	73	64	...	hkjsd	...		
73	64	66	6B	6A	...	sdfkj	...		
66	73	64	66	6B	...	fsdfk	...		
65	69	6F	79	75	...	eioyu	...		
6F	72	69	75	77	...	oriuw	...		
6F	75	77	65	72	...	ouwer	...		
77	65	72	69	6F	...	werio	...		
72	69	6F	75	77	...	riouw	...		
6B	6C	73	64	66	...	kl sdf	...		
64	66	6B	73	64	...	dfksd	...		
73	64	66	6B	6A	...	sdfkj	...		
66	6B	F2	6A	73	...	fk>j	...		
6A	6B	6C	68			jklh			



7 ALIGNMENT

The device is provided with a sensor for the use of alignment black mark in order to handle rolls of tickets with pre-printed fields and a fixed length.

The alignment sensor is a “reflection” sensor: this kind of sensor emits a band of light and detects the quantity of light reflected to it. The presence of the black mark is therefore detected by the amount of light that returns to the sensor, considering that the light is reflected by the white paper and absorbed by the black mark.

To ensure the correct alignment, you must enable the “Black Mark Position” parameter during the setup procedure (see [paragraph 6.6](#)).

The following paragraphs show how to correctly set the configuration parameters of device in order to assure the alignment.

7.1 Calibration

The sensor calibration occurs automatically and consists in adjusting the quantity of light emitted to match the degree of whiteness of the paper used and the degree of black of the mark printed on paper.

The device automatically performs the self-calibration during the Setup procedure only if the “Black Mark Position” parameter is set to a value other than “Disabled” (see [paragraph 6.6](#)).

When self-calibration starts, the device performs some paper feeds and then it prints the calibration result and the value of the PWM duty-cycle of the alignment sensor driver so that it can be perform an optimal black mark detection:

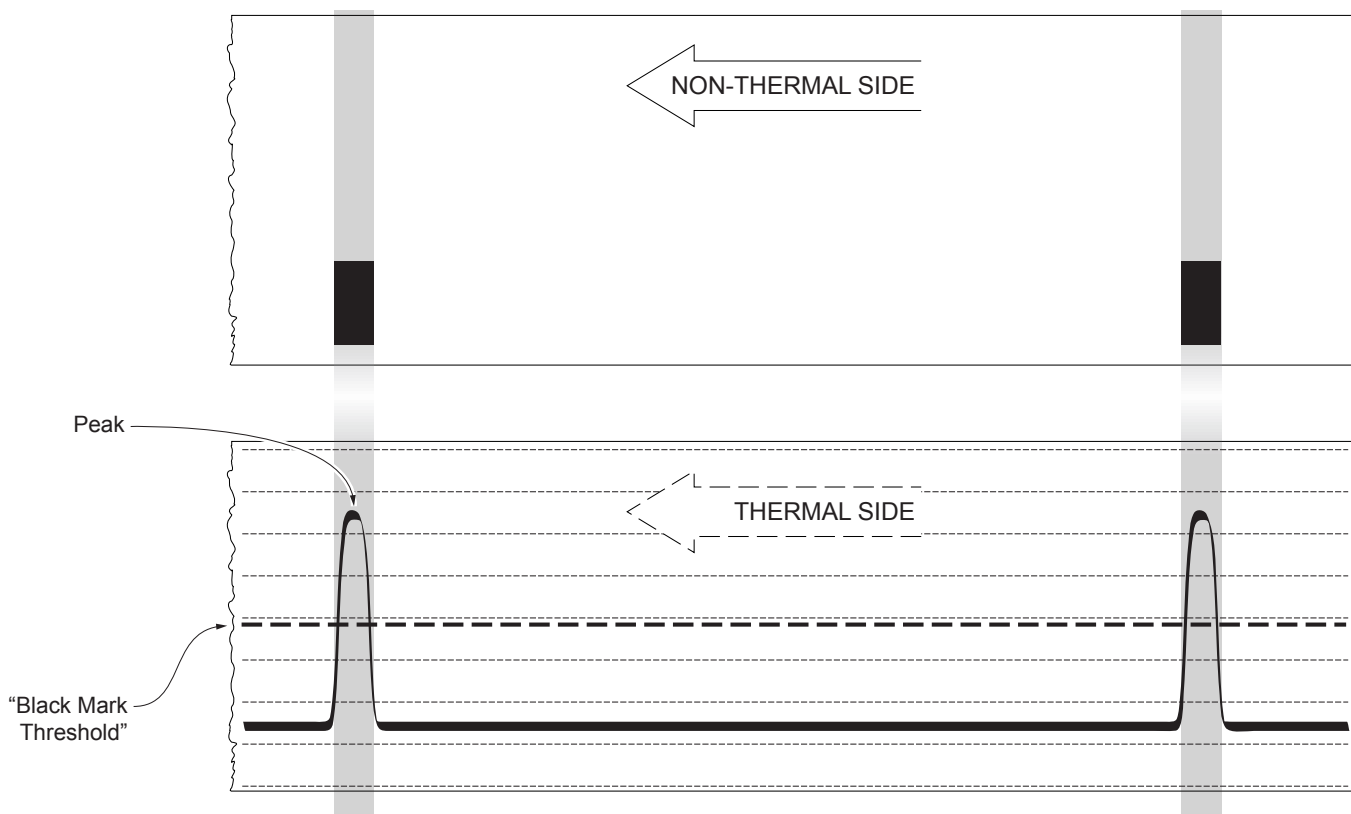
Autosetting Black Mark: OK
 PWM Duty Cycle: 85.3%

The “Autosetting Black Mark” parameter indicates the result of the self-calibration procedure; OK will appear if it has been successful, NOT OK will appear if the procedure has failed.

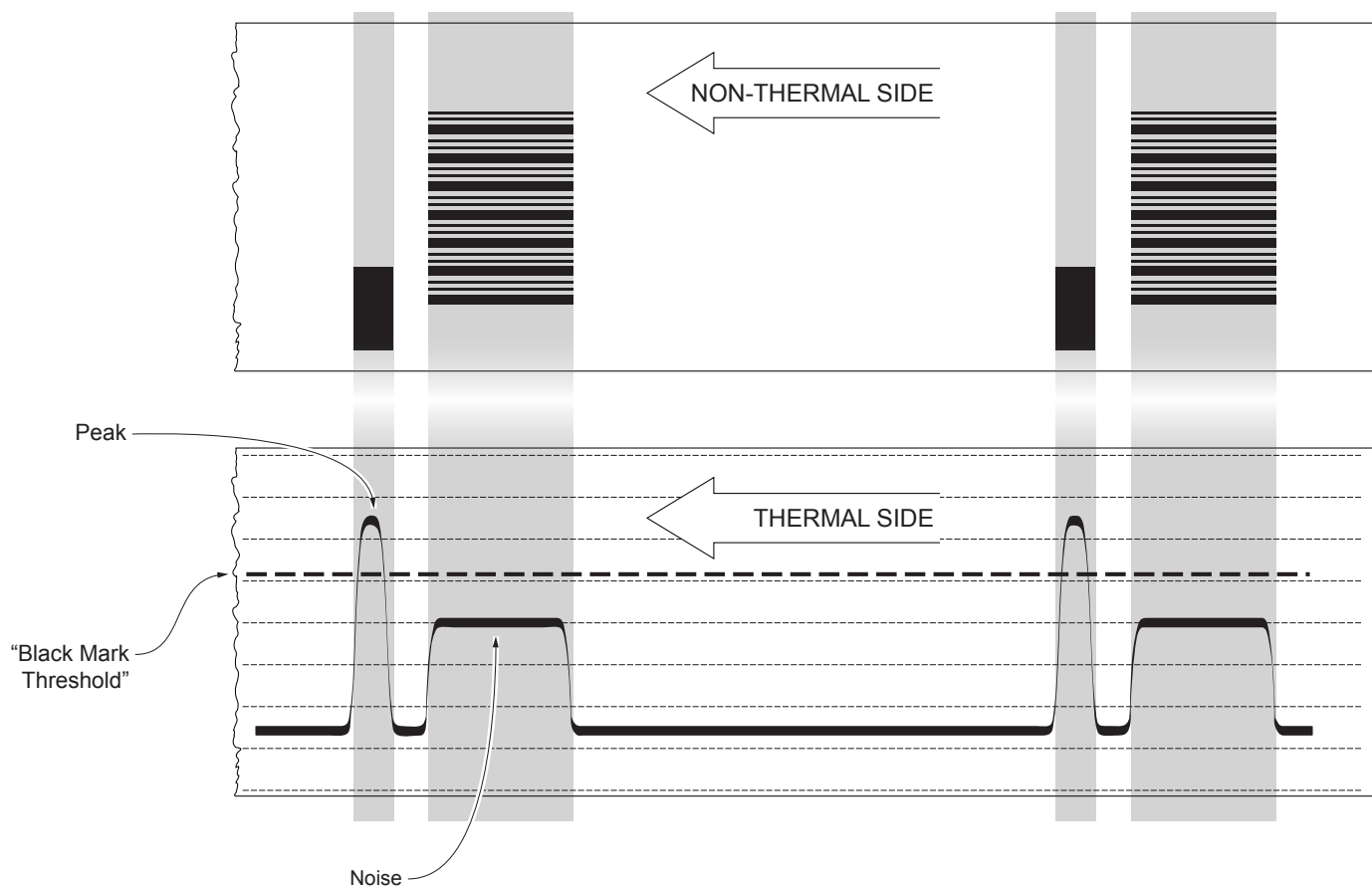
After the printing of the procedure result, the device offers the execution of the function of paper characterization “Characterize Paper” and the change of the “Black Mark Threshold” parameter which represents the detection threshold of the black mark.

Choosing the “Yes” value for the “Characterize Paper” parameter, the device prints a graphic representation (see following figures) of the outgoing voltage of the alignment sensor (expressed as a percentage) and the “Black Mark Threshold” value. This graphic representation is useful to set the most suitable value to assign to the “Black Mark Threshold” parameter and then to better identify the optimal threshold value which takes into account the variations of the signal and the small oscillations around zero.

The following figure shows an example of paper with the non-thermal paper printed with black marks: the outgoing voltage is constant while passing the white paper between two black marks and presents a peak at each black mark. In this case, the optimal value for the “Black Mark Threshold” parameter is placed about half of the peak.



The following figure shows an example of paper with the non-thermal paper printed with black marks and other graphics (for example, a barcode): the outgoing voltage is constant while passing the white paper between two black marks, presents a peak at each black mark and presents some “noise” at each barcode. In this case, the optimal value for the “Black Mark Threshold” parameter is located about halfway between the peak value and the maximum value of the “noise”.



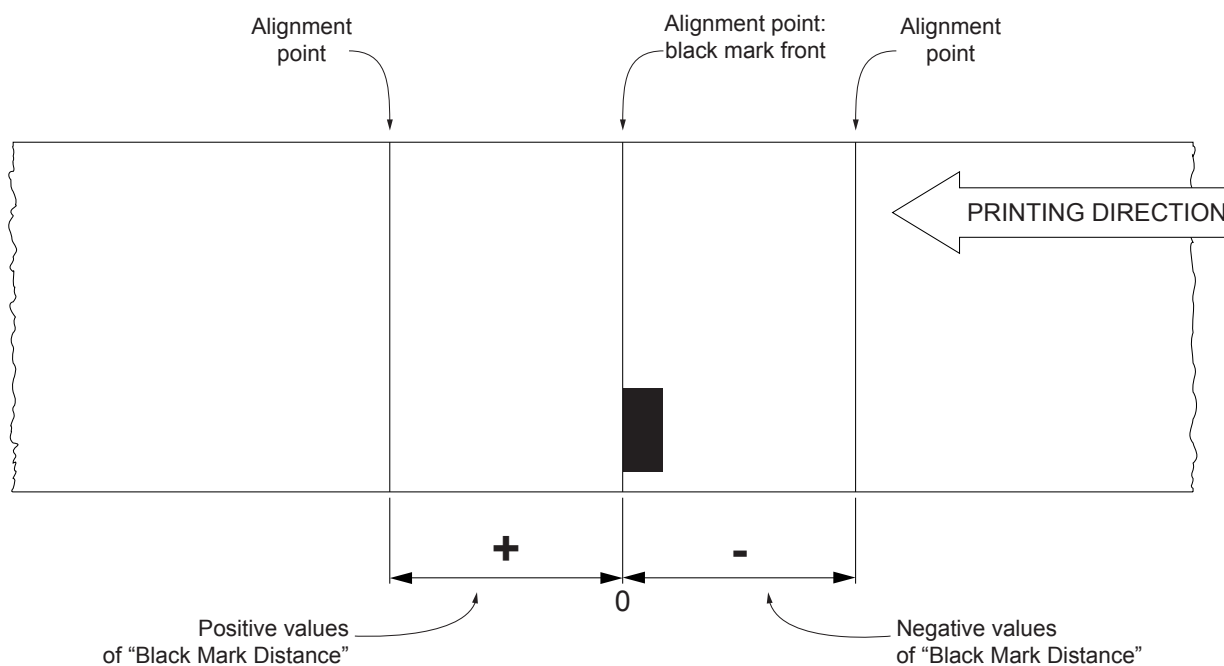
If the maximum value of “noise” read by the sensor is very close to the peak value, it might be difficult to place the value of the “Black Mark Threshold” at an intermediate point. In these cases, it is mandatory that the portion of paper between the point of printing end and the front black mark is completely white (no graphics). In this way, the only next graphic detected by the sensor for alignment after the printing end will be the black mark.

7.2 Alignment parameters

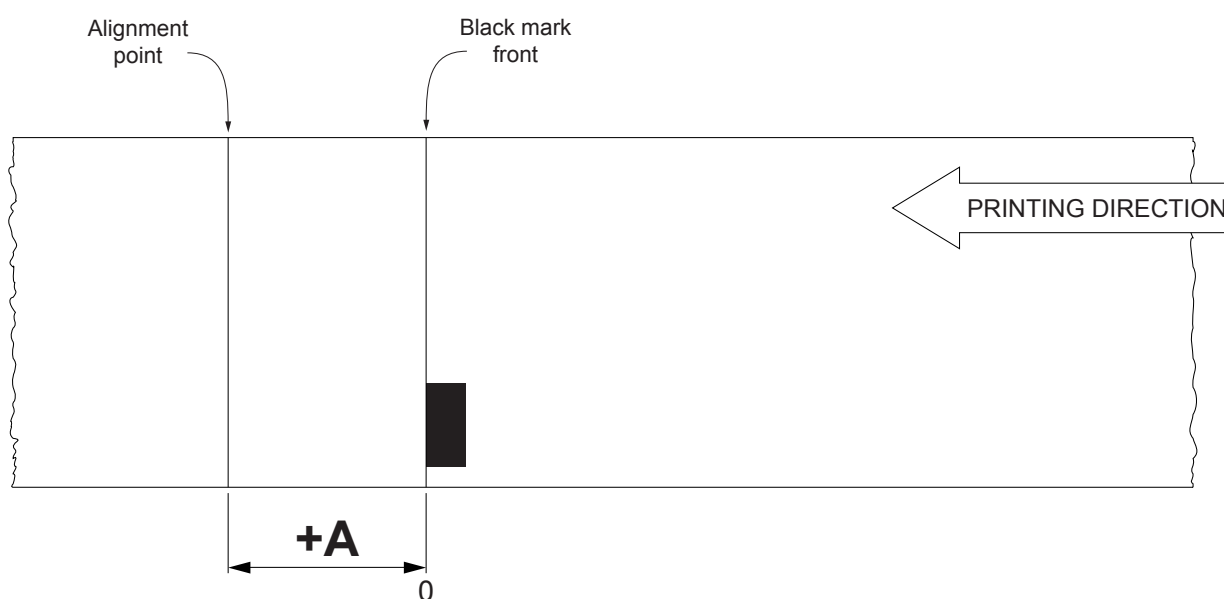
The “alignment point” is defined as the position inside the ticket to use for the black mark alignment. The distance between the black mark edge and the alignment point is defined as “Black Mark Distance”.

Referring to the front of the black mark, the value of “Black Mark Distance” varies from -19.9 mm minimum and +99.9 mm maximum.

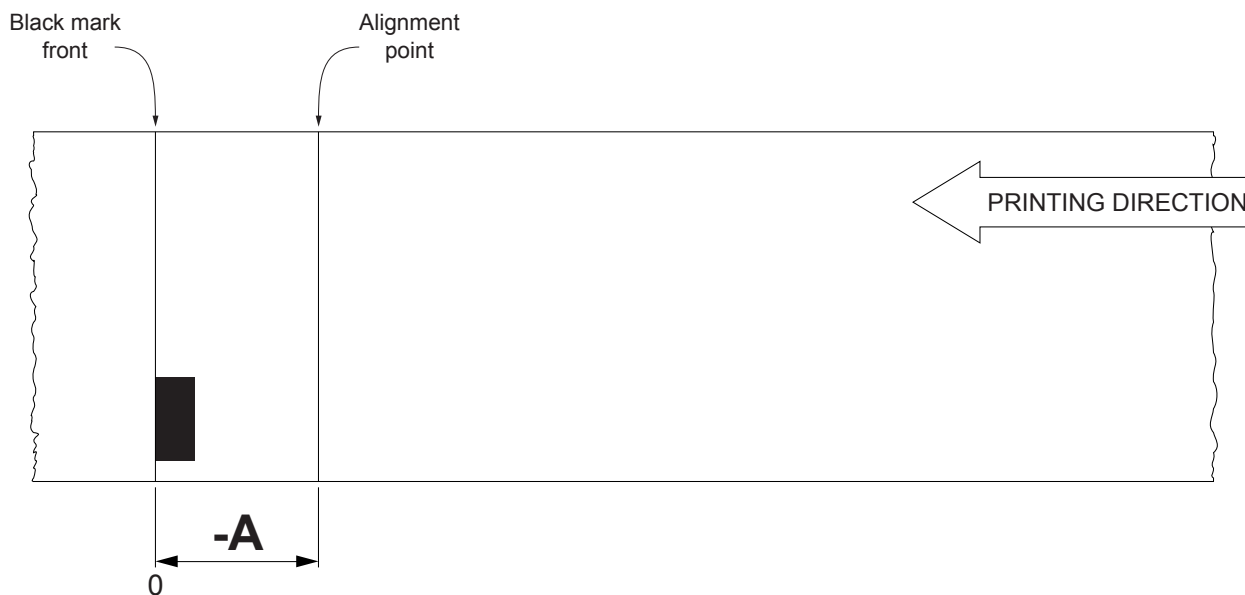
If the “Black Mark Distance” value is set to 0, the alignment point is set at the beginning of the black mark.



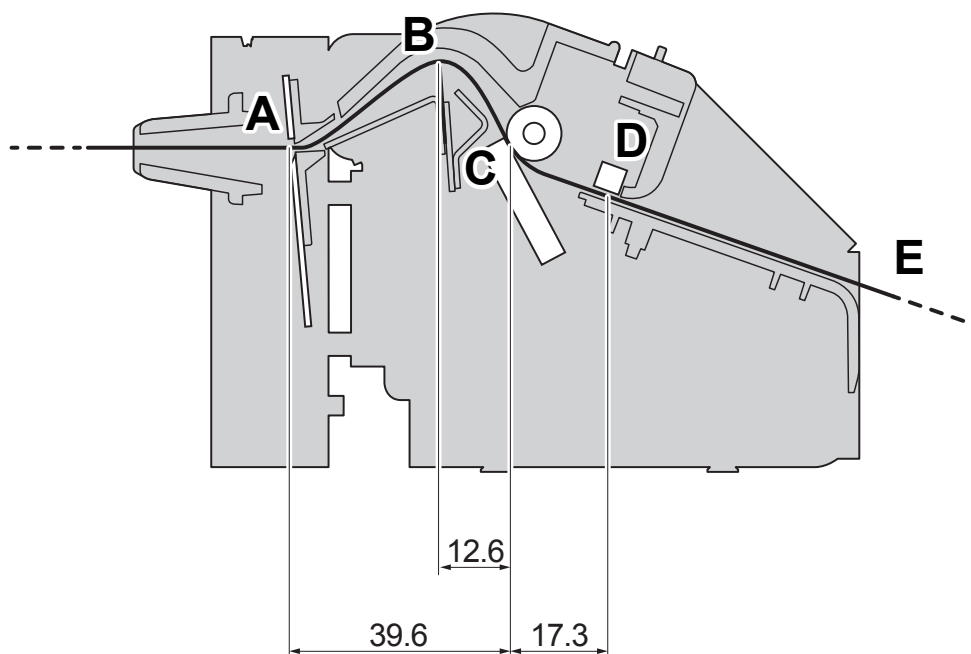
The following figure shows an example of paper with alignment point set by a positive value of “Black Mark Distance” (“Black Mark Distance” = + A):



To set a negative value of the “Black Mark Distance” parameter is useful in cases where the alignment point refers to the black mark printed on the previous ticket or where the desired cutting line is placed in the middle of the alignment black mark. In the following images, the value of “Black Mark Distance” parameter is set to $-A$.



The following figure shows a section of the device with the paper path and the distances between the alignment sensor D, the printhead C and the autocutter A or the serrated blade B (cutting line). All the dimensions shown in figure are in millimetres.





To define the alignment point you need to set the printer parameters that compose the numerical value of the “Black Mark Distance” parameter. (see [paragraph 6.6](#)).

For example, to set a black mark distance of 15 mm between the black mark and the alignment point, the parameters must be set on the following values:

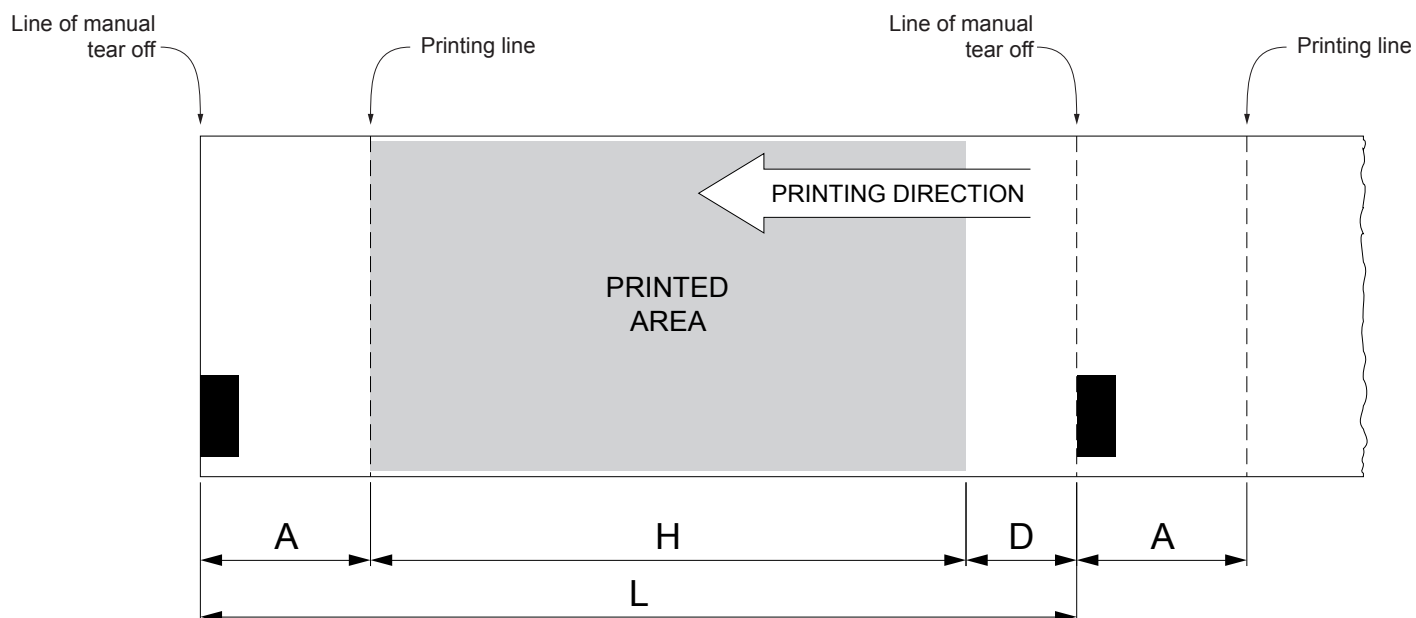
Black Mark Distance sign	: +
Black Mark Distance [mm x 10]	: 1
Black Mark Distance [mm x 1]	: 5
Black Mark Distance [mm x .1]	: 0

The “Black Mark Distance” parameter, may be modified as described in [chapter 6](#).

7.3 Printing area

In order to print ticket containing only one black mark and to not overlay printing to a black mark (that will make it useless for the next alignment), it is important to well calibrate the length of the printing area of ticket according to the inter-black mark distance.

The following figure shows an example of tickets with “Black Mark Distance” set to 0:



- A “Non-printable area” = “Distance between autocutter/printhead”
- H Distance between the first and the last print line, called “Height of the printing area”.
- L Distance between an edge of the black mark and the next one, called “Inter-black mark distance”.
- D Automatic feed for alignment at the next black mark.

To use all the black marks on the paper, you must comply with the following equation:

$$H + A \leq L$$

The height of the printing area H can be increased to make no progress on alignment D but no further.

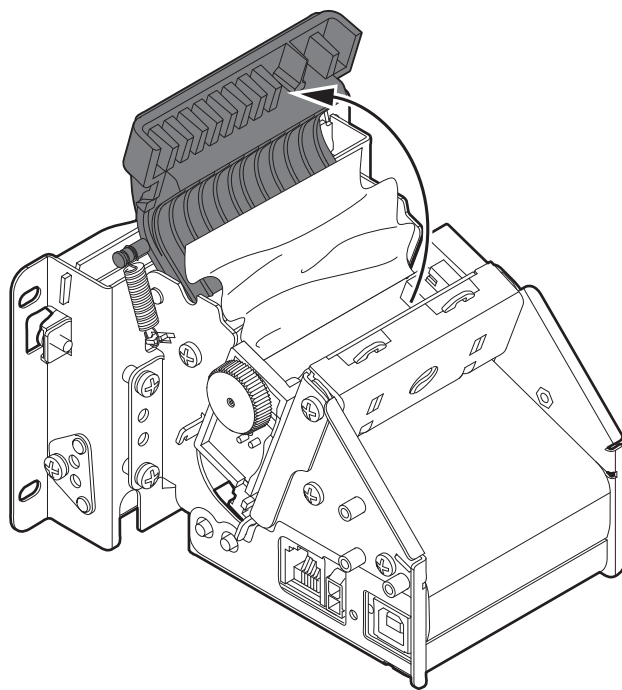


8 MAINTENANCE

8.1 Paper jam

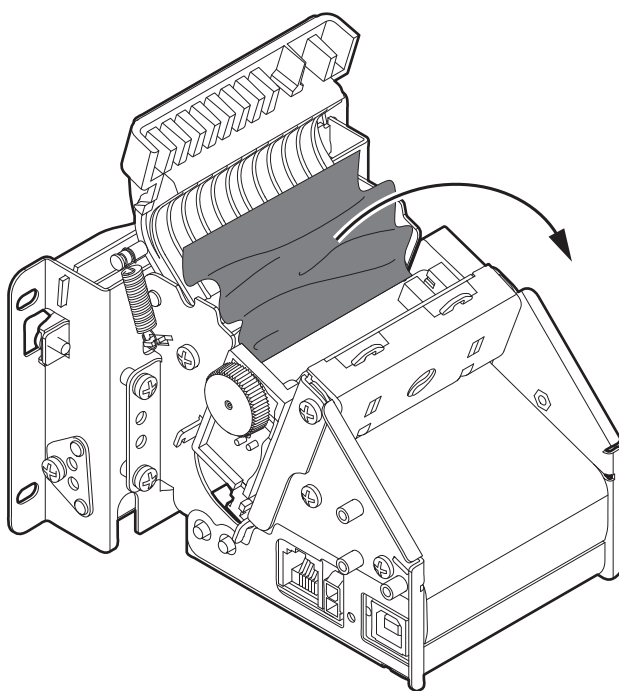
TG1260HIII CUT, TG1260HIII BP, TG1260HIII CUT BP, TG1260HIII CHROMED,
TG2460HIII CHROMED, TG2460HIII TRANSP, TG2460HIII CUT

1



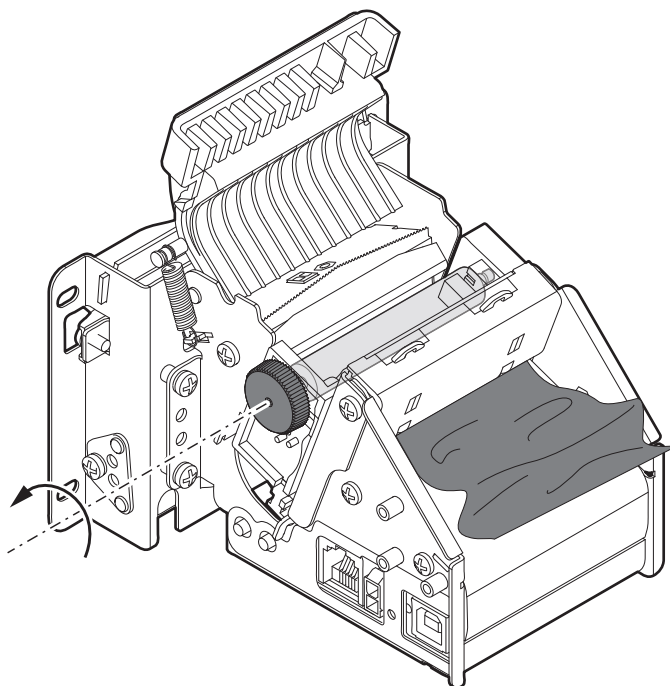
Lift the inspection door
(see [paragraph 5.1](#)).

2



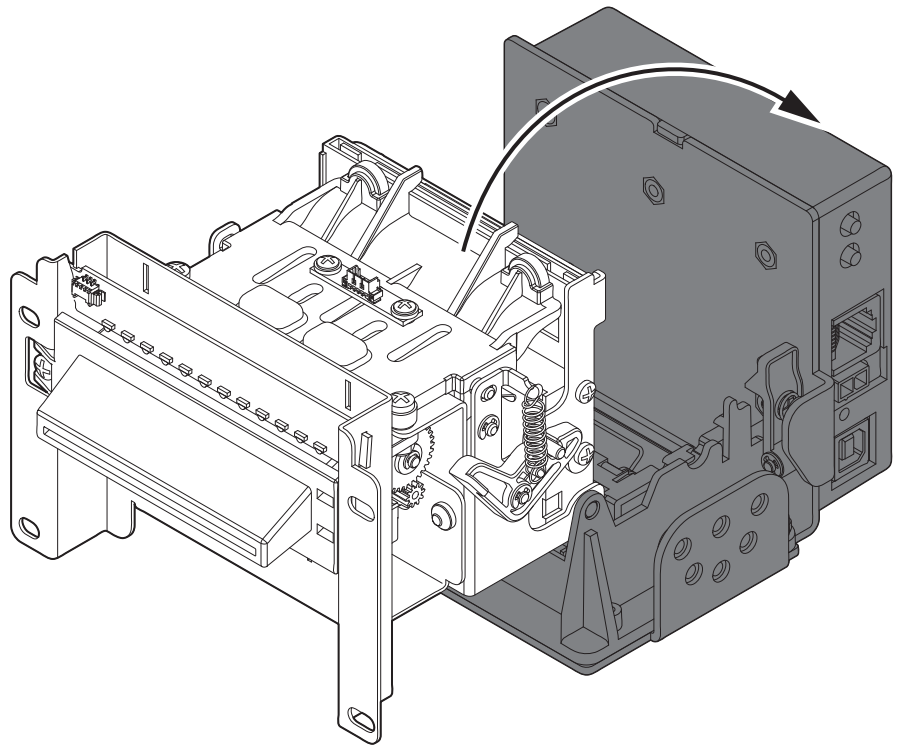
Remove any scraps of paper from the inside of the inspection compartment.

3



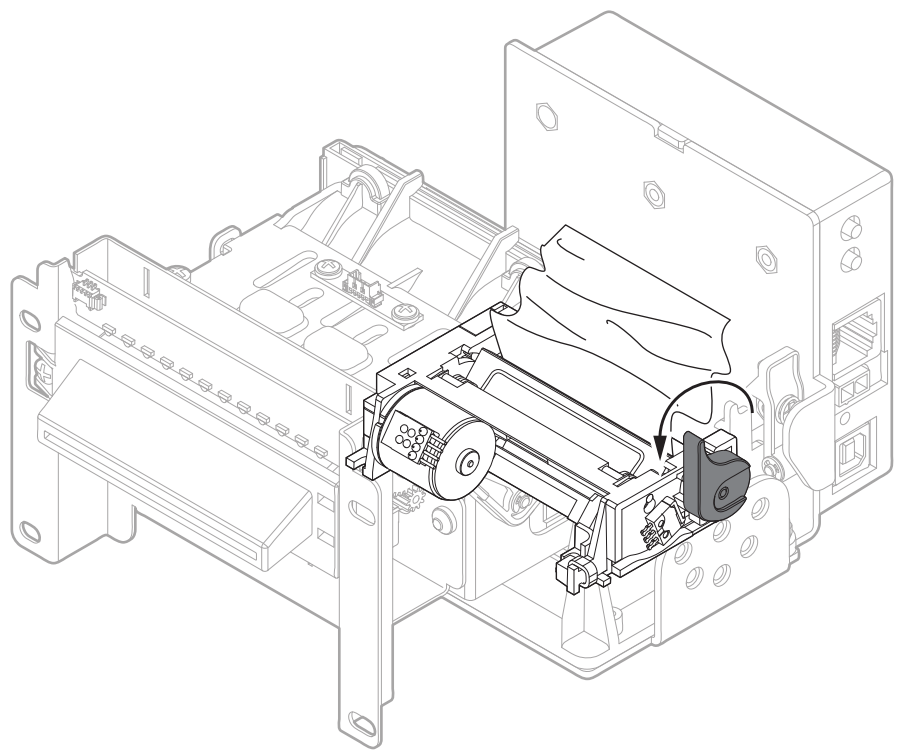
Rotate the platen roller in the shown direction to eject the paper from the rear side of the device.

1



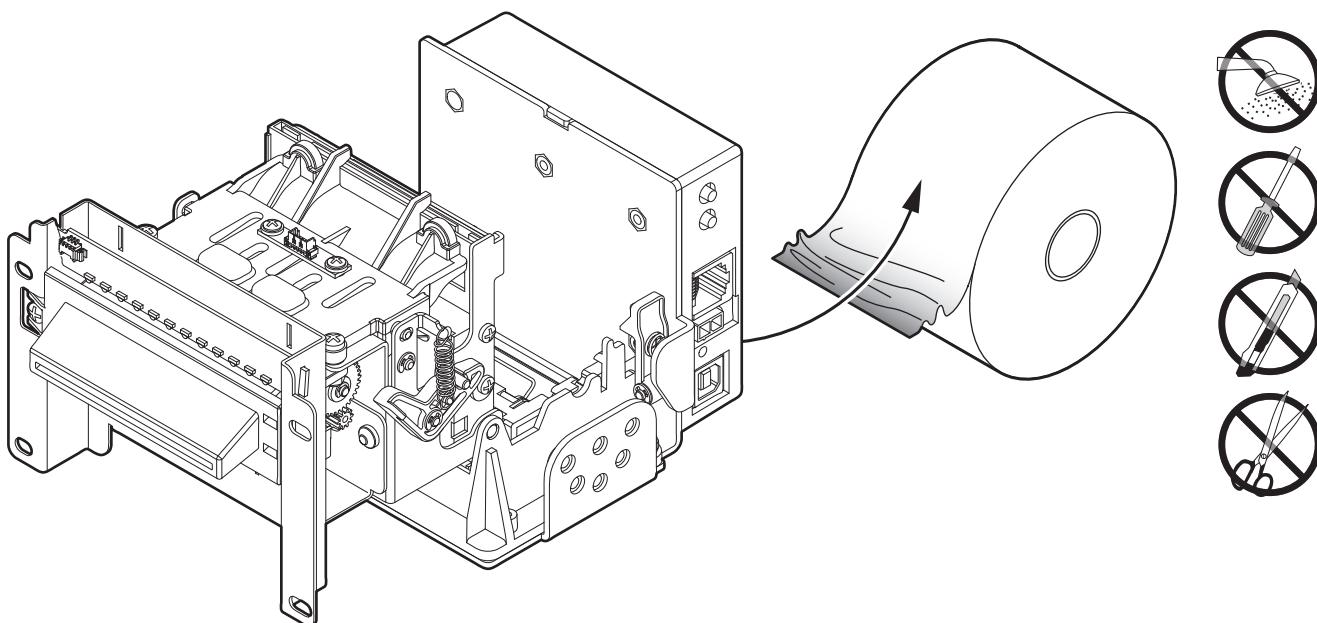
Open the device
(see [paragraph 5.1](#)).

2



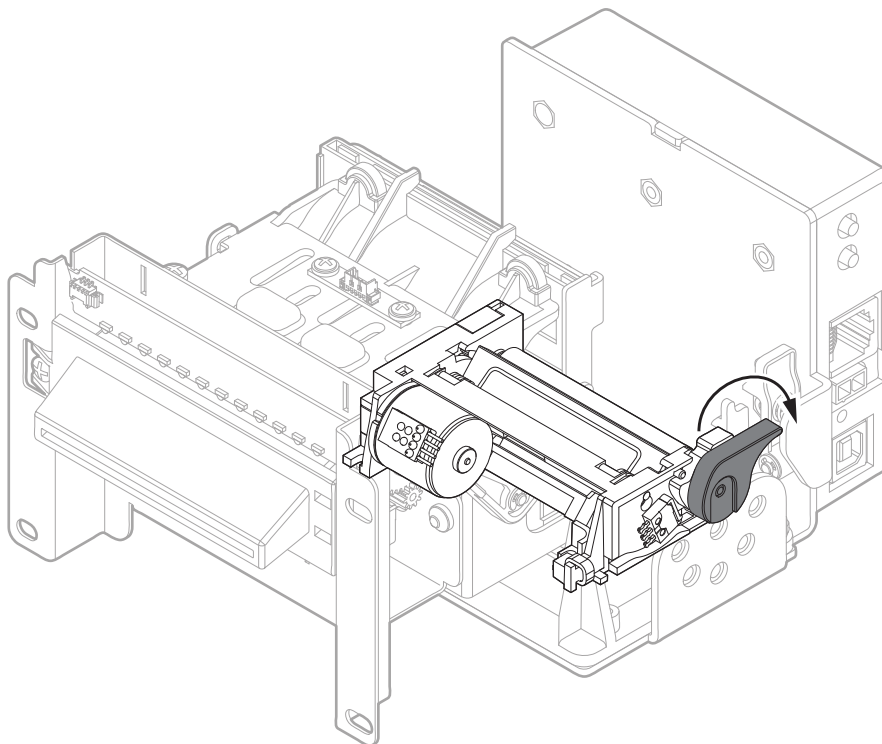
Lower the unlocking lever for the printhead
and remove any scraps of paper from the device printing mechanism.

3



Remove the paper from the rear side of the device.

4



Lift the unlocking lever for the printhead.



8.2 Planning of cleaning operations

The regular cleaning of the device keeps the print quality and extends its life. The following table shows the recommended planning for the cleaning operations. If you use the device in dusty environments, you must reduce the intervals between the cleaning operations.

For specific procedures, see the following pages.

EVERY PAPER CHANGE	
Platen roller	Use isopropyl alcohol
EVERY 5 PAPER CHANGES	
Paper path	Use compressed air or tweezers
Autocutter ⁽¹⁾	Use compressed air
Sensors	Use compressed air
EVERY 6 MONTHS OR AS NEEDED	
Chassis	Use compressed air or a soft cloth

NOTE:

(1) : Only for TG1260HIII CUT, TG1260HIII CUT BP, TG2460HIII CUT and TG2460HIII EJC.



8.3 Cleaning

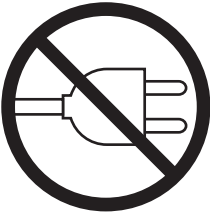
For periodic cleaning of the device, see the instructions below.

**TG1260HIII CUT, TG1260HIII BP, TG1260HIII CUT BP, TG1260HIII CHROMED,
TG2460HIII CHROMED, TG2460HIII TRANSP, TG2460HIII CUT**

Platen roller

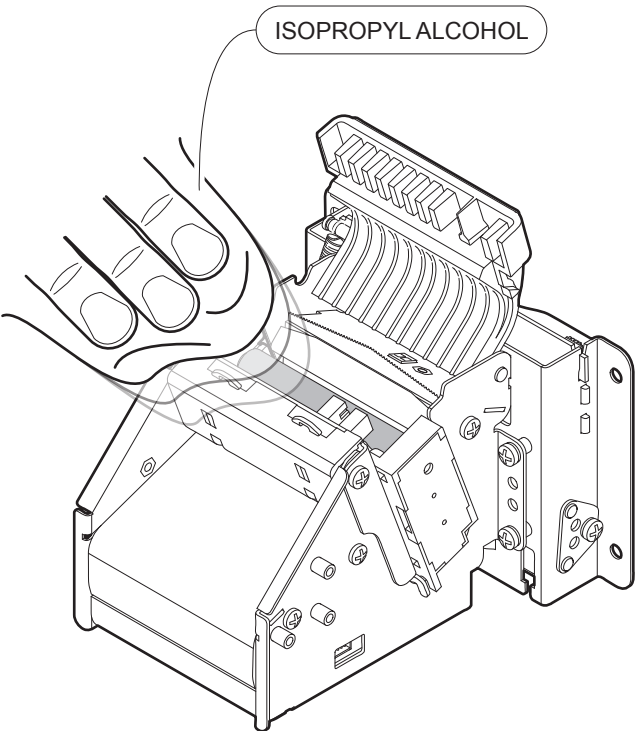
Paper path

1




Disconnect the power supply cable and open the inspection door (see [paragraph 5.1](#)).

2



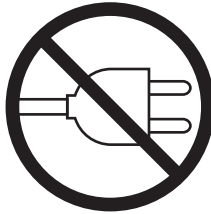
ISOPROPYL ALCOHOL

ATTENTION:
Do not use solvents, or hard brushes.
Do not let water or other liquids get inside the device.



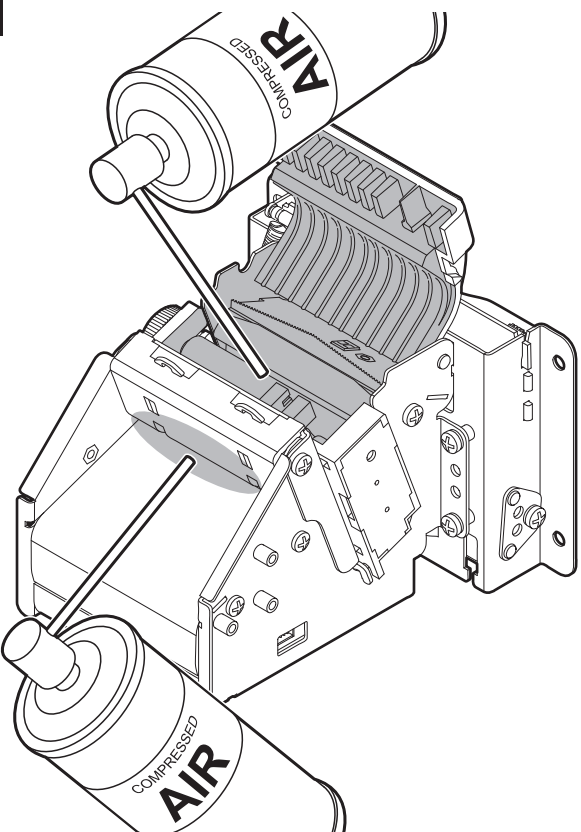
Clean the platen roller by using a non-abrasive cloth moistened with isopropyl.

1




Disconnect the power supply cable and open the inspection door (see [paragraph 5.1](#)).

2



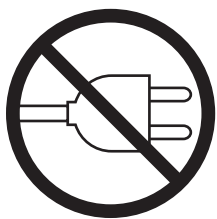
ATTENTION:
Do not use alcohol, solvents, or hard brushes.
Do not let water or other liquids get inside the device.



Remove any scraps of paper and the accumulated paper dust in the inspection compartment and in the paper input area.

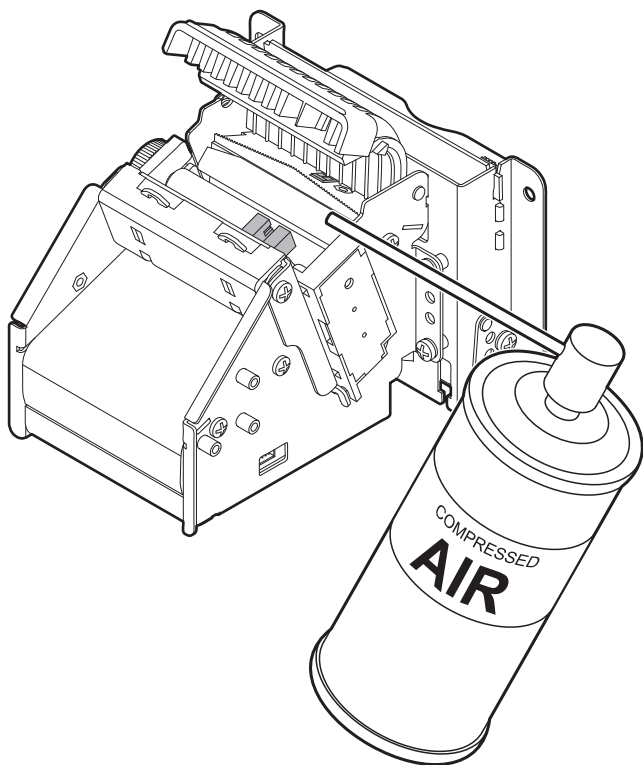
Sensors

1



Disconnect the power supply cable and open the inspection door (see [paragraph 5.1](#)).

2



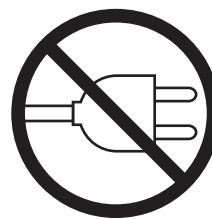
ATTENTION:
Do not use alcohol, solvents, or hard brushes.
Do not let water or other liquids get inside the device.



Clean the paper presence sensor and the sensor for the opening of the inspection door by using compressed air.

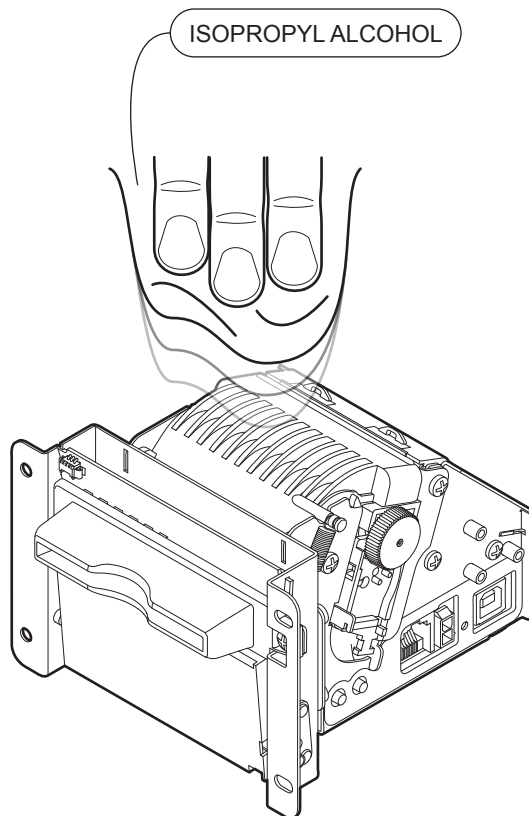
Chassis

1



Disconnect the power supply cable.

2



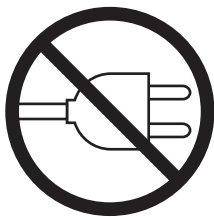
ATTENTION:
Do not use alcohol, solvents, or hard brushes.
Do not let water or other liquids get inside the device.



To clean the device, use compressed air or a soft cloth.

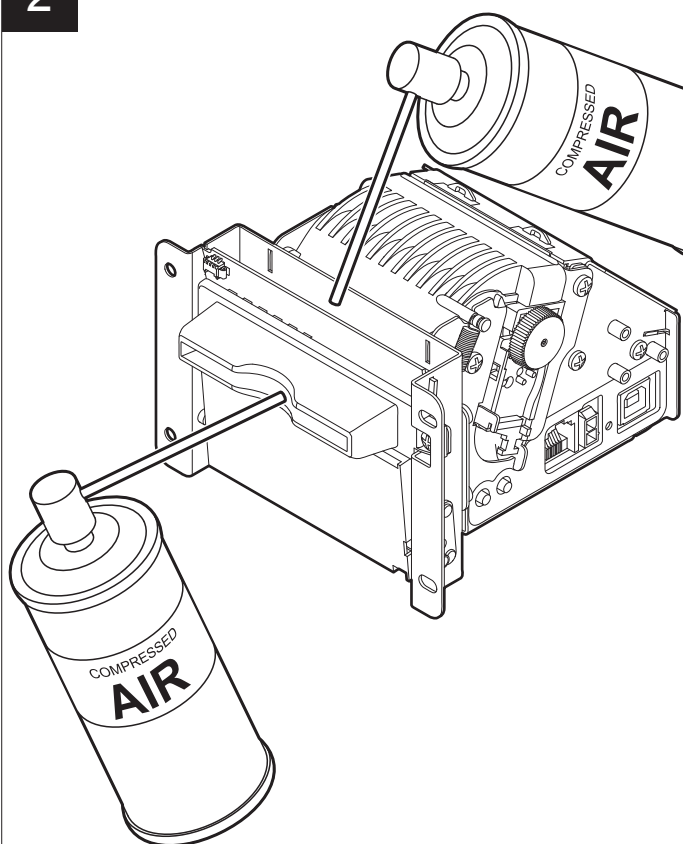
Autocutter

1



Disconnect the power supply cable.

2



ATTENTION:

Do not use alcohol, solvents, or hard brushes.
Do not let water or other liquids get inside the device.

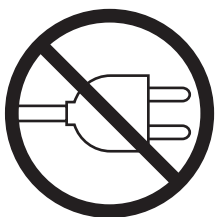


Remove any scraps of paper and the accumulated paper dust on the input and the output of autocutter.

TG2460HIII EJC

Platen roller

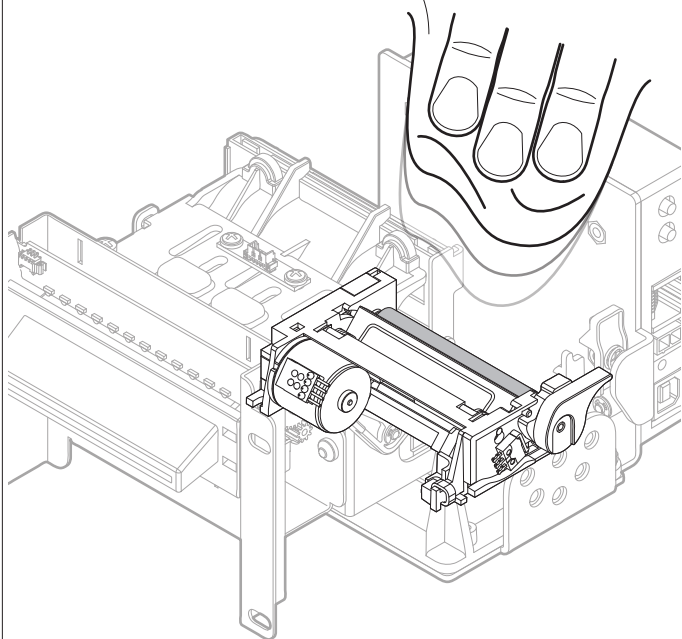
1



Disconnect the power supply cable and open the device (see [paragraph 5.1](#)).

2

ISOPROPYL ALCOHOL



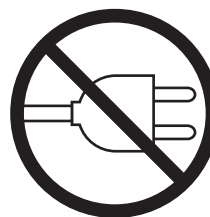
ATTENTION:
Do not use solvents, or hard brushes.
Do not let water or other liquids get inside the device.



Clean the platen roller by using a non-abrasive cloth moistened with isopropyl.

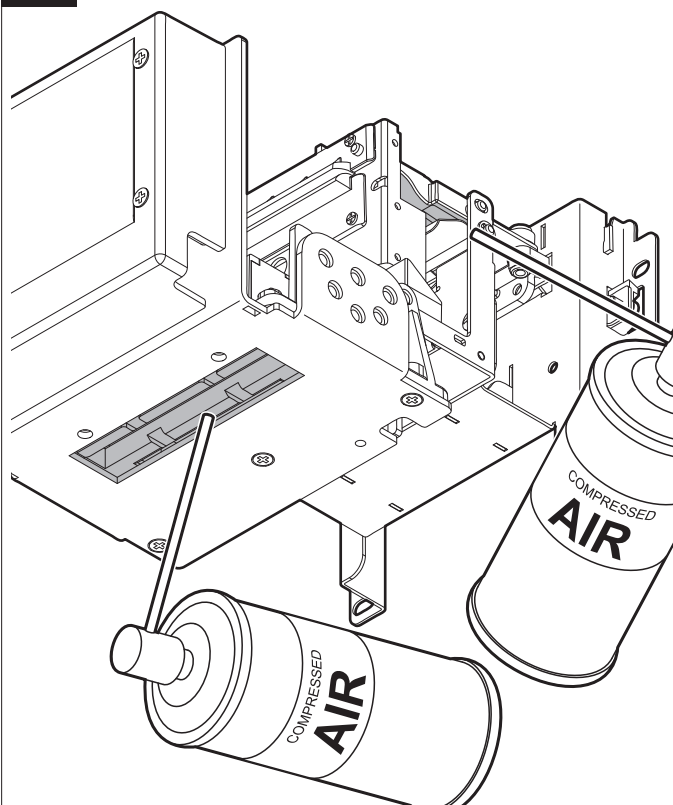
Paper path

1



Disconnect the power supply cable and open the device (see [paragraph 5.1](#)).

2



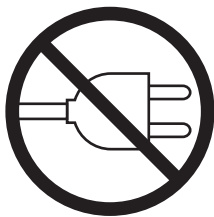
ATTENTION:
Do not use alcohol, solvents, or hard brushes.
Do not let water or other liquids get inside the device.



Clear the area involved in the passage of paper and the paper input area by using compressed air.

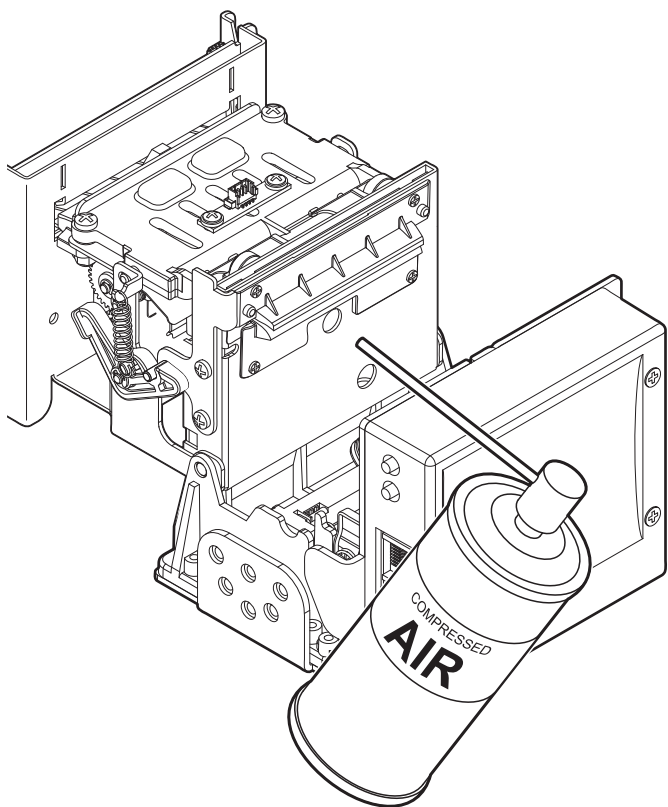
Autocutter

1



Disconnect the power supply cable.

2



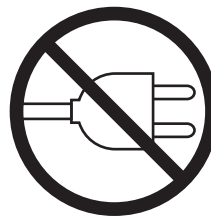
ATTENTION:
Do not use alcohol, solvents, or hard brushes.
Do not let water or other liquids get inside the device.



Remove any scraps of paper and the accumulated paper dust on the input and the output of autocutter.

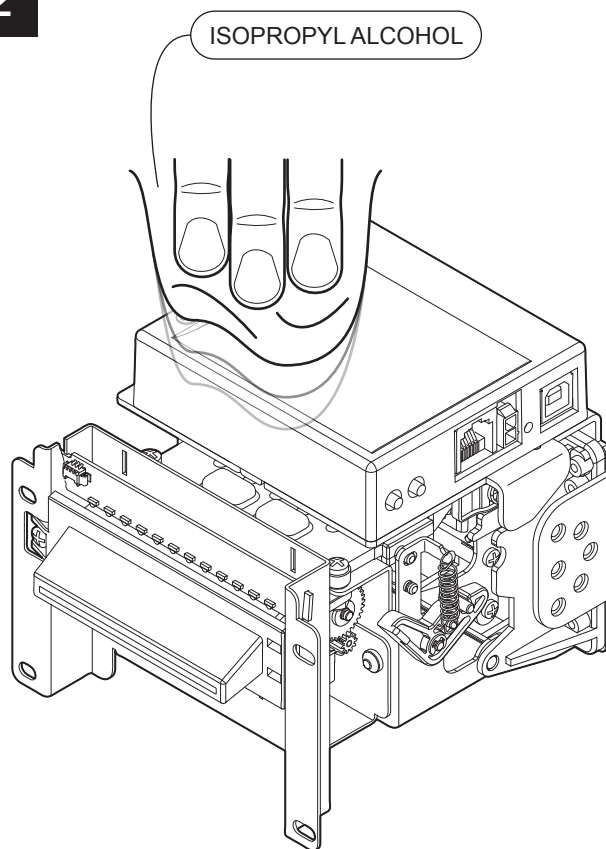
Chassis

1



Disconnect the power supply cable.

2



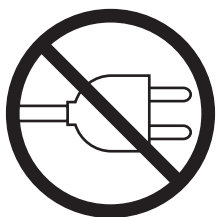
ATTENTION:
Do not use alcohol, solvents, or hard brushes.
Do not let water or other liquids get inside the device.



To clean the device,
use compressed air or a soft cloth.

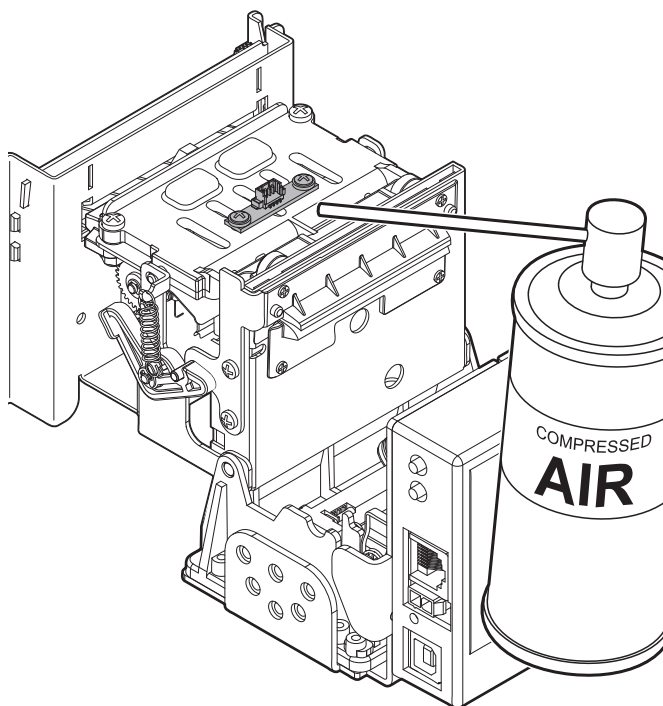
Sensors

1



Disconnect the power supply cable and open the device (see [paragraph 5.1](#)).

2



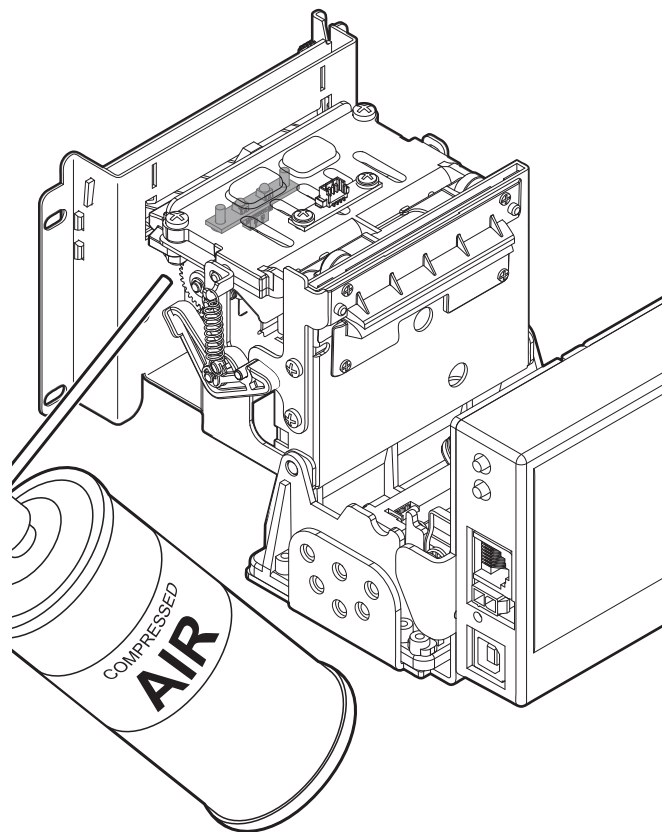
ATTENTION:

Do not use alcohol, solvents, or hard brushes.
Do not let water or other liquids get inside the device.



Clean the paper input presence sensor
by using compressed air.

3



ATTENTION:

Do not use alcohol, solvents, or hard brushes.
Do not let water or other liquids get inside the device.



Clean the paper output presence sensor
by using compressed air.

8.4 Firmware upgrade

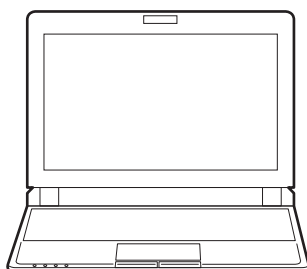
Firmware upgrade can be performed by using the “PrinterSet” software tool available on www.custom4u.it. To upgrade firmware, proceed as follows.

1

[WWW.CUSTOM4U.it](http://www.CUSTOM4U.it)

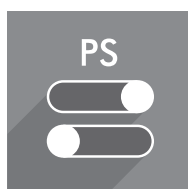
Login to the website www.custom4u.it, type in the product code of the device and download the latest firmware release available.

2



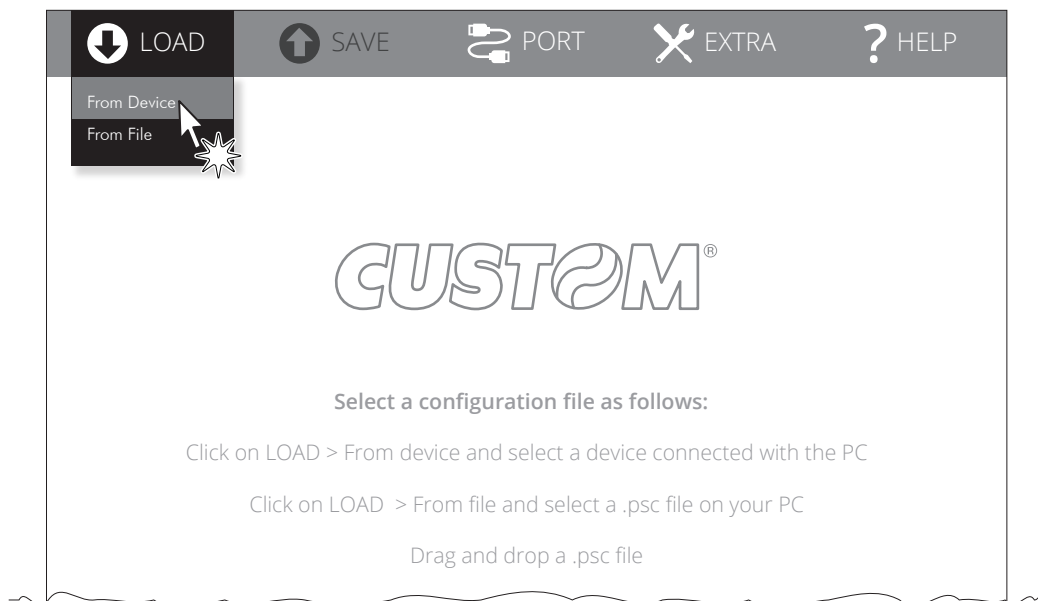
Connect the device to a PC directly (see [paragraph 4.3](#)), without using HUB devices.

3



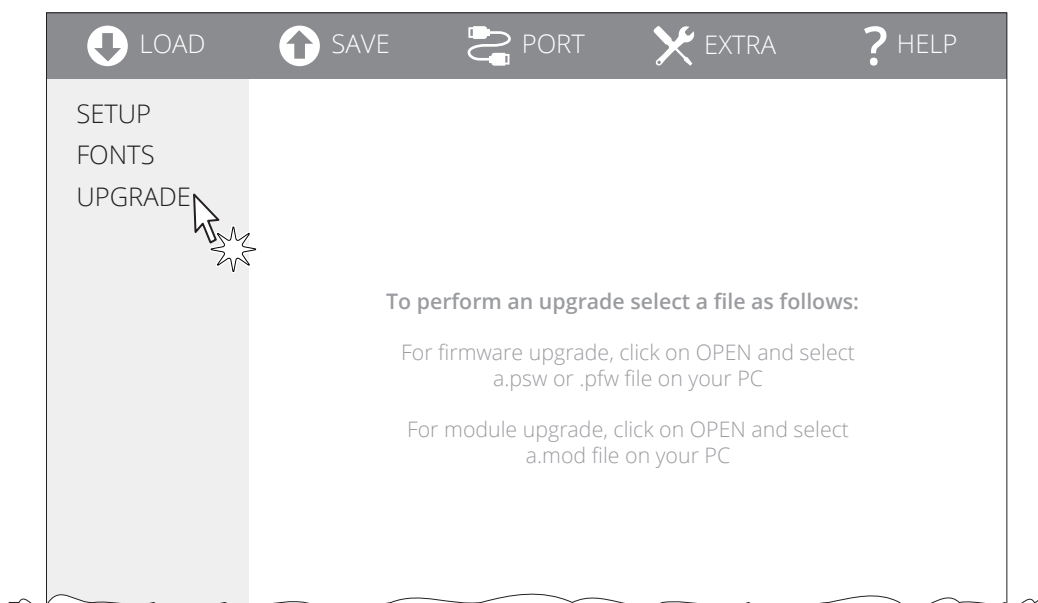
Start the “PrinterSet” software tool.

4



Click on LOAD > FROM DEVICE and select the device connected to the PC.

5



Click on UPGRADE and follow the instructions shown on the screen.

ATTENTION:

During saving, it is strongly discouraged to disconnect the communication cable or to remove the power supply of the PC or the device.





9 SPECIFICATIONS

9.1 Hardware specifications

GENERAL	
Sensors	Paper presence, head temperature, paper jam, inspection door open, alignment black mark presence, external low paper
Emulations	TGH, CUSTOM/POS
Printing driver	Windows XP Windows VISTA (32/64 bit) Windows 7 (32/64 bit) Windows 8 (32/64 bit) Windows 8.1 (32/64 bit) Windows 10 (32/64 bit) Self-installing driver for Virtual COM (32/64 bit) Linux (32/64 bit)
INTERFACES	
RS232 serial connector	from 9600 bps to 115200 bps
USB connector	12 Mbit/s
MEMORIES	
Receive buffer	8 kB
Flash memory	1 MB internal + 4 MB external
RAM memory	256 kB internal
Graphic memory	2 logos (448 x 584 dots)
PRINTER	
Resolution	203 dpi (8 dot/mm)
Printing method	Thermal, fixed head
Head life ⁽¹⁾	
Abrasion resistance ⁽²⁾	200 km (with recommended paper)
Pulse durability	100 M (12.5% duty cycle)



Printing width	52 mm, 56 mm
Printing mode	Normal, 90°, 180°, 270°
Printing format	Height/width from 1 to 8, bold, reverse, underlined, italic
Character fonts	55 character code tables (see paragraph 9.7) Extended chinese GB18030-2000 Korean CP949
Printable barcode	UPC-A, UPC-E, EAN13, EAN8, CODE39, ITF, CODABAR, CODE93, CODE128, CODE32, QR CODE, DATAMATRIX

Printing speed ^{(1) (3)}

TG1260HIII CUT
TG1260HIII BP
TG1260HIII CUT BP
TG1260HIII CHROMED

Normal = 32 mm/s
High Speed = 39 mm/s

TG2460HIII CHROMED
TG2460HIII TRANSP
TG2460HIII CUT
TG2460HIII EJC

Normal = 95 mm/s
High Speed = 120 mm/s

PAPER

Type of paper	Thermal rolls, heat-sensitive side on outside of roll
Paper width	60 mm ± 0.5 mm
Paper weight	from 55 g/m ² to 70 g/m ²
Paper thickness	60 µm ± 0.5 µm (for 55 g/m ² paper) 80 µm ± 0.6 µm (for 70 g/m ² paper)
Recommended types of paper	KANZAN KF50 or KP460 MITSUBISHI PG5041
External roll diameter	max 100 mm (with external paper roll holder)
Paper end	Not attached to roll core
Internal roll core diameter	13 mm
Core type	Cardboard or plastic



Minimum ticket length ⁽⁴⁾

TG1260HIII CUT	
TG1260HIII BP	
TG1260HIII CUT BP	
TG1260HIII CHROMED	45 mm
TG2460HIII CHROMED	
TG2460HIII TRANSP	
TG2460HIII CUT	

TG2460HIII EJC	94 mm
----------------	-------

AUTOCUTTER (only for TG1260HIII CUT, TG1260HIII CUT BP, TG2460HIII CUT and TG2460HIII EJC)

Paper cut	Total cut
-----------	-----------

Estimated life ⁽¹⁾	1000000 cuts
-------------------------------	--------------

DEVICE ELECTRICAL SPECIFICATIONS

Power supply

TG1260HIII CUT	
TG1260HIII BP	
TG1260HIII CUT BP	12 Vdc ± 10%
TG1260HIII CHROMED	

TG2460HIII CHROMED	
TG2460HIII TRANSP	
TG2460HIII CUT	24 Vdc ± 10%
TG2460HIII EJC	

Medium consumption ⁽⁵⁾

TG1260HIII CUT	
TG1260HIII BP	
TG1260HIII CUT BP	1.8 A
TG1260HIII CHROMED	

TG2460HIII CHROMED	
TG2460HIII TRANSP	
TG2460HIII CUT	1.8 A max
TG2460HIII EJC	



Typical consumption ⁽³⁾

TG1260HIII CUT TG1260HIII BP TG1260HIII CUT BP TG1260HIII CHROMED	0.65 A
--	--------

TG2460HIII CHROMED TG2460HIII TRANSP TG2460HIII CUT TG2460HIII EJC	0.88 A
---	--------

Standby consumption	0.04 A
---------------------	--------

ELECTRICAL SPECIFICATIONS POWER SUPPLY code 963GE020000053
(optional for TG2460HIII CHROMED, TG2460HIII TRANSP, TG2460HIII CUT and TG2460HIII EJC)

Power supply voltage	from 100 Vac to 240 Vac
----------------------	-------------------------

Frequency	from 50 Hz to 60 Hz
-----------	---------------------

Output	24 V, 2.5 A
--------	-------------

Power	60 W
-------	------

ENVIRONMENTAL CONDITIONS

Operating temperature	from -20°C to +70 °C
-----------------------	----------------------

Relative humidity (RH)	from 10% to 85% (without condensation)
------------------------	--

Storage temperature	from -20 °C to +70 °C
---------------------	-----------------------

Storage relative humidity (RH)	from 10% to 90% (without condensation)
--------------------------------	--

NOTES:

- (1) : Respecting the regular schedule of cleaning for the device components.
- (2) : Damages caused by scratches, ESD and electromigration are excluded.
- (3) : Referred to a standard CUSTOM receipt (L = 10 cm, Density = 12.5% dots on).
- (4) : In case of printing a page in length less than minimum value, the device automatically adjusts the length the minimum value.
- (5) : Referred to the UL measurements (Ticket 12.5% dots on, Ticket length 10 cm, Print density +50%, Printing loop 30 s).



9.2 Character specifications

TG1260HIII CUT, TG1260HIII BP, TG1260HIII CUT BP, TG1260HIII CHROMED

Character set		3	
Character density	11 cpi	15 cpi	20 cpi
Number of columns	26	34	44
Chars / seconds	338	442	572
Lines / seconds	13	13	13
Characters (L x H mm) - Normal	2.125 x 3	1.625 x 3	1.2 x 3

TG2460HIII CHROMED, TG2460HIII TRANSP, TG2460HIII CUT, TG2460HIII EJC

Character set		3	
Character density	11 cpi	15 cpi	20 cpi
Number of columns	26	34	44
Chars / seconds	1040	1360	1760
Lines / seconds	40	40	40
Characters (L x H mm) - Normal	2.125 x 3	1.625 x 3	1.2 x 3

NOTE:
Theoretical values.

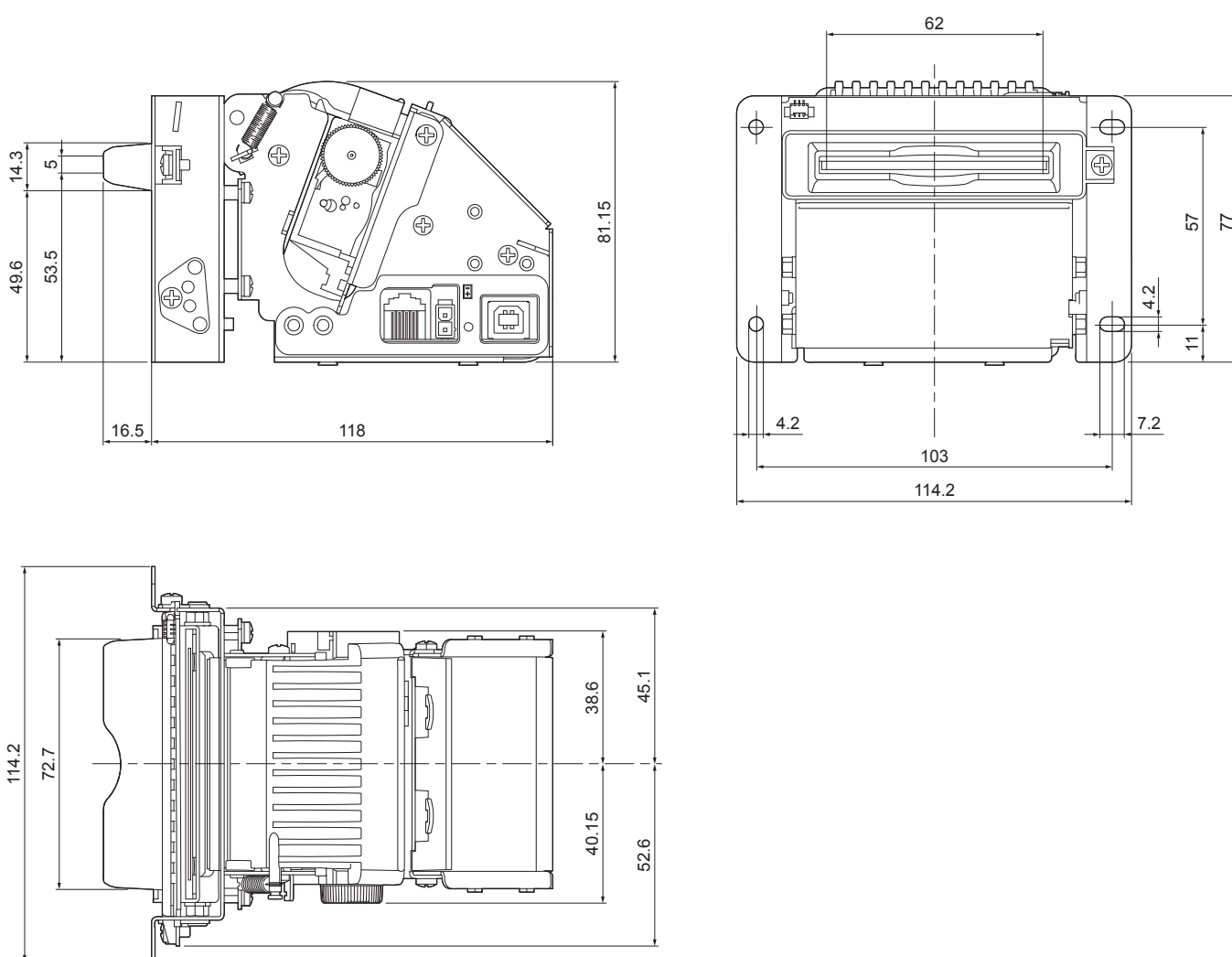


9.3 Device dimensions

All the dimensions shown in following figures are in millimetres.

TG1260HIII CUT, TG2460HIII CUT

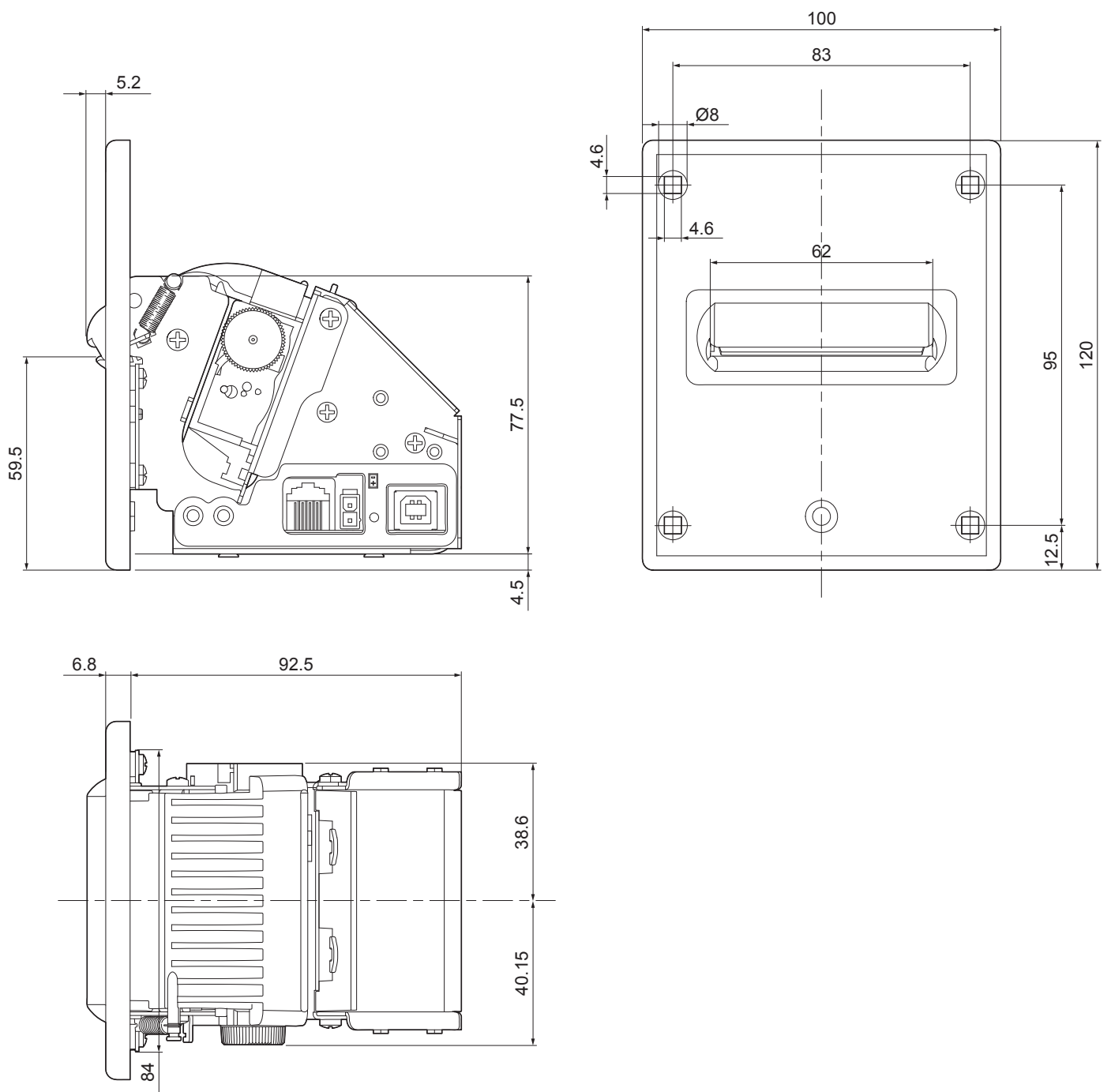
Length	134.5 mm
Height	81.15 mm
Width	114.2 mm
Weight	500 g





TG1260HIII BP

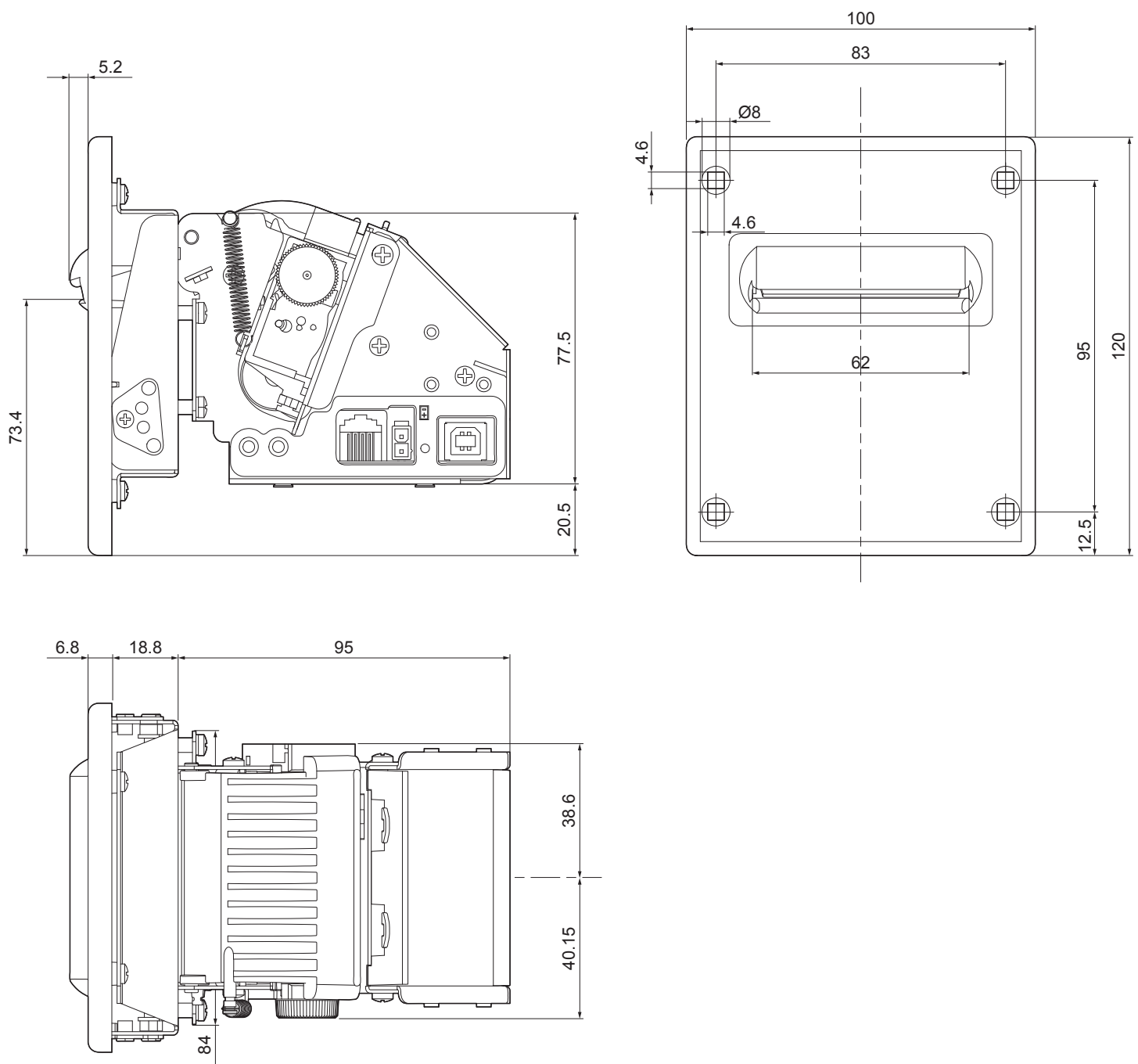
Length	104.5 mm
Height	120 mm
Width	100 mm
Weight	420 g





TG1260HIII CUT BP

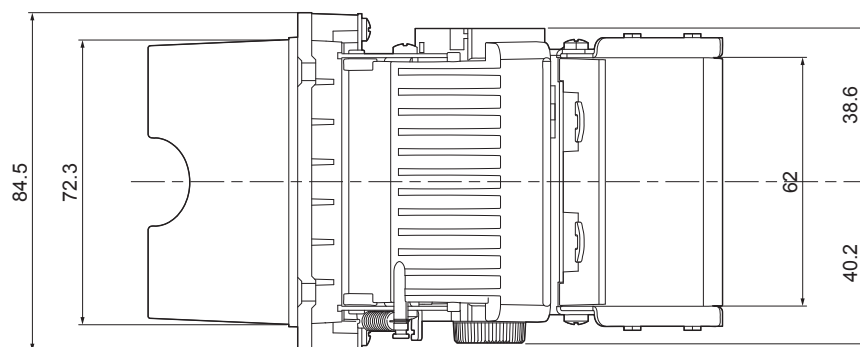
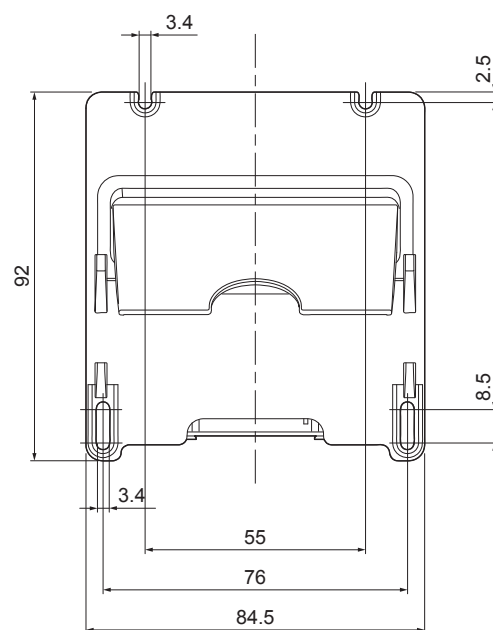
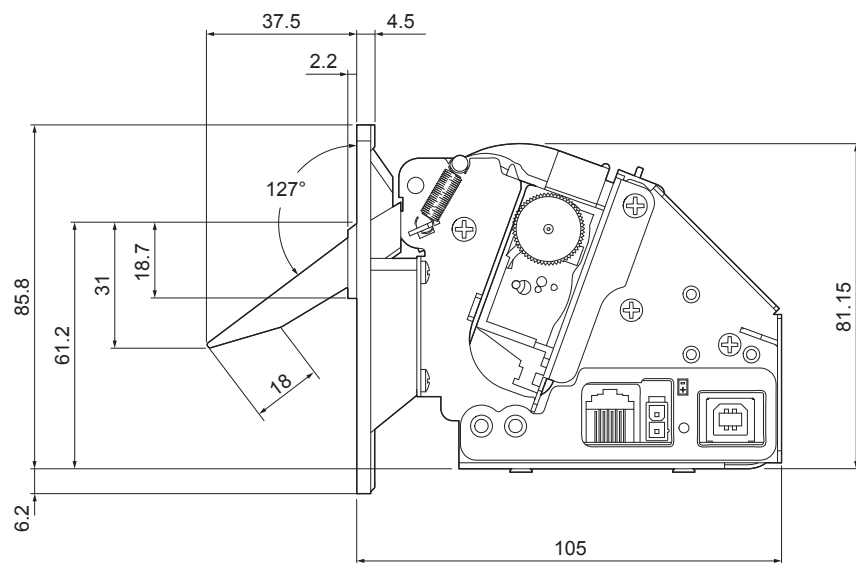
Length	125.8 mm
Height	120 mm
Width	100 mm
Weight	500 g





TG1260HIII CHROMED, TG2460HIII CHROMED

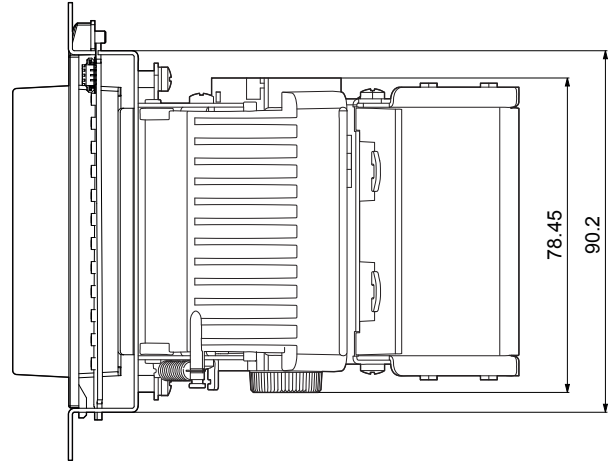
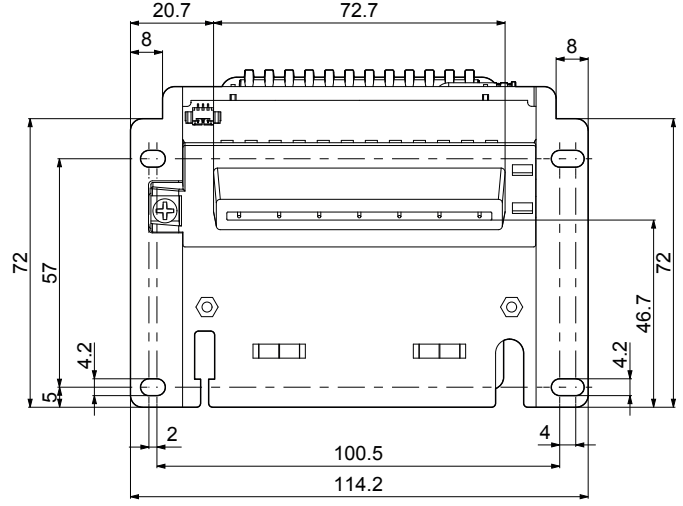
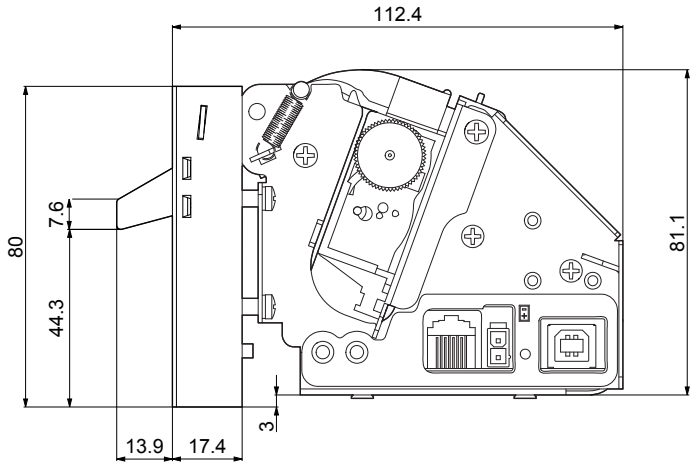
Length	142.5 mm
Height	92 mm
Width	84.5 mm
Weight	625 g





TG2460HIII TRANSP

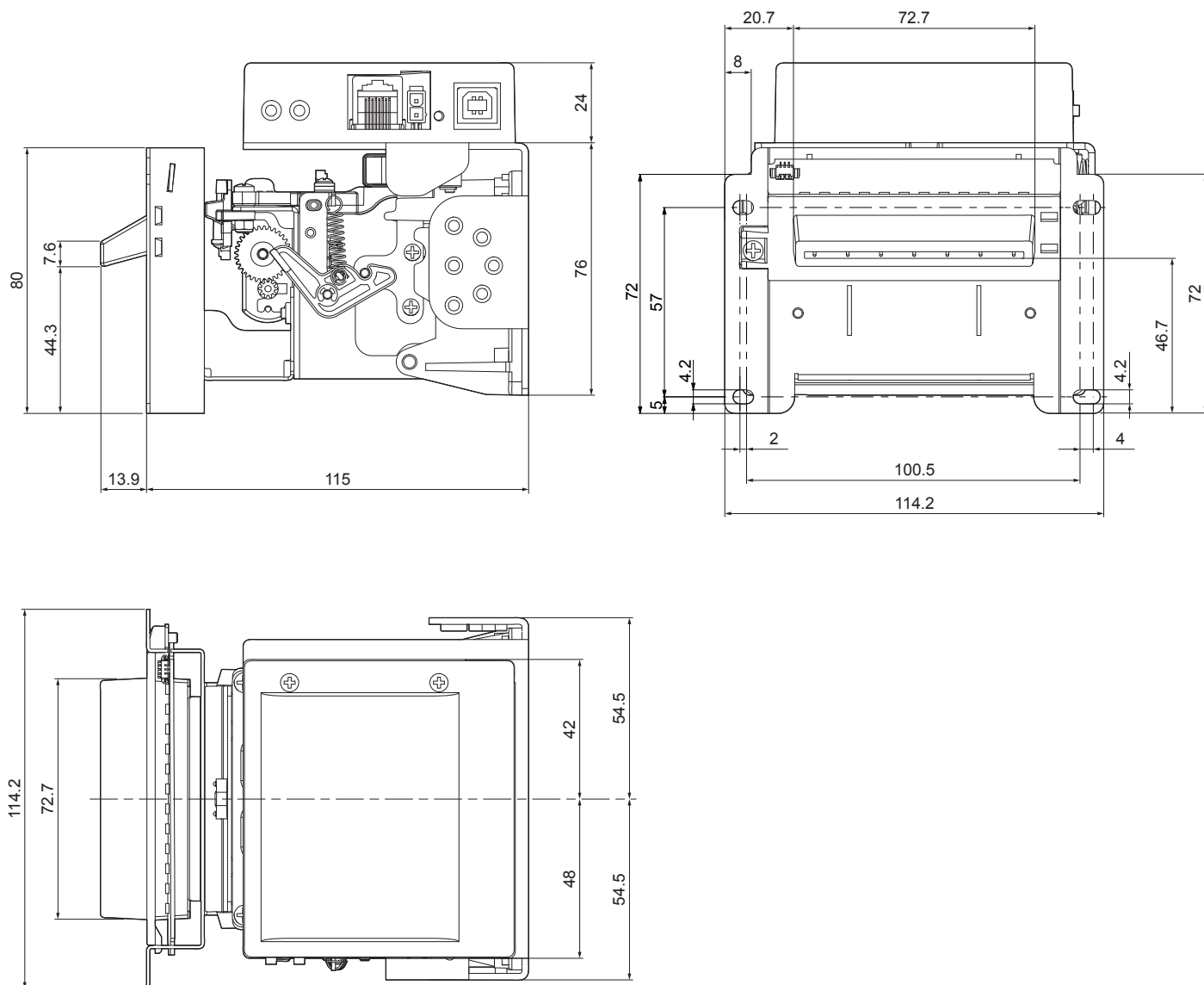
Length	126.3 mm
Height	81.15 mm
Width	114.2 mm
Weight	500 g





TG2460HIII EJC

Length	128.9 mm
Height	100 mm
Width	114.2 mm
Weight	1000 g

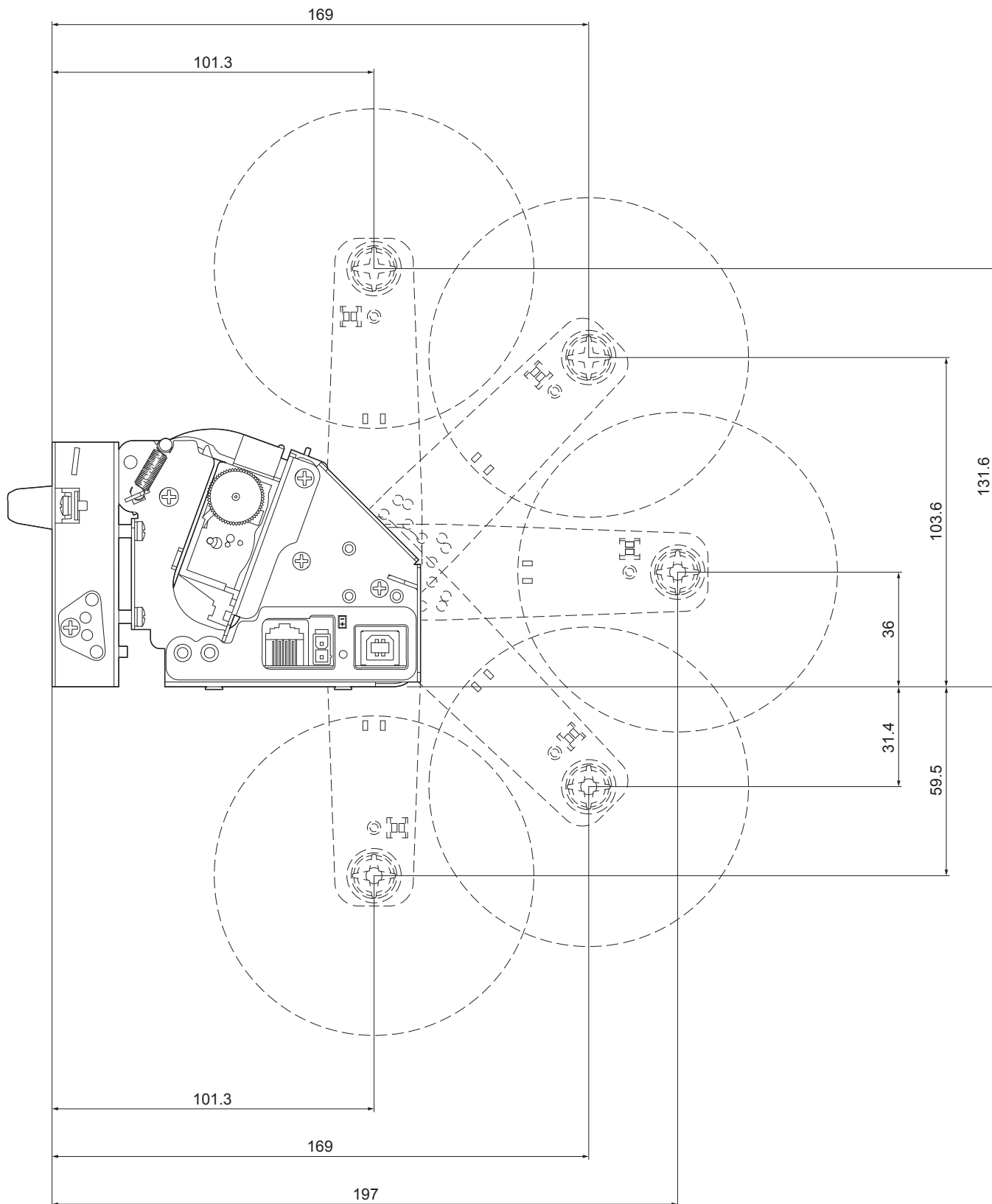




9.4 Device dimensions with adjustable paper roll holder code 974CE01000001 (optional)

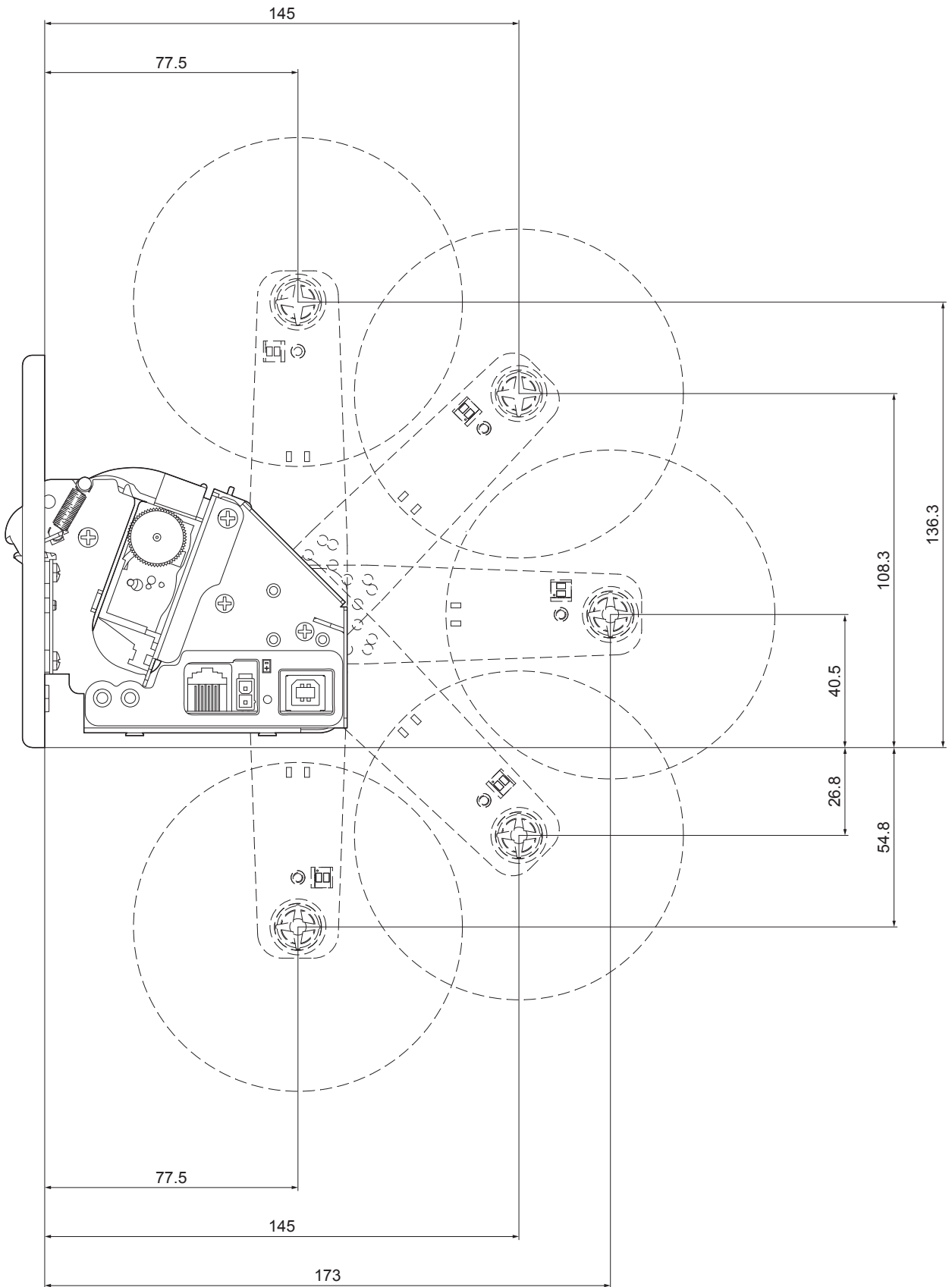
All the dimensions shown in following figures are in millimetres.

TG1260HIII CUT, TG2460HIII CUT



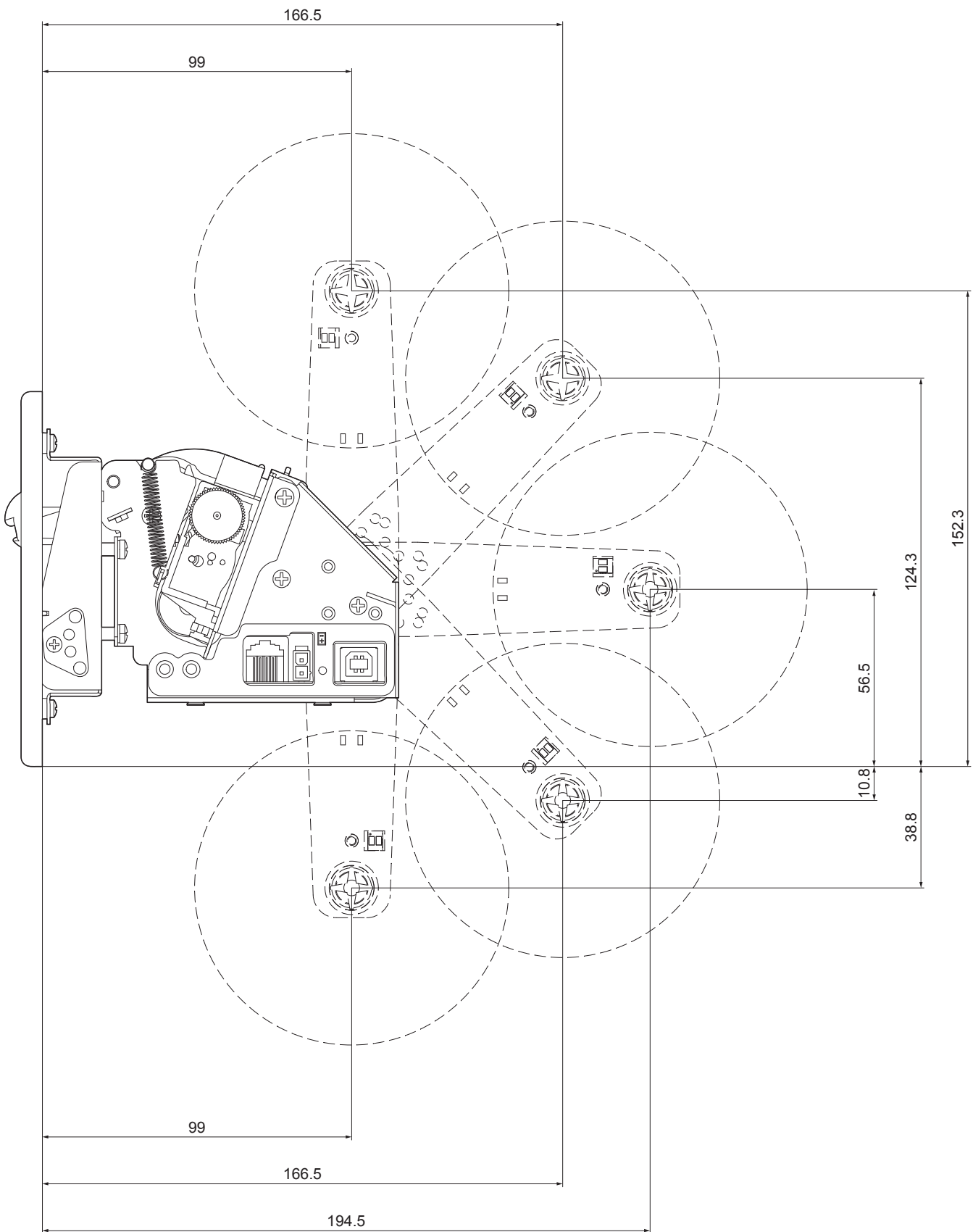


TG1260HIII BP



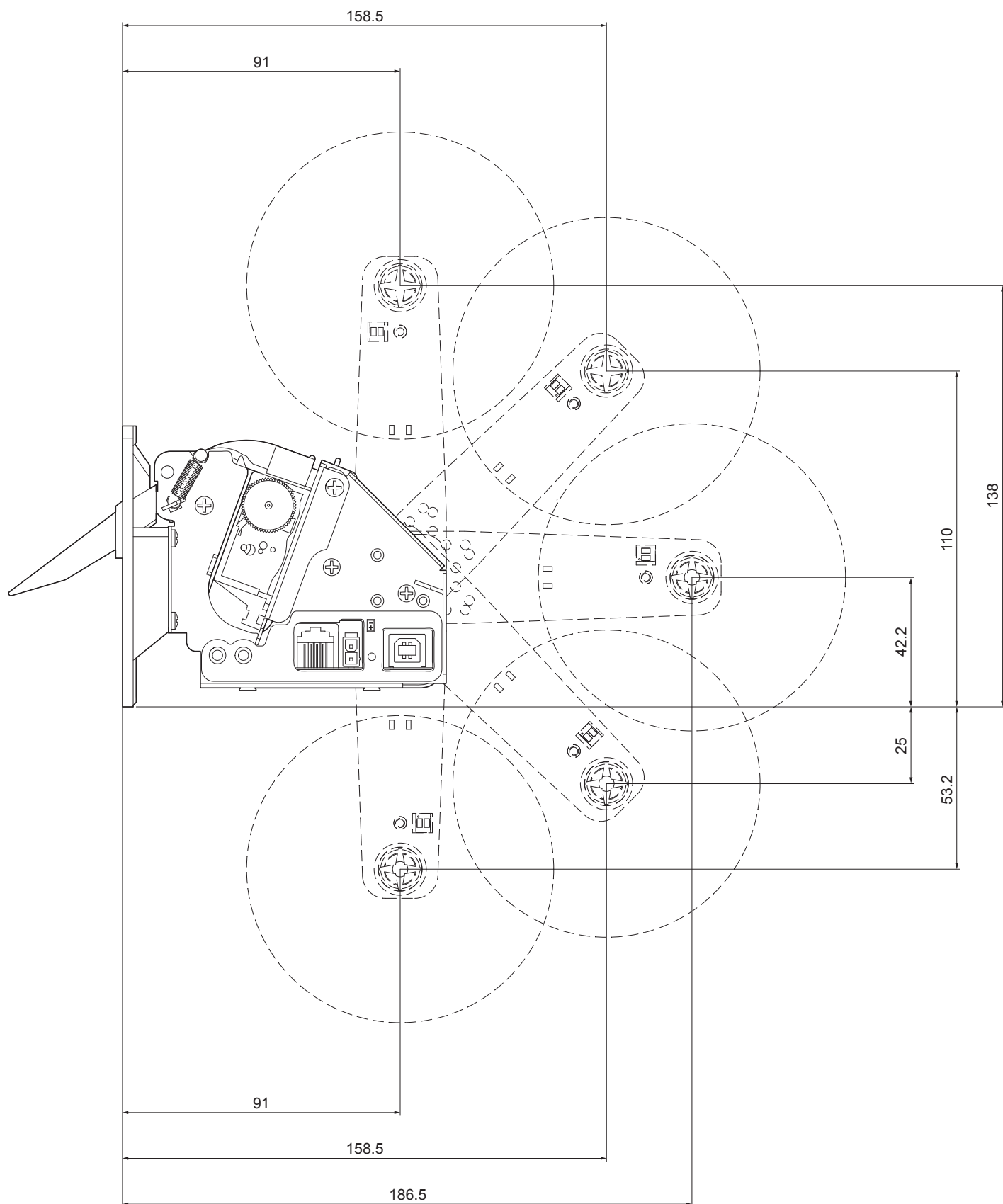


TG1260HIII CUT BP



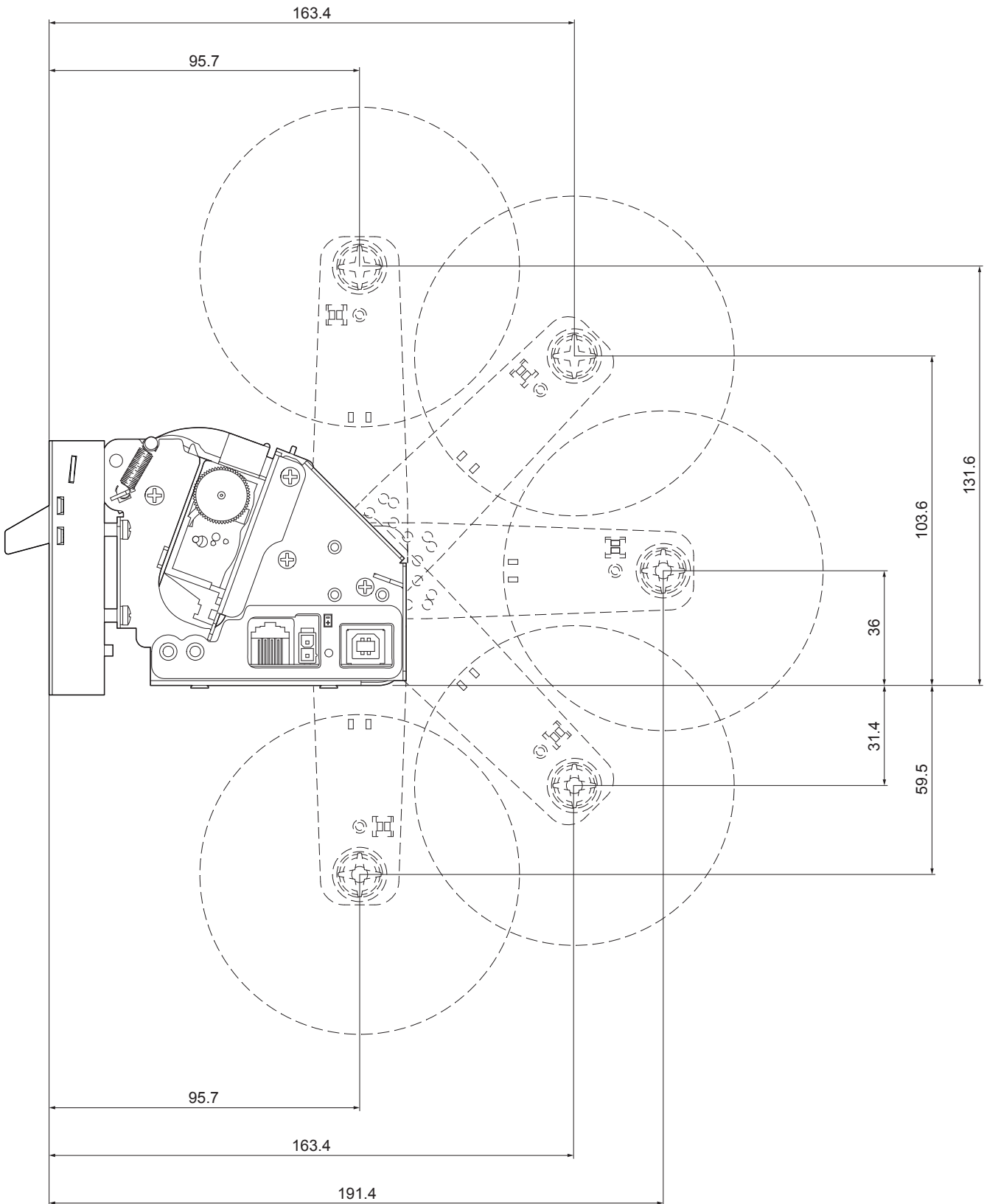


TG1260HIII CHROMED, TG2460HIII CHROMED



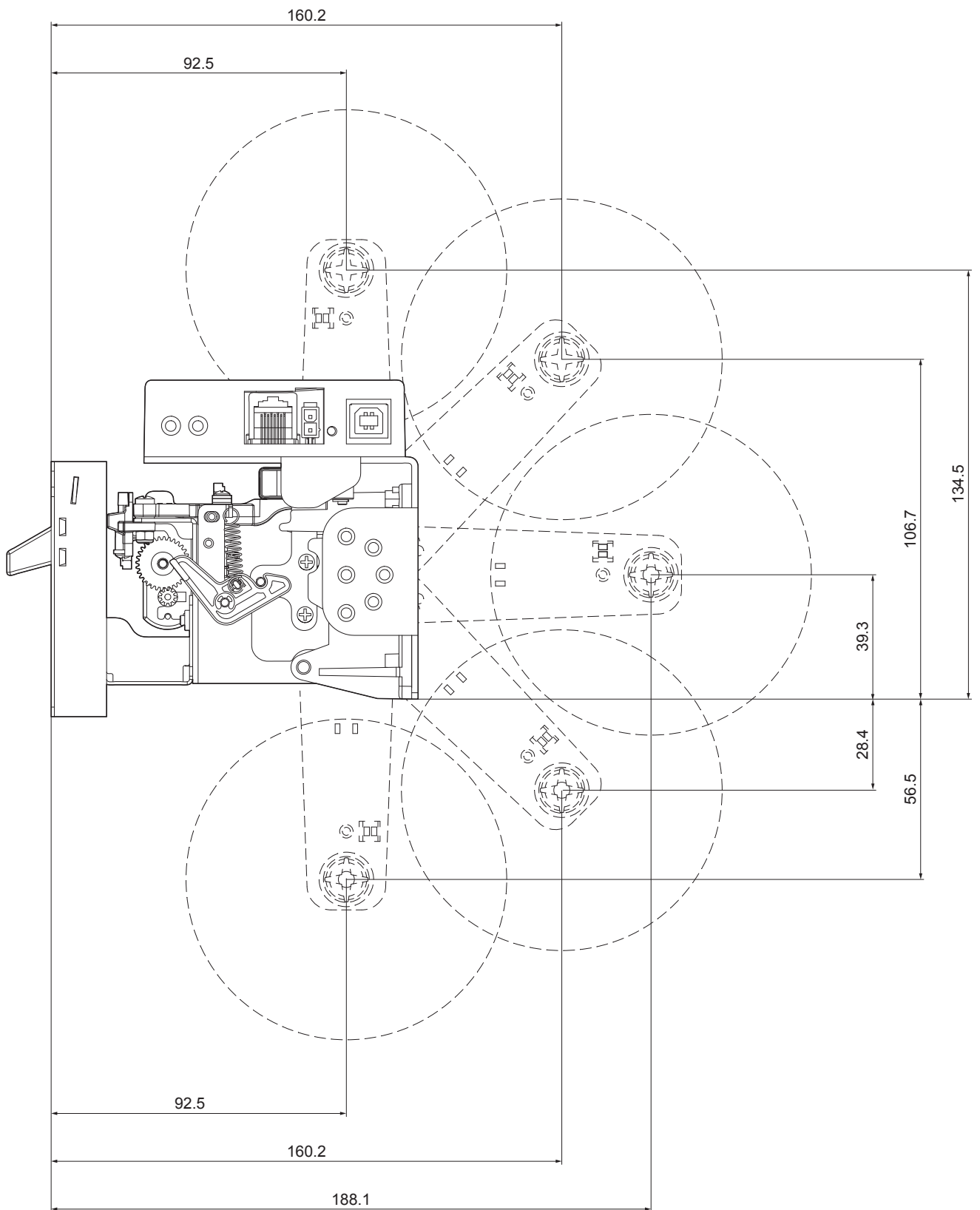


TG2460HIII TRANSP





TG2460HIII EJC





9.5 Power supply and power cord dimensions (optionals)

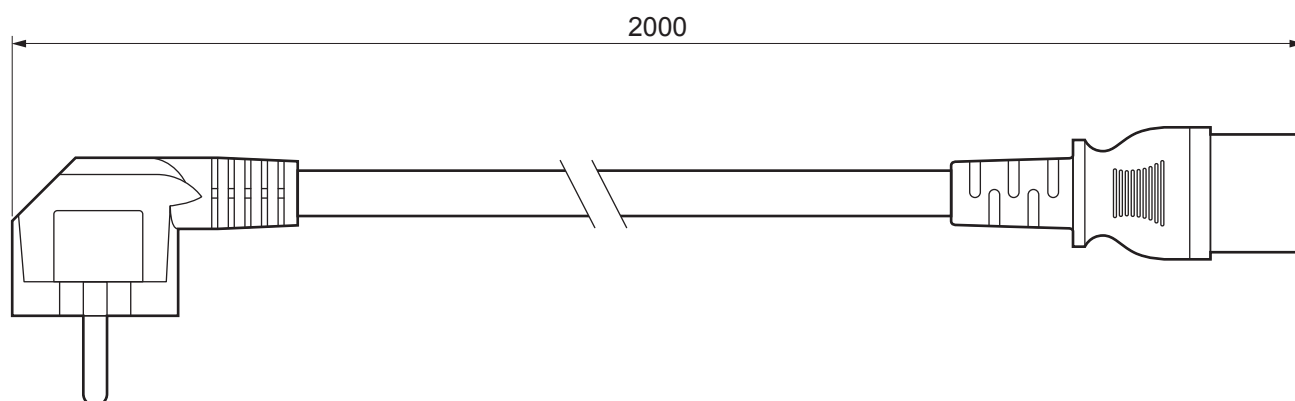
TG2460HIII CHROMED, TG2460HIII TRANSP, TG2460HIII CUT, TG2460HIII EJC

The following table shows the dimensions of the power supply, the power cord and the adapter for power supply optionals for the device.

POWER CORD code 26100000000311	
Length	2000 mm
POWER SUPPLY code 963GE020000053	
Length	127 mm
Height	35.5 mm
Width	56 mm

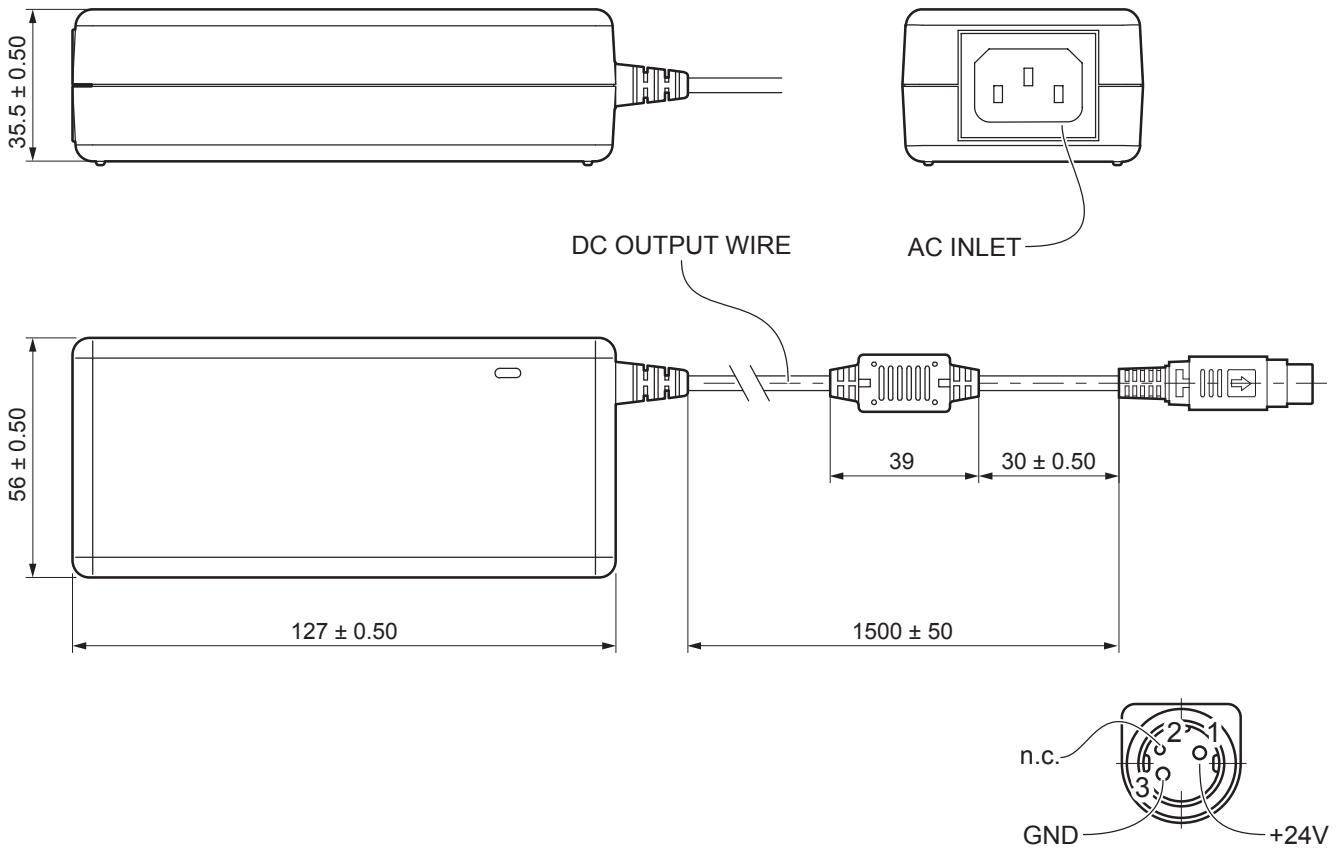
All the dimensions shown in following figures are in millimetres.

POWER CORD code 26100000000311





POWER SUPPLY code 963GE02000053

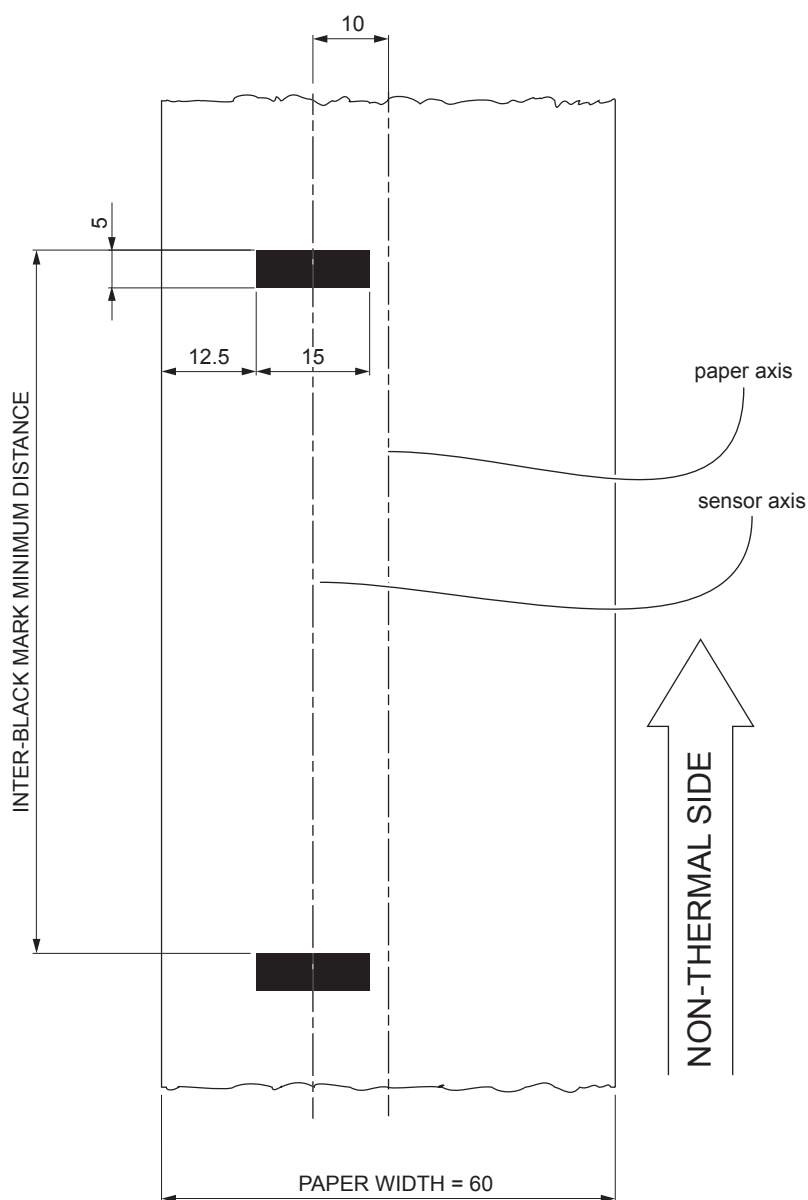


9.6 Paper specification

The following image shows an example of black mark placement on the non-thermal side of paper, where the inter-black mark minimum distance varies by device model according to the table.

TG1260HIII CUT, TG2460HIII TRANSP, TG2460HIII CUT	80 mm
TG1260HIII CHROMED, TG2460HIII CHROMED	110 mm
TG1260HIII BP, TG1260HIII CUT BP	70 mm
TG2460HIII EJC	104 mm

All the dimensions shown in the following figure are in millimetres.





9.7 Character sets

The device has 3 fonts of varying width (11, 15 and 20 cpi) which may be related one of the coding tables provided on the device.

To know the coding tables actually present on the device, you need to print the font test (see [paragraph 3.5](#)).

You can set font and coding table by using the commands (see the commands manual of the device) or using the “Code Table” and the “Chars / Inch” parameters during the setup procedure (see [paragraph 6.5](#)).

The following is the full list of coding tables that can be installed on the device.

<CodeTable>	Coding table	
0	PC437 - U.S.A., Standard Europe	
1	Katakana	
2	PC850 - Multilingual	
3	PC860 - Portuguese	
4	PC863 - Canadian/French	
5	PC865 - Nordic	
6	VISCII - Vietnamese Standard Code	
11	PC851 - Greek	on request
12	PC853 - Turkish	on request
13	PC857 - Turkish	
14	PC737 - Greek	
15	ISO8859-7 - Greek	on request
16	WPC1252 - Scandinavian	
17	PC866 - Cyrillic 2	
18	PC852 - Latin 2	
19	PC858 for Euro symbol in position 213	
20	FKU42 - Thai	
21	TIS11 - Thai	on request
26	TIS18 - Thai	on request
30	TCVN_3 - Vietnamese	on request
31	TCVN_3 - Vietnamese	on request
32	PC720 - Arabic	on request
33	WPC775 - Baltic Rim	on request



<CodeTable>	Coding table
34	PC855 - Cyrillic
35	PC861 - Icelandic on request
36	PC862 - Hebrew
37	PC864 - Arabic
38	PC869 - Greek on request
39	ISO8859-2 - Latin 2 on request
40	ISO8859-15 - Latin 9 on request
41	PC1098 - Farsi
42	PC1118 - Lithuanian on request
43	PC1119 - Lithuanian on request
44	PC1125 - Ukrainian
45	WPC1250 - Latin 2
46	WPC1251 - Cyrillic
47	WPC1253 - Greek
48	WPC1254 - Turkish
49	WPC1255 - Hebrew
50	WPC1256 - Arabic
51	WPC1257 - Baltic Rim
52	WPC1258 - Vietnamese
53	KZ1048 - Kazakh on request
255	Space page

10 CONSUMABLES

The following table shows the list of available consumables for device.

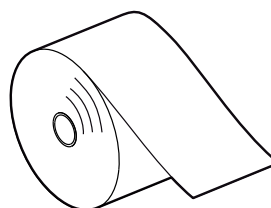
67300000000362

THERMAL PAPER ROLL

Width = 60 mm

Ø external = 80 mm

Ø core = 13 mm





11 ACCESSORIES

The following table shows the list of available accessories for the device.

TG1260HIII CUT, TG1260HIII BP, TG1260HIII CUT BP, TG1260HIII CHROMED

26300000000579

POWER SUPPLY CABLE
Length = 1 m



26500000000356

USB CABLE TYPE A-B
Length = 1.8 m



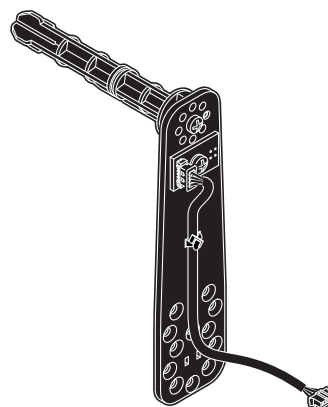
26500000000311

SERIAL CABLE RJ-DB9F
Length = 1.5 m



974CE010000001

PAPER ROLL HOLDER WITH
LOW PAPER SENSOR

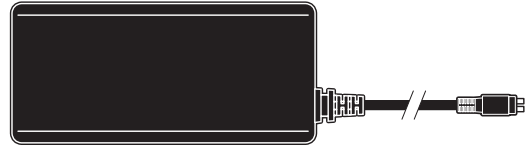




TG2460HIII CHROMED, TG2460HIII TRANSP, TG2460HIII CUT, TG2460HIII EJC

963GE020000053

POWER SUPPLY
(for technical specifications, see [paragraph 9.1](#))



26100000000311

POWER CORD SCHUKO PLUG
length = 2 m
(see [paragraph 9.5](#))



26900000000005

ADAPTER CABLE FOR POWER SUPPLY
length = 200 mm
(see [paragraph 9.5](#))



26500000000356

USB CABLE TYPE A-B
Length = 1.8 m



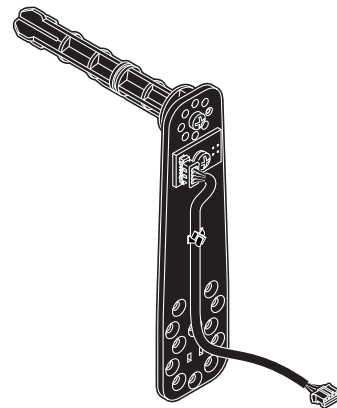
26500000000311

SERIAL CABLE RJ-DB9F
Length = 1.5 m



974CE010000001

PAPER ROLL HOLDER WITH
LOW PAPER SENSOR





12 TECHNICAL SERVICE

In case of failure, contact the technical service accessing the website www.custom4u.it and using the support tools on the homepage. It is advisable to keep the identification data of the product at hand.

The product code, the serial number and the hardware release number can be found on the product label (see [paragraph 3.4](#)). The firmware release number (SCODE) can be found:

- on the setup report (see [paragraph 6.1](#))
- connecting the device to a PC and starting the “PrinterSet” tool (see [paragraph 6.2](#))

CUSTOM[®]

CUSTOM S.p.A.

World Headquarters

Via Berettine, 2/B - 43010 Fontevivo, Parma ITALY

Tel. +39 0521 680111 - Fax +39 0521 610701

info@custom.biz - www.custom.biz

All rights reserved