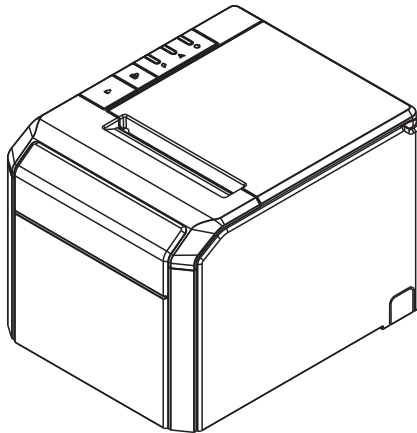


# User's Manual

**EVE-002**

**THERMAL RECEIPT PRINTER**



**Proficient in Commercial POS Receipt Printers**

## 1. Safety Notice:

- \* Don't touch the printer head with anything.
- \* Don't touch the cutter blade.
- \* Don't bend the power cord excessively or place any heavy objects onto it.
- \* Don't use the printer when it is out of order. This can cause a fire or and electrocution.
- \* When connecting or disconnecting the plug, always hold the plug but not the cord.
- \* Keep the desiccant out of children's reach.
- \* Use only approved accessories and do not try to disassemble, repair or remodel it by yourself.
- \* Install the printer on the stable surface. Choose firm, level surface where avoid vibration.
- \* Don't let water or other foreign objects into the printer.
- \* Don't connect a telephone line into the peripheral drive connector.
- \* We recommend that you unplug the printer from the power outlet if no use it for a long period .

## 2. Applications:

- \* POS system Receipts
- \* EFT POS system Receipts
- \* Gym, post, hospital, civil aviation system Receipts
- \* Inquiry, Service system Receipts
- \* Instrument test Receipts
- \* Tax, Tab Receipts

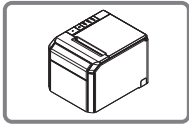
## 3. Unpacking

After unpacking the unit, check that all the necessary accessories are included in the package.

<b>User's Manual</b>	1 PCS
<b>Printer</b>	1 PCS
<b>Data Cable</b>	1 PCS
<b>Power Adapter (include power cord)</b>	1 SET

## 4. Features

- \* Compact size, abundant function
- \* 300mm/sec high-speed printing
- \* Support 2D barcode printing(QRCODE)
- \* High print quality
- \* Low working noise
- \* Support cashdrawer kick-out
- \* Easy maintenance
- \* Various interface available ( Seria+USB+Ethernet)
- \* Built-in data buffer
- \* Support character enlargement, bold, underline, line spacing and character spacing
- \* Support NV images download
- \* Low energy consumption and low operation cost
- \* Compatible with ESC/POS command set
- \* Character per line and character set can be set by DIP switches
- \* Support Ethernet Printing status monitor, multiple connection printing and OPOS printing
- \* Support printer identification, software binding and high-speed driver mode
- \* Support various character sets (include GB18030)
- \* High speed driver printing mode, 66%Improvement in print speed though serial port
- \* Connect and print Faster, stop receipt misprinting
- \* Built in web page to set up printer directly



**Streamlined structure design**



**High-speed Printing**



**Printer Identification**



**Multiple Connection Printing**



**OPOS Driver**



**Various Character Sets**

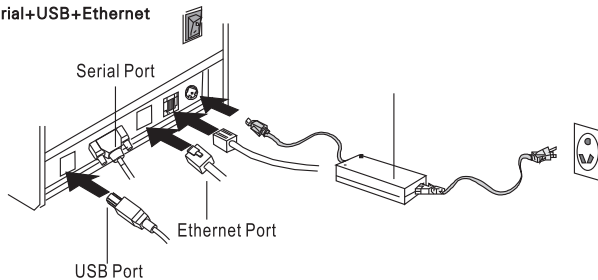
## 5.Specifications

<b>Model</b>	<b>EVE-002</b>
<b>Printing speed</b>	300mm/sec
<b>Paper roll</b>	<b>Paper width:</b> 79.5+0.5mm <b>Max diameter:</b> 83mm
<b>Printing width</b>	72mm/64mm
<b>Dot pitch</b>	576dots / line&512dots / line
<b>Character size</b>	ANK Character, <b>Font A:</b> 12×24dots, <b>Font B:</b> 9×17dots, <b>Chinese:</b> 24×24dots
<b>Print command</b>	Compatible with ESC/POS
<b>Interface</b>	Serial+USB+Ethernet, Parallel+USB
<b>Auto cutter</b>	Partial
<b>Reliability print</b>	150Km
<b>Barcode mode</b>	UPC-A/UPC-E/JAN13(EAN13)/JAN8(EAN8)/CODE39/ ITF/CODABAR/CODE93/CODE128/QRCODE
<b>Paper thickness</b>	0.06~0.08mm
<b>Powersupply</b>	DC 24V/2A
<b>Power adapter</b>	<b>Input:</b> AC110V~220V, 50~60HZ <b>Output:</b> DC 24V/2A
<b>Cash drawer</b>	DC 24V/1A
<b>Work temperature</b>	<b>Temperature:</b> 0~45℃, <b>Dampness:</b> 10~80%
<b>Storage temperature</b>	<b>Temperature:</b> -10~60℃, <b>Dampness:</b> 10~90%
<b>Dimensions</b>	140X 175 X 137mm(W×L×H)

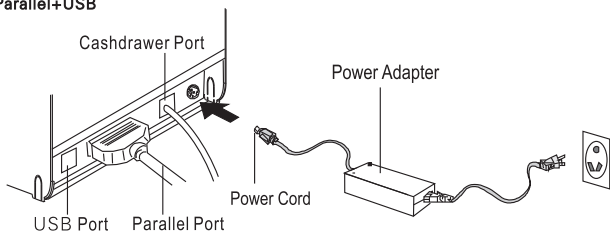
## 6. Printer Connection

- Plug the DC cord connector into the printer's power connector.
- Plug the data cable connector into the printer's interface connector.
- Plug the drawer cable into the drawer kick-out connector on the back of the printer next to the interface connector.

**a: Serial+USB+Ethernet**

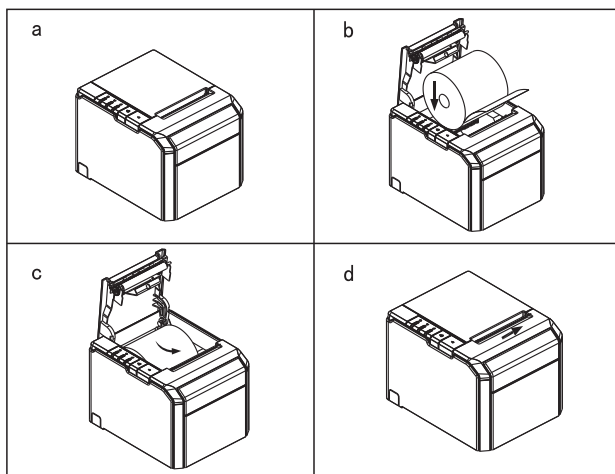


**b: Parallel+USB**



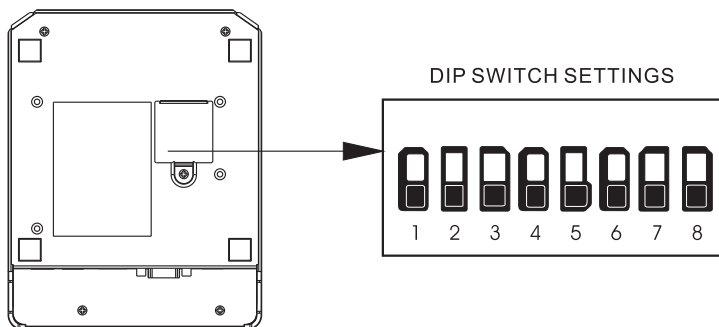
## 7. Installing the roll paper

- Press the button to open the top cover.
- Install the paper roll into the printer.
- Pull out some paper outside the printer and then close the printer cover.
- Close the top cover. Press the printer cover to avoid error position of roll paper.

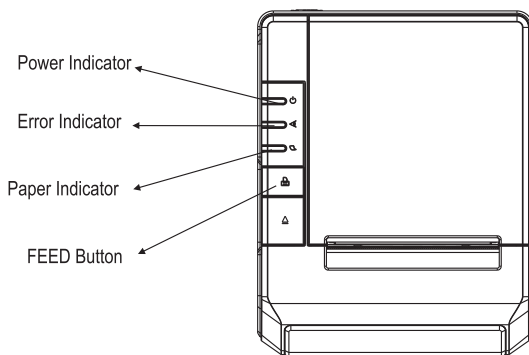


## 8. Setting the Printing Mode (DIP switches)

The DIP switches are used to set the printer to perform various functions, such as cutter mode, character set, speed, beeper, print density and etc.



## 9. Buttons and Indicators



## 10. Functions of buttons and indicators

### (1) . FEED Button

Press to feed paper manually.

### (2) . PAPER Indicator

When this indicator is lighting as well as the ERROR indicator, printer is out of paper.

When this indicator is dim as well as the ERROR indicator, printer has paper.

When this indicator is lighting but the ERROR indicator is dim, roll paper is near end.

### (3) . POWER Indicator

When this indicator lights, the printer is turned on.

When this indicator dims, the printer is turned off.

### (4) . ERROR Indicator

When printer is in the status of paper out, cutter error or print head overheat, this indicator is flashing according to user's defined setting.

## 13. Cutter Maintenance

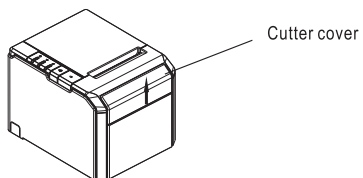
### Step (1)

- a. Turn off then on the printer, the printer will initialize and reset the cutter.

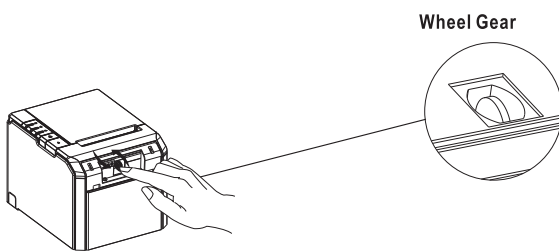
### Step (2)

- a. Open the front cover.
- b. Wheel the gear on the cutter to make the cutter back to initial position. Open the printer cover and install roll paper correctly, then the printer works normally.

**▲ Caution:** Do not open the printer cover by force, so as not to damage the print head and auto cutter.

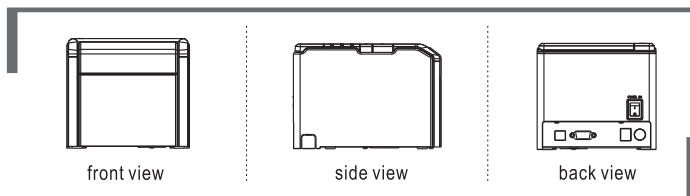


1. Open the cover by the arrow direction



2. Turn the gear to reset the cutter

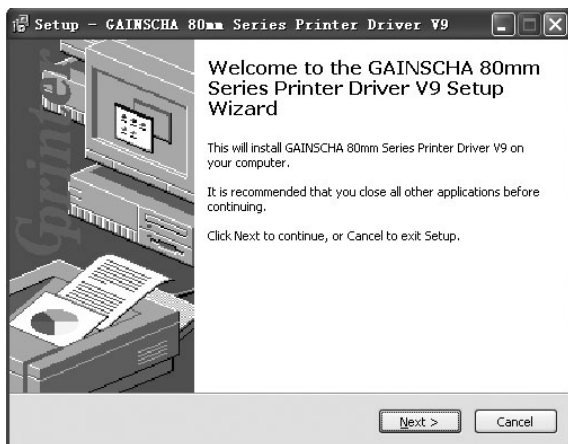
### 11. Printer view



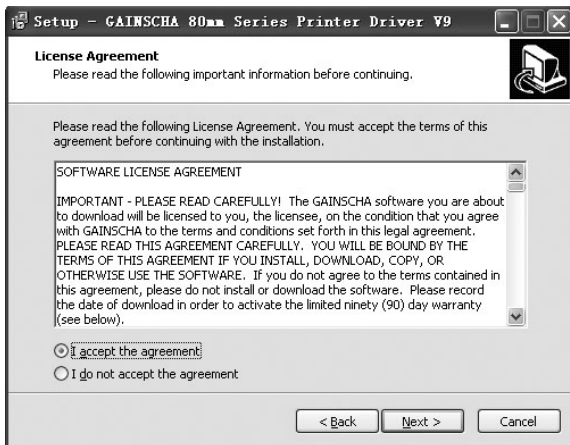


## 12. Driver Setup

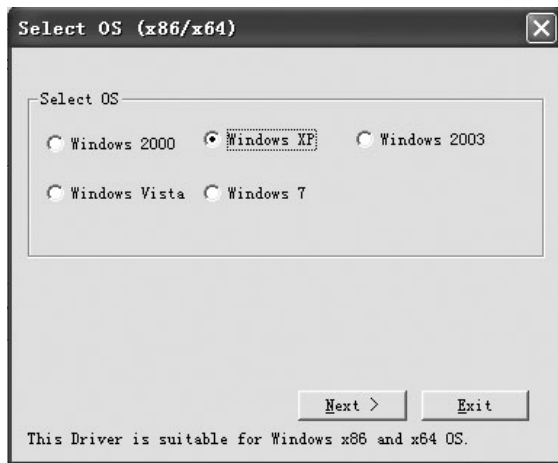
- a. Insert the driver CD disk, run the GP80DRV CN V9 to set up.



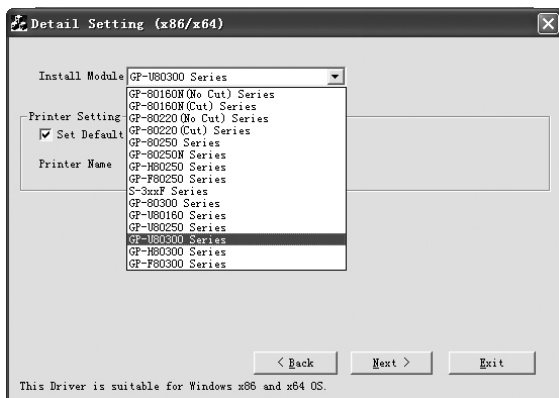
- b. Read and accept the terms to continue the setup



- c. Select the operation system that you're using, then click "next" to continue.



- d. Select GP-U80300 Series to continue.



e. Select the corresponding printer port.

